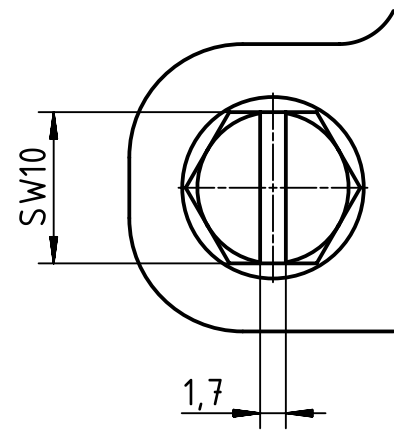


A (2:1)



| | | | | | | | |
|-----------------------------------------------------|----------------------------------------------|-------------------------------------|------------------------|----------------------|----------------------------|----------------------------------------------------------|------------------------|
| | All Dimensions in mm Original Size DIN A4 | | Scale 1:2 | Free size tol. | | Ref. | |
| | | | Created by HELLMANN | Inspected by GERB | Standardisation RUETERA | Date 2018-11-27 | State Final Release |
| All rights reserved Department EL PD | | Title Han 10HPR-HSE-Pg21-Screw lock | | | | Doc-Key / ECM-Nr. 100206551/UGD/004/B 500000143270 | |
| HARTING Electric GmbH & Co. KG D-32339 Espelkamp | | Type TB | Number 09 40 010 0512 | | | Rev. B | Page 1/1 |