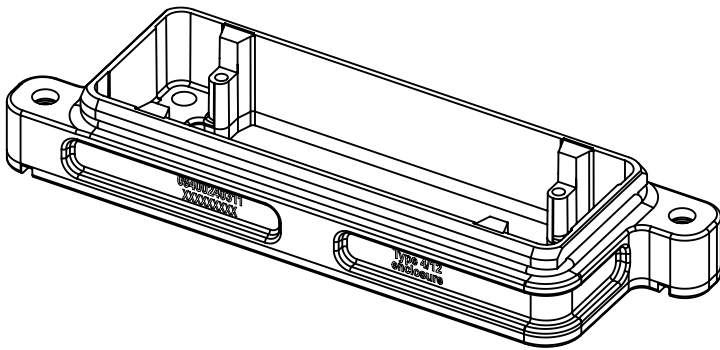
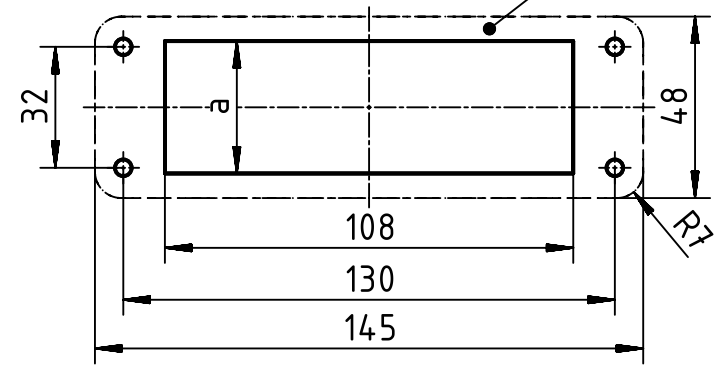


panel cut out for EMC features, conductive surface



|                 |      |
|-----------------|------|
| application     | a    |
| standard insert | 35   |
| HC-Modular 650  | 44,5 |

|   |  |   |                        |                          |                             |  |                        |
|---|--|---|------------------------|--------------------------|-----------------------------|--|------------------------|
|   | All Dimensions in mm<br>Original Size DIN A4 |   | Scale<br>1:2           | Free size tol.           |                             | Ref.   |                        |
|   | All rights reserved<br>Department EL PD - DE |   | Created by<br>HELLMANN | Inspected by<br>BERGHORN | Standardisation<br>TIEMANNA | Date<br>2018-07-03                                       | State<br>Final Release |
| HARTING Electric GmbH & Co. KG<br>D-32339 Espelkamp |  | Title<br>Han 24HPR Base Panel Screw locking |                        |                          |                             | Doc-Key / ECM-Nr.<br>100217699/UGD/004/D<br>500000136970 |                        |
| Type<br>TB  | Number<br>09 40 024 0311                     |   | Rev.<br>D              |                          | Page<br>1/1                 |  |                        |