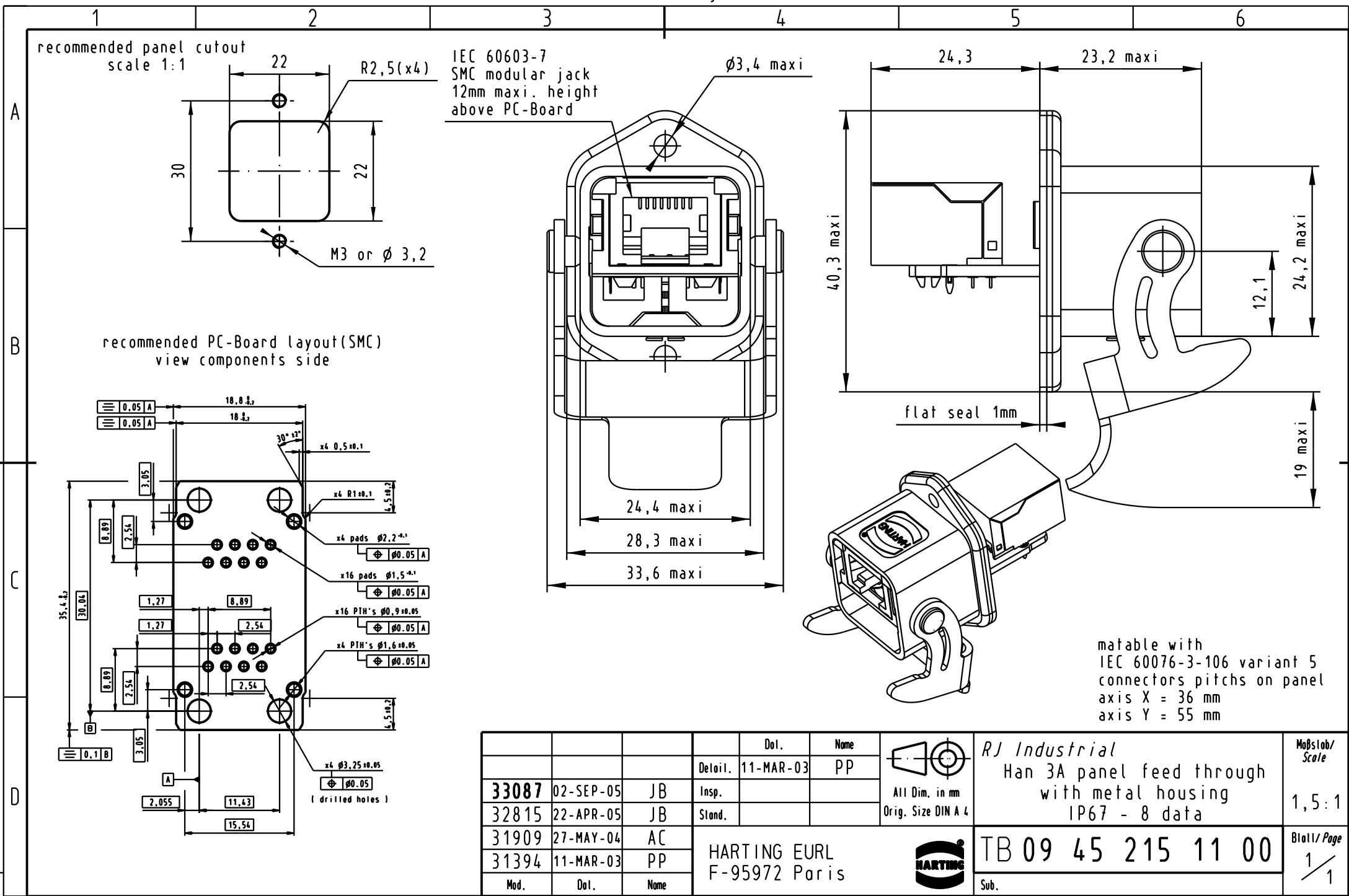
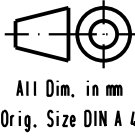



Alle Rechte vorbehalten/ All rights reserved



Mod.	Dat.	Name	Doc.	Name	 All Dim. in mm Orig. Size DIN A 4	RJ Industrial Han 3A panel feed through with metal housing IP67 - 8 data	Moßstab/ Scale
			Detail.	11-MAR-03			PP
33087	02-SEP-05	JB	Insp.				
32815	22-APR-05	JB	Stand.				
31909	27-MAY-04	AC					
31394	11-MAR-03	PP					
			HARTING EURL F-95972 Paris			TB 09 45 215 11 00	Blatt/ Page 1 / 1
						Sub.	



# SCATTERGOOD & JOHNSON LTD

ELECTRICAL ENGINEERING & FLUID CONTROL DISTRIBUTORS

Est.1899

At Scattergood & Johnson Ltd, we pride ourselves on being a technical distributor to specialist industries.

Working with a range of quality product suppliers across a number of specialist markets, we are not your average 'box shifter' - we are your technical and supply chain partner.

We fully support every product we sell - for free! Our internal team and external sales engineers can answer any product or application question, no matter the complexity.

Backing up this technical ability is a range of 50,000+ products available from stock for nationwide next day delivery (same day if required!), or you can collect what you need from any of our trade counters around the UK.

Select your specialist interest below to learn more about how we can help.



Online, In Branch and On the Road - Scattergood & Johnson Ltd, there when you need us.

# [www.scatts.co.uk](http://www.scatts.co.uk)