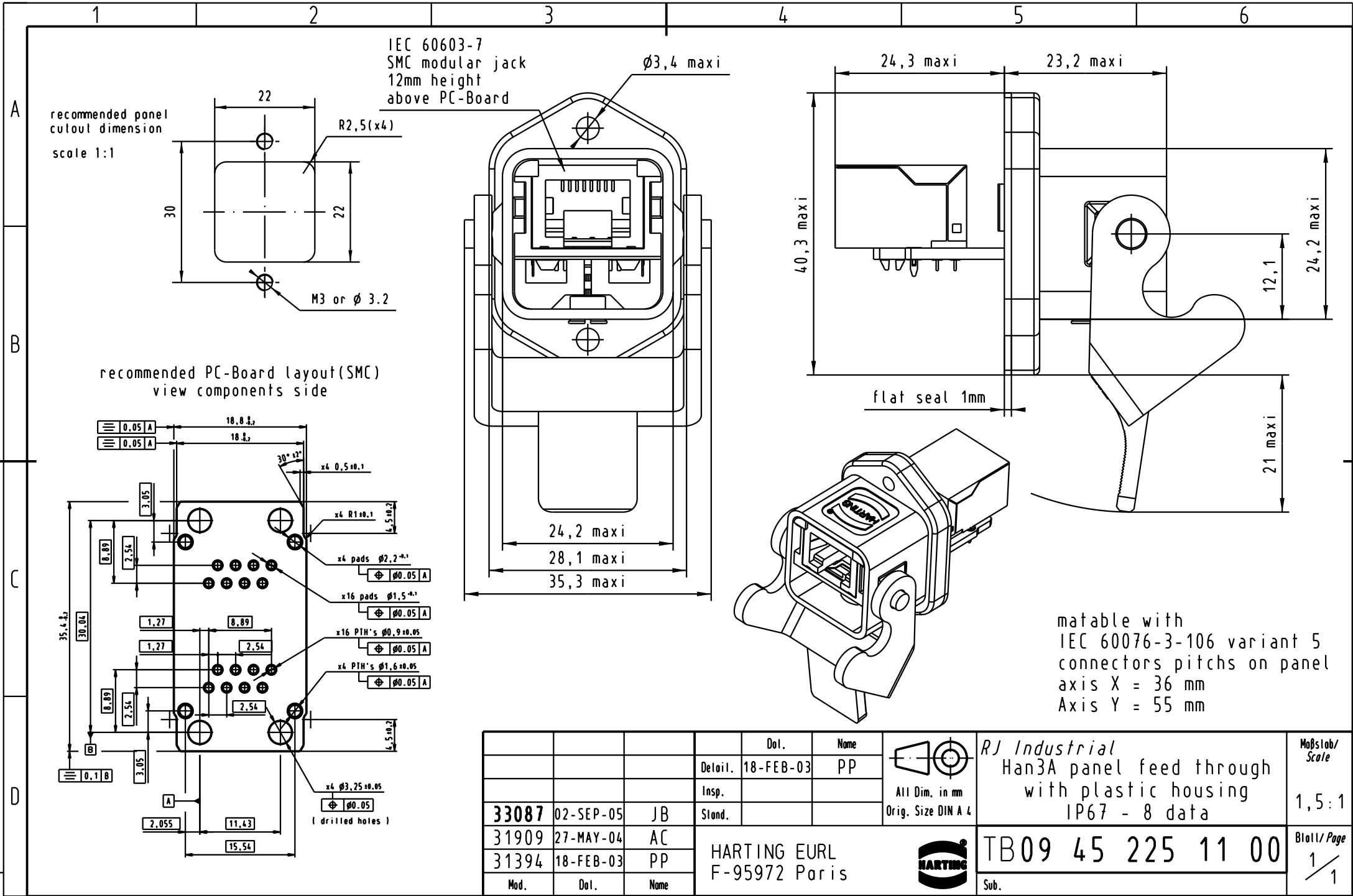


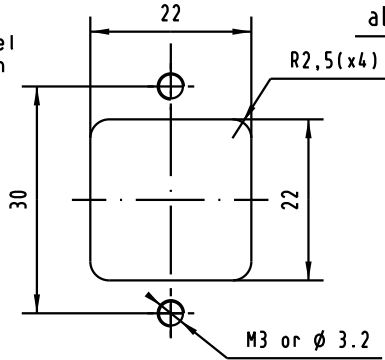
Alle Rechte vorbehalten/ All rights reserved



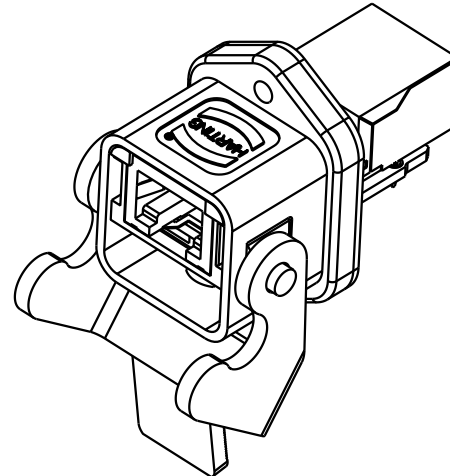
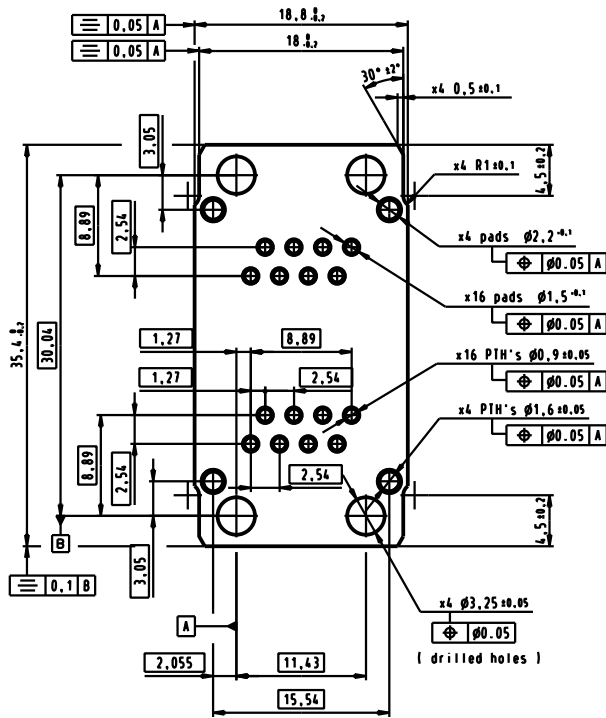
IEC 60603-7
SMC modular jack
12mm height
above PC-Board

∅3,4 maxi



recommended panel
cutout dimension
scale 1:1



recommended PC-Board layout(SMC)
view components side



mateable with
IEC 60076-3-106 variant 5
connectors pitches on panel
axis X = 36 mm
Axis Y = 55 mm

				Doc.	Name	 All Dim. in mm Orig. Size DIN A 4	RJ Industrial Han3A panel feed through with plastic housing IP67 - 8 data	Maßstab/ Scale 1,5:1
			Detail.	18-FEB-03	PP			
			Insp.					
33087	02-SEP-05	JB	Stand.				TB09 45 225 11 00	Blatt/ Page 1 / 1
31909	27-MAY-04	AC						
31394	18-FEB-03	PP						
Mod.	Doc.	Name	HARTING EURL F-95972 Paris			Sub.		



SCATTERGOOD & JOHNSON LTD

ELECTRICAL ENGINEERING & FLUID CONTROL DISTRIBUTORS

Est.1899

At Scattergood & Johnson Ltd, we pride ourselves on being a technical distributor to specialist industries.

Working with a range of quality product suppliers across a number of specialist markets, we are not your average 'box shifter' - we are your technical and supply chain partner.

We fully support every product we sell - for free! Our internal team and external sales engineers can answer any product or application question, no matter the complexity.

Backing up this technical ability is a range of 50,000+ products available from stock for nationwide next day delivery (same day if required!), or you can collect what you need from any of our trade counters around the UK.

Select your specialist interest below to learn more about how we can help.



Online, In Branch and On the Road - Scattergood & Johnson Ltd, there when you need us.

www.scatts.co.uk