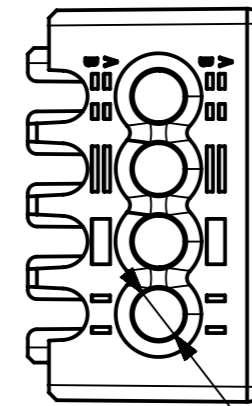
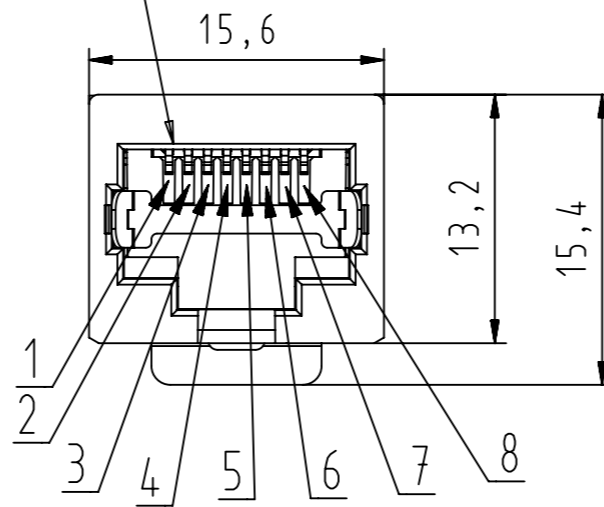
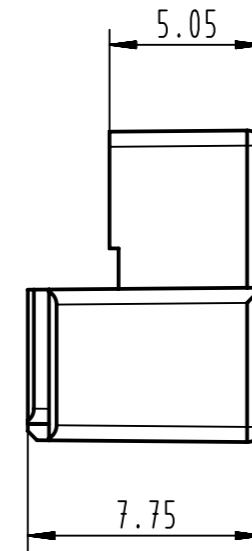
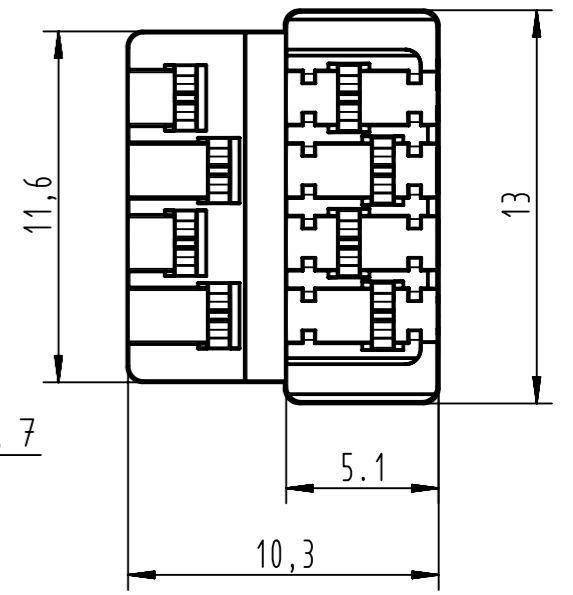


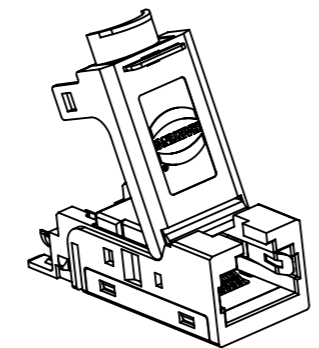
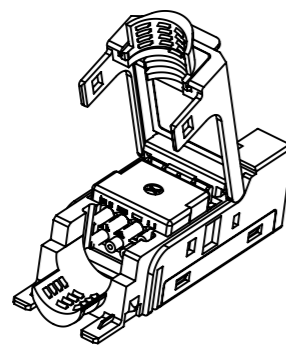
RJ45 mating face according to IEC 60603-7



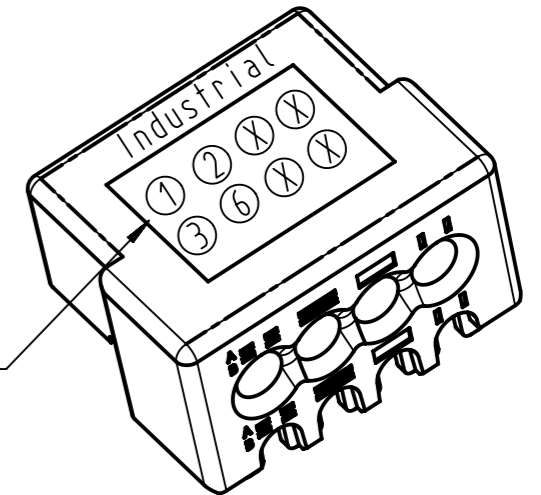
Ø 1,7



WIRE MANAGER (4:1)



Sticker with Industrial color code



	All Dimensions in mm Original Size DIN A3		Scale 2.5:1	Free size tol.		Ref. Sub.
	All rights reserved Department EC PD - FR		Created by BARLEMONT	Inspected by DAUCHELLE	Standardisation HOFFMANN	Date 2013-04-23
HARTING Electronics GmbH D-32339 Espelkamp		Title RJ1 RJ45 10G Cat.6, 8p jack IDC AWG24-22			Doc-Key / ECM-Nr. 100229920/UGD/005/C 50000061371	
		Type TB	Number 09455451562		Rev. C	Page 1/1