

1 2 3 4 5 6

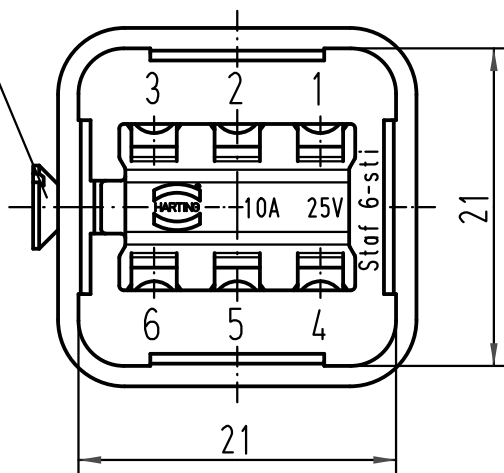
A

B

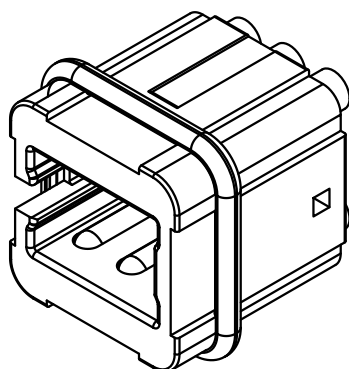
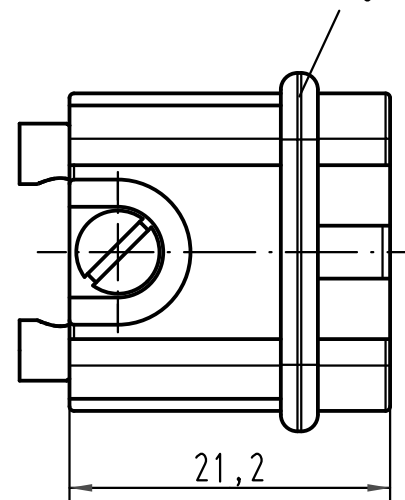
C

D

Befestigungsschraube
insert fixing screw



Dichtung/seal



All Dimensions in mm Original Size DIN A 4			Techn. Character.			Nicht tolerierte Maß/Free size tolerances		
				Dat.	Name	Maßstab/Scale	Staf 6-sti-1 Stifteinsatz/male insert (F)	
414073	14.08.08	Rull	Detail.	04.02.93	ENGLICH			2:1
414050	31.07.08	Rull	Insp.		HERB			
413578	18.01.08	Ho	Stand.					
410629	28.11.03	ML	HARTING Electric GmbH & Co. KG D-32339 Espelkamp				TB 09 70 006 2615	
30494	13.03.02	DY						
Mod.	Dat.	Name					Blatt/page	
						Sub.	TB 09 70 006 2615 v.19.05.71	



SCATTERGOOD & JOHNSON LTD

ELECTRICAL ENGINEERING & FLUID CONTROL DISTRIBUTORS

Est.1899

At Scattergood & Johnson Ltd, we pride ourselves on being a technical distributor to specialist industries.

Working with a range of quality product suppliers across a number of specialist markets, we are not your average 'box shifter' - we are your technical and supply chain partner.

We fully support every product we sell - for free! Our internal team and external sales engineers can answer any product or application question, no matter the complexity.

Backing up this technical ability is a range of 50,000+ products available from stock for nationwide next day delivery (same day if required!), or you can collect what you need from any of our trade counters around the UK.

Select your specialist interest below to learn more about how we can help.



Online, In Branch and On the Road - Scattergood & Johnson Ltd, there when you need us.

www.scatts.co.uk