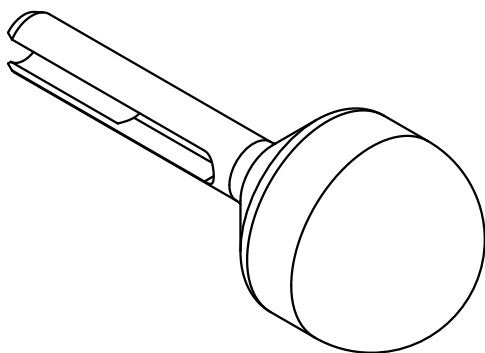
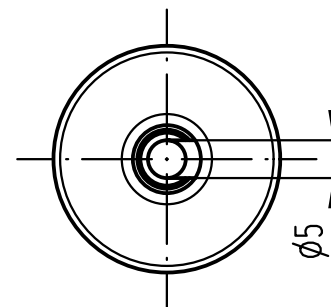
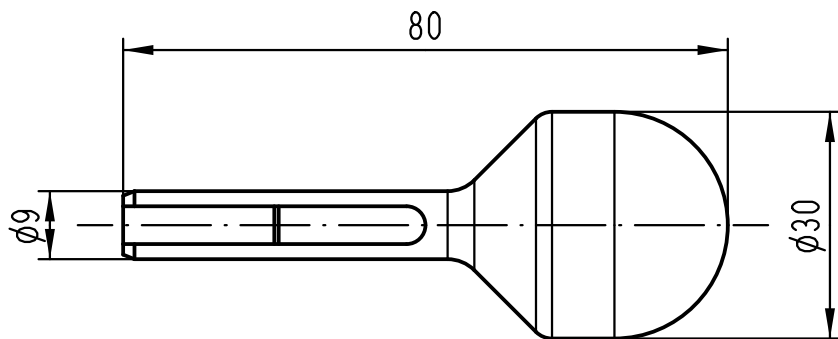


Alle Rechte vorbehalten/ All rights reserved



		All Dimensions in mm Original Size DIN A 4		Techn. Character.		Nicht tolerierte Masse/ Free size tolerances	
				Dat. 04.08.11	Name ML	Maßstab/ Scale 1:1	Demontagewerkzeug/ <i>removal tool</i> Han HV-Modul 2,5kV
				Insp.	Bei		
				Stand.			
B	17.04.12	ML	HARTING Electric GmbH & Co. KG D-32339 Espelkamp				TB 09 99 000 0335
A			Mod.	Dat.	Name	Sub.	

Blatt/ page



# SCATTERGOOD & JOHNSON LTD

ELECTRICAL ENGINEERING & FLUID CONTROL DISTRIBUTORS

Est.1899

At Scattergood & Johnson Ltd, we pride ourselves on being a technical distributor to specialist industries.

Working with a range of quality product suppliers across a number of specialist markets, we are not your average 'box shifter' - we are your technical and supply chain partner.

We fully support every product we sell - for free! Our internal team and external sales engineers can answer any product or application question, no matter the complexity.

Backing up this technical ability is a range of 50,000+ products available from stock for nationwide next day delivery (same day if required!), or you can collect what you need from any of our trade counters around the UK.

Select your specialist interest below to learn more about how we can help.



Online, In Branch and On the Road - Scattergood & Johnson Ltd, there when you need us.

# [www.scatts.co.uk](http://www.scatts.co.uk)