

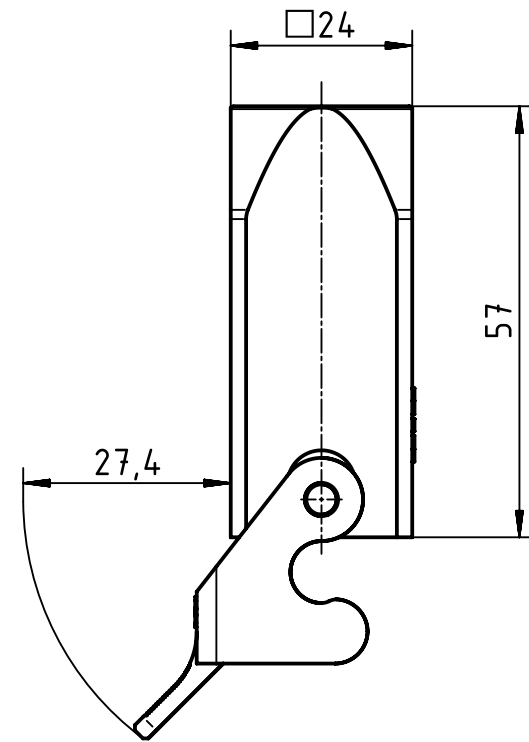
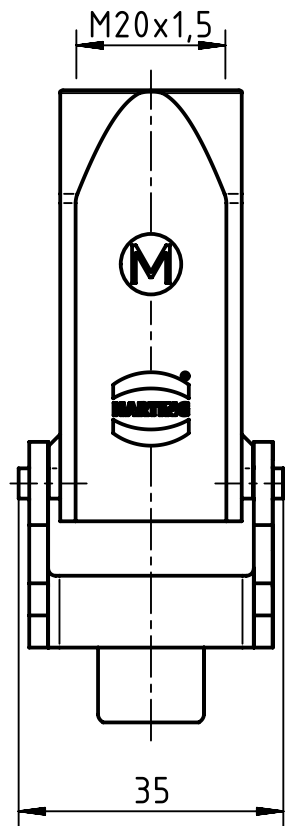
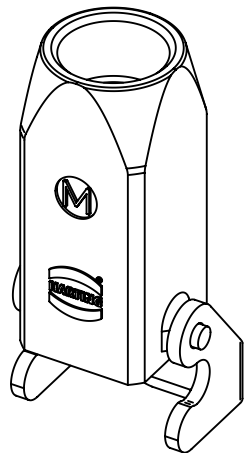
1 2 3 4 5 6

A

B

C

D



	All Dimensions in mm Original Size DIN A4		Scale 1:1	Free size tol.		Ref.
						Sub.
	All rights reserved		Created by SERBANA	Inspected by PRIESTER	Standardisation TIEMANNA	Date 2018-02-05
	Department EL PD - DE					State Final Release
HARTING Electric GmbH & Co. KG D-32339 Espelkamp			Title Han A Hood Coupler Thermoplastic M20			Doc-Key / ECM-Nr. 100197910/UGD/004/A 500000129280
			Type TB	Number 19 20 003 0720		Rev. A
						Page 1/1