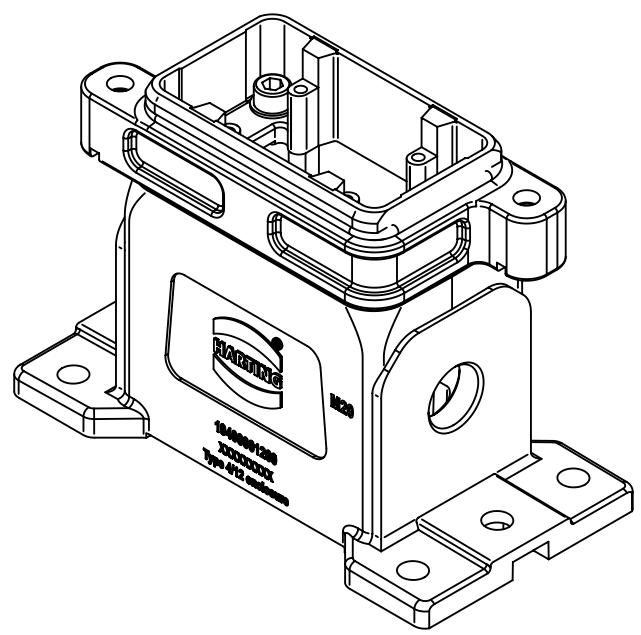
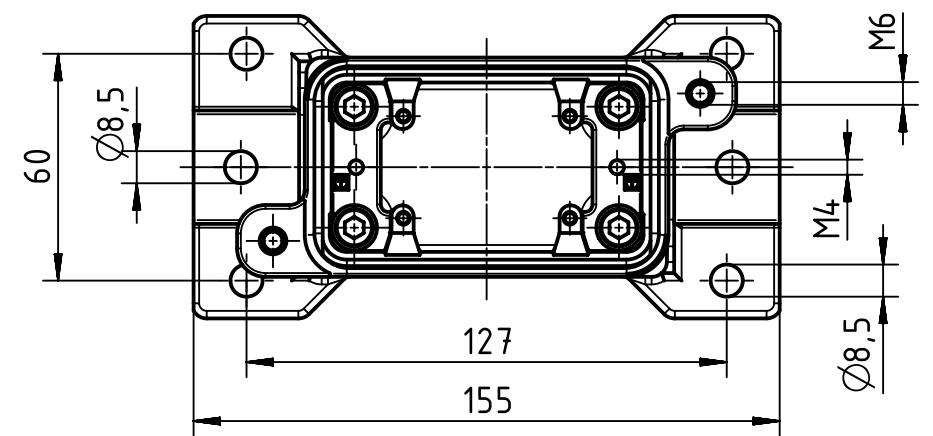
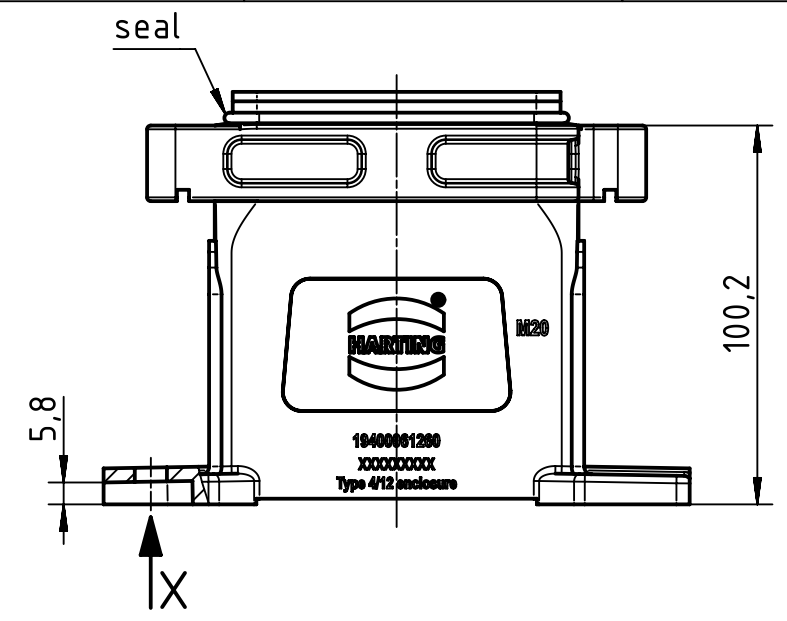
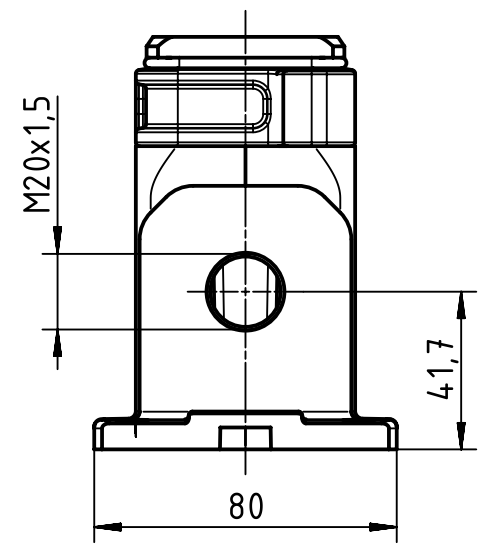
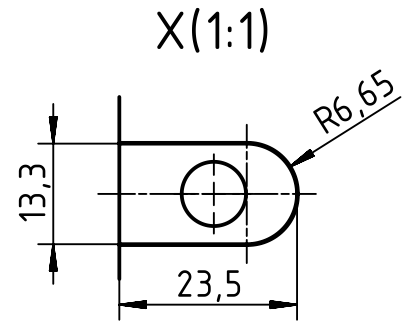


1 2 3 4 5 6

A  
B  
C  
D



	All Dimensions in mm Original Size DIN A4		Scale 1:2	Free size tol.		Ref.	
			Created by GERB	Inspected by BERGHORN	Standardisation TIEMANNA	Date 2016-09-20	
All rights reserved Department EL PD - DE		Title <b>Han 6HPR-asm1-SV-M20</b>		State Final Release		Doc-Key / ECM-Nr. 100185587/UGD/005/D 500000108625	
HARTING Electric GmbH & Co. KG D-32339 Espelkamp		Type TB	Number 19 40 006 1260			Rev. D	Page 1/1