

Alle Rechte vorbehalten/ All rights reserved

1 2 3 4 5 6

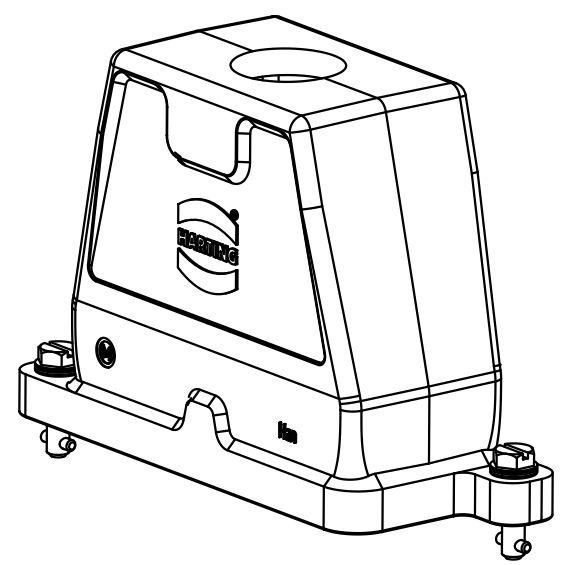
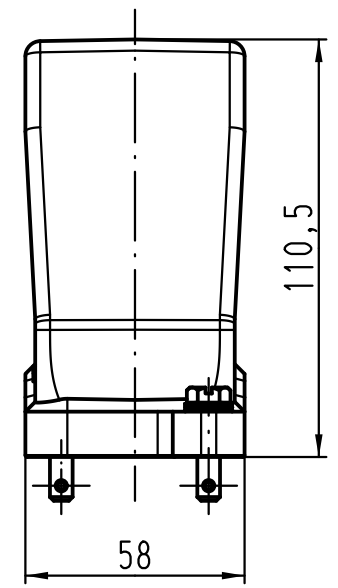
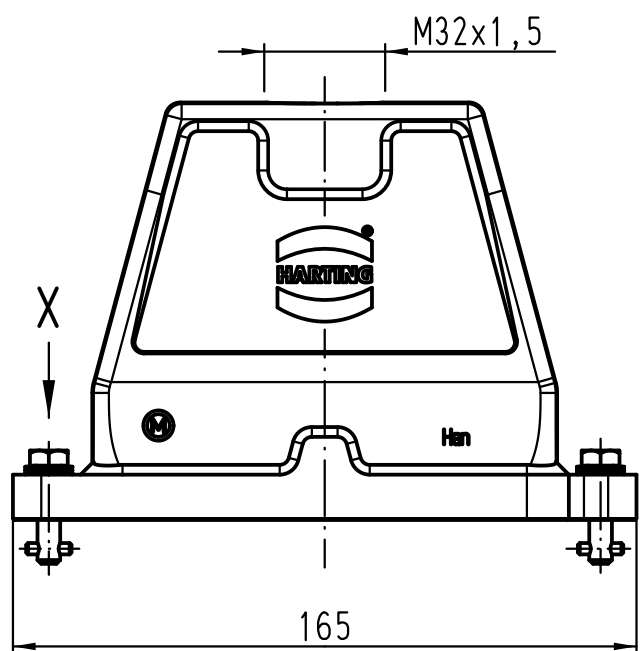
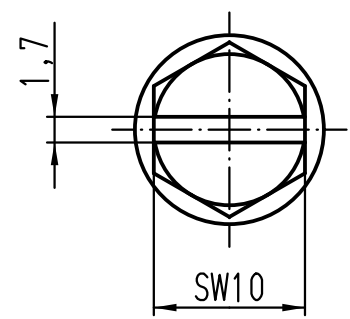
A

B

C

D

X(2:1)



All Dimensions in mm Original Size DIN A 4			Techn. Character.			Nicht tolerierte Maß/Free size tolerances		
				Dat.	Name	Maßstab/Scale  1:2	<b>Han 16HPR-gg-KV-M32</b> Gehäuse mit Knebelverschluss <i>hood with toggle locking system</i>	
			Detail.	05.11.08	Bor			
			Insp.		Be			
			Stand.					
B	20.05.11	ML	HARTING Electric GmbH & Co. KG				<b>TB 19 40 016 0402</b>	
A			D-32339 Espelkamp					
Mod.	Dat.	Name						
							Sub.	Blatt/page



# SCATTERGOOD & JOHNSON LTD

ELECTRICAL ENGINEERING & FLUID CONTROL DISTRIBUTORS

Est.1899

At Scattergood & Johnson Ltd, we pride ourselves on being a technical distributor to specialist industries.

Working with a range of quality product suppliers across a number of specialist markets, we are not your average 'box shifter' - we are your technical and supply chain partner.

We fully support every product we sell - for free! Our internal team and external sales engineers can answer any product or application question, no matter the complexity.

Backing up this technical ability is a range of 50,000+ products available from stock for nationwide next day delivery (same day if required!), or you can collect what you need from any of our trade counters around the UK.

Select your specialist interest below to learn more about how we can help.



Online, In Branch and On the Road - Scattergood & Johnson Ltd, there when you need us.

# [www.scatts.co.uk](http://www.scatts.co.uk)