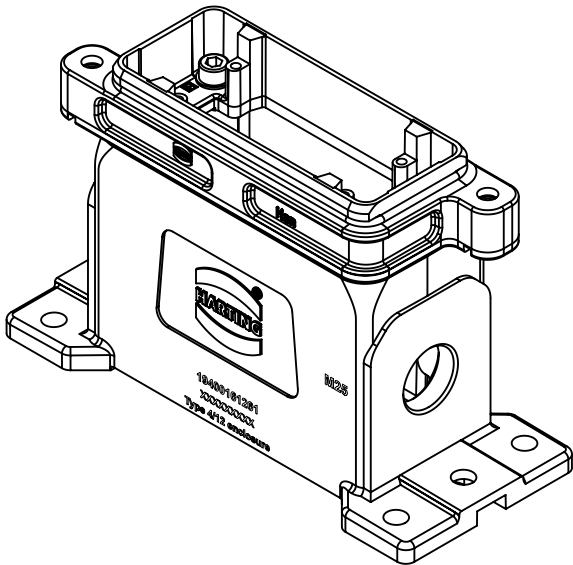
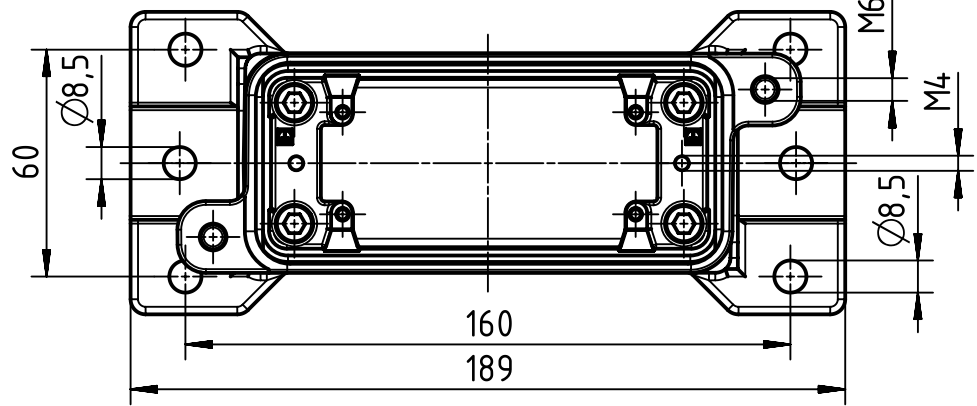
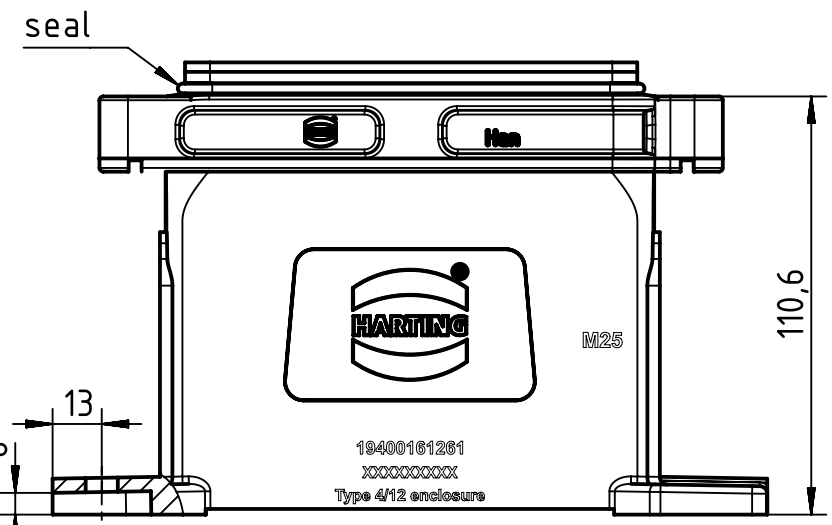
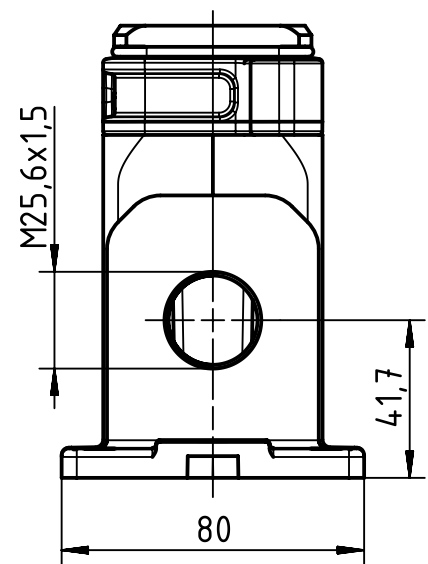
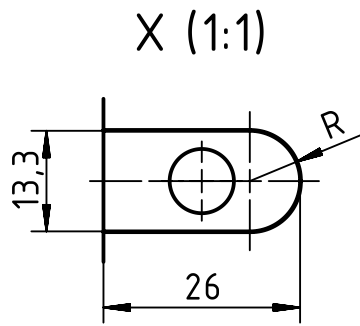


1 2 3 4 5 6

A
B
C
D



	All Dimensions in mm Original Size DIN A4		Scale 1:2	Free size tol.		Ref.
			Created by SPRENB	Inspected by GERB	Standardisation TIEMANNA	Sub.
All rights reserved Department EL PD		Title Han 16HPR-asg1-SV-M25		Date 2019-06-12		State Final Release
HARTING Electric GmbH & Co. KG D-32339 Espelkamp		Type TB		Number 19 40 016 1261		Doc-Key / ECM-Nr. 100126155/UGD/005/C 500000151860
					Rev. C	Page 1/1