

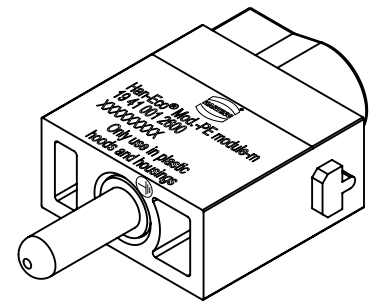
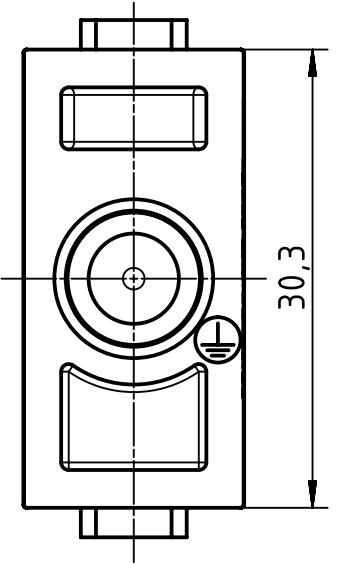
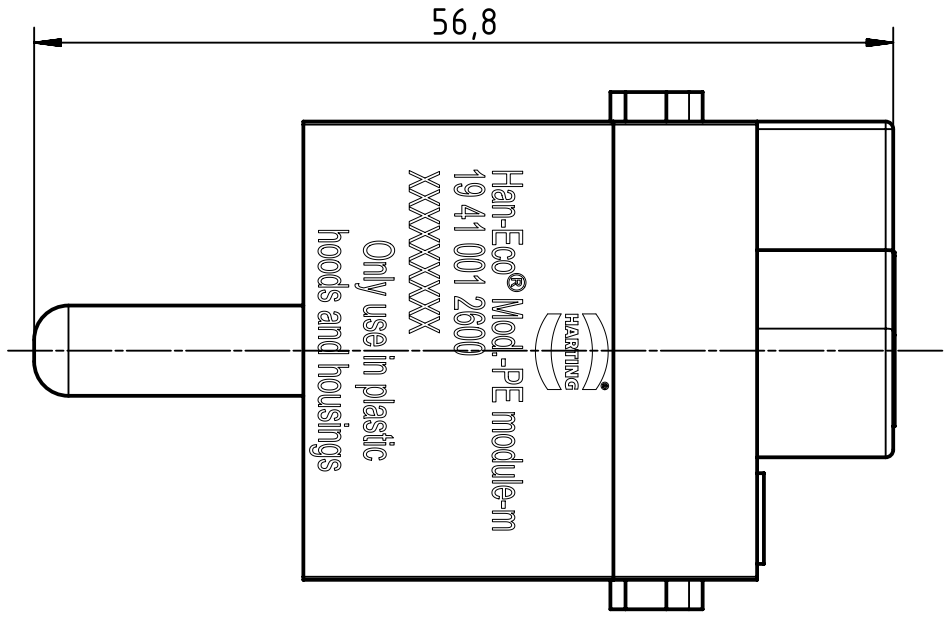
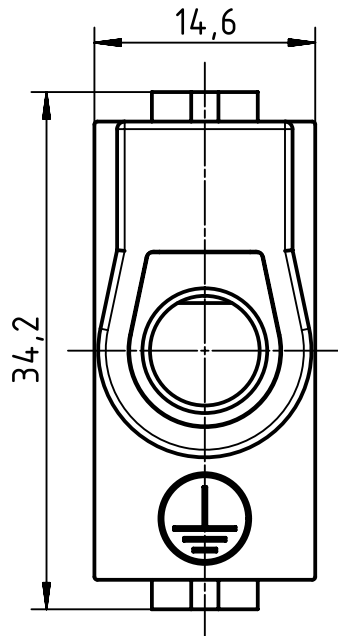
1 2 3 4 5 6

A


B

C

D



wire gauge		tightening torque	stripping length
1,5mm ²	AWG 16	1,2Nm	14mm
2,5mm ²	AWG 14	2Nm	14mm
4mm ²	AWG 12	3Nm	14mm
6mm ²	AWG 10	3Nm	14mm
10mm ²	AWG 8	3Nm	14mm
16mm ²	AWG 6	3Nm	14mm

	All rights reserved Department EL PD	All Dimensions in mm Original Size DIN A4	Scale 2:1	Free size tol.		Ref. Sub.
	HARTING Electric GmbH & Co. KG D-32339 Espelkamp	Created by SPRENB	Inspected by RIEPE	Standardisation RUETERA	Date 2020-01-20	State Final Release
Title Han-Eco Mod.-PE module-m 16-6 AWG					Doc-Key / ECM-Nr. 100186331/UGD/005/F 500000164659	
Type TB			Number 19 41 001 2600		Rev. F	Page 1/1