

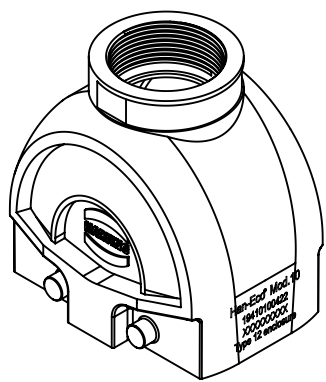
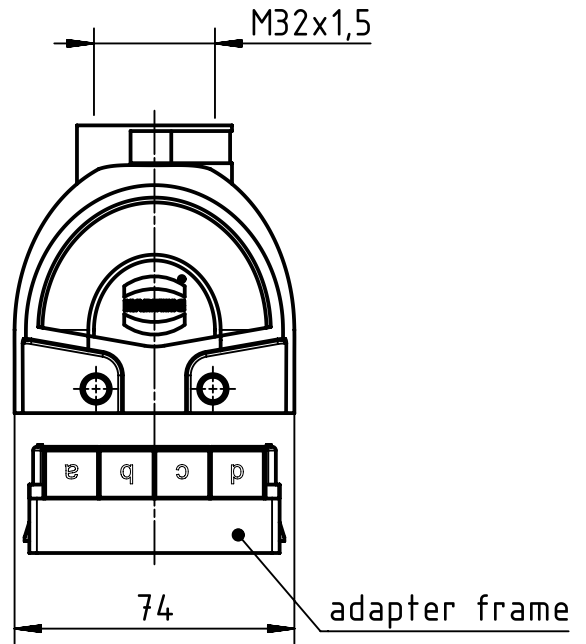
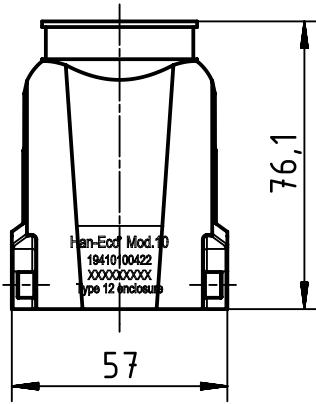
1 2 3 4 5 6

A

B

C

D



	All Dimensions in mm Original Size DIN A4		Scale 1:2	Free size tol.		Ref.	
			Created by SPRENB	Inspected by GERB	Standardisation GARSKE	Date 2020-02-17	State Final Release
All rights reserved Department EL PD		Title Han-Eco 10B-HTE-M32				Doc-Key / ECM-Nr. 100186832/UGD/006/C 500000166802	
HARTING Electric GmbH & Co. KG D-32339 Espelkamp		Type TB	Number 19 41 010 0422			Rev. C	Page 1/1