

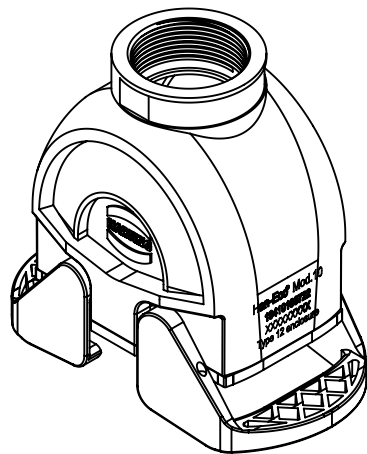
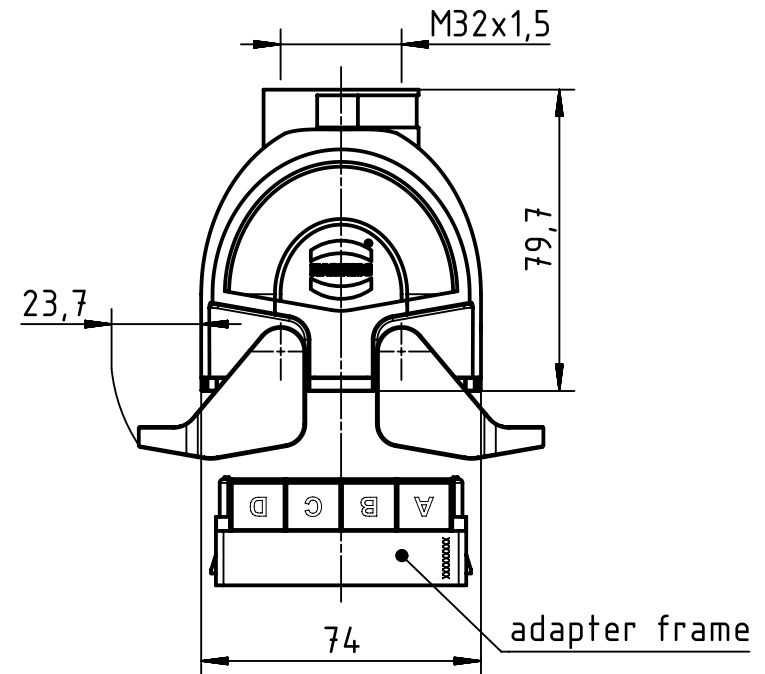
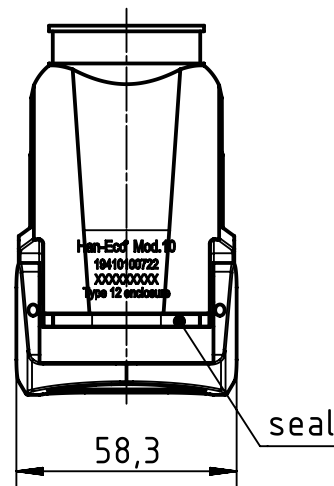
1 2 3 4 5 6


A

B

C

D



	All rights reserved		Created by HELLMANN		Inspected by BERGHORN		Standardisation SCHMIDTM		Date 2018-09-11		State Final Release	
	Department EL PD		Title Han-Eco Mod.10-HCC-M32		Number 19 41 010 0722		Doc-Key / ECM-Nr. 100213389/UGD/008/A 500000137848		Rev. A		Page 1/1	
HARTING Electric GmbH & Co. KG D-32339 Espelkamp			All Dimensions in mm Original Size DIN A4		Scale 1:2		Free size tol.		Ref. Sub.			