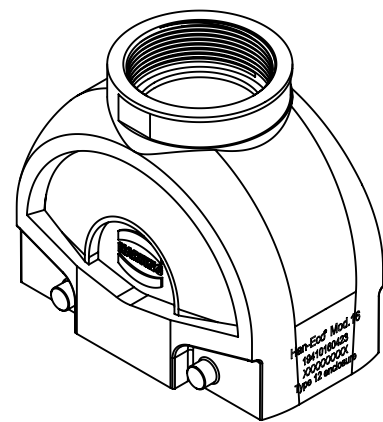
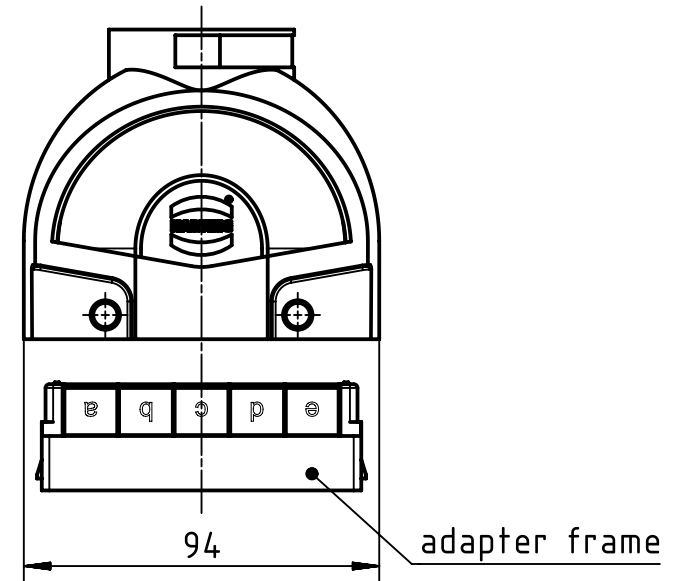
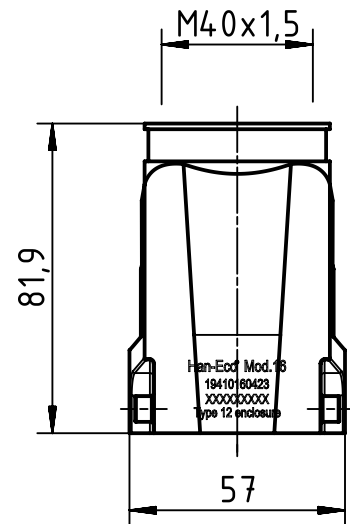


A

B

C

D



	All Dimensions in mm Original Size DIN A4		Scale 1:2	Free size tol.		Ref. Sub. TB 19 41 016 0423 v. 03.11.10	
		All rights reserved	Created by HELLMANN	Inspected by BERGHORN	Standardisation RUETERA	Date 2019-03-19	State Final Release
Department EL PD		Title Han-Eco Mod.16-HTE-M40					Doc-Key / ECM-Nr. 100186834/UGD/006/B 500000146933
HARTING Electric GmbH & Co. KG D-32339 Espelkamp		Type TB	Number 19 41 016 0423			Rev. B	Page 1/1