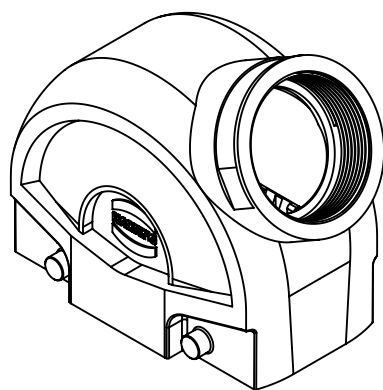
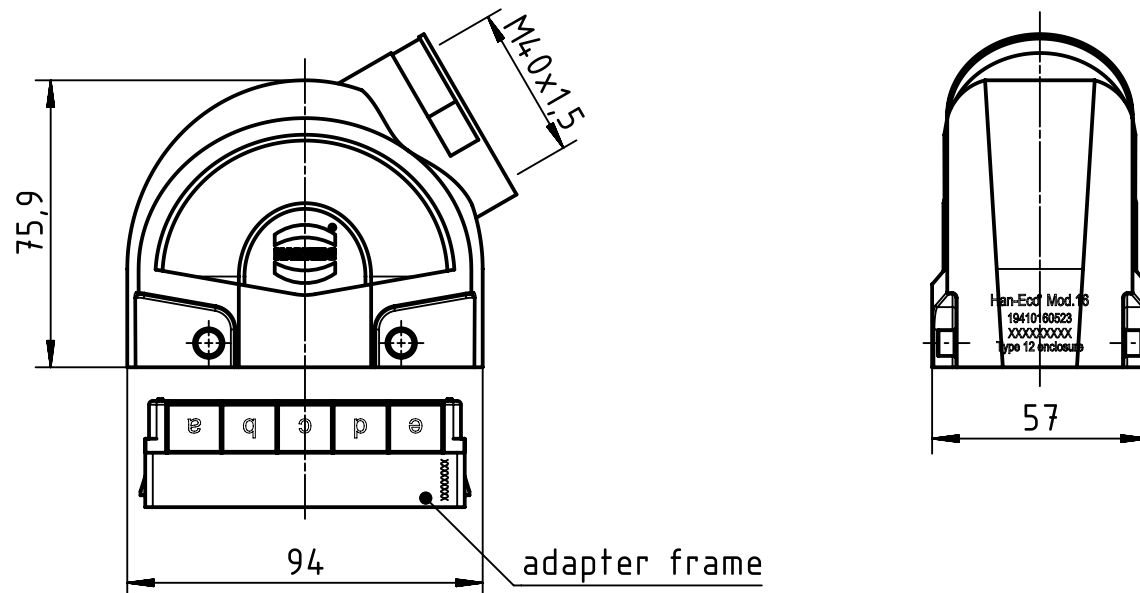


A

B

C

D



	All rights reserved Department EL PD	All Dimensions in mm Original Size DIN A4		Scale 1:2	Free size tol.	Ref.
		HARTING Electric GmbH & Co. KG D-32339 Espelkamp	Created by HELLMANN	Inspected by BERGHORN	Standardisation RUETERA	Date 2019-03-19
Title Han-Eco Mod.16-HSE-M40						Doc-Key / ECM-Nr. 100186831/UGD/006/B 500000146933
Type TB				Number 19 41 016 0523		Rev. B
						Page 1/1