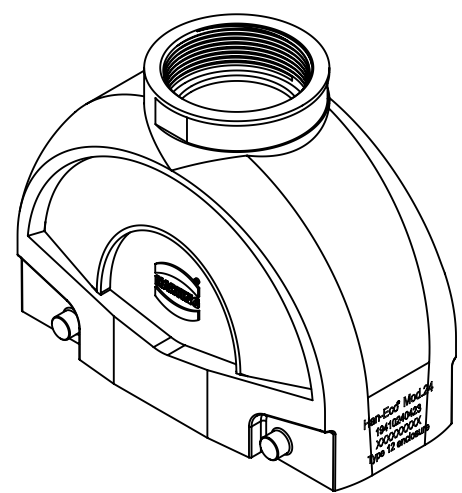
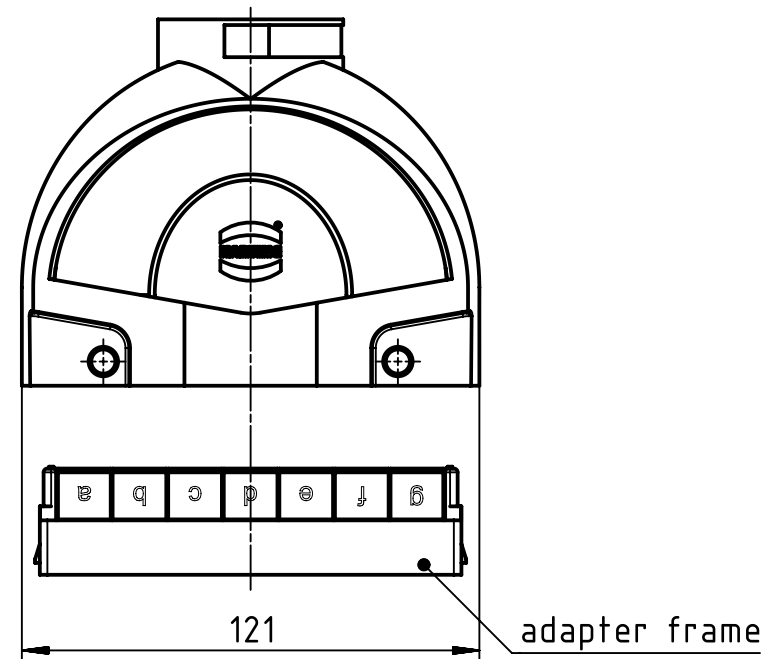
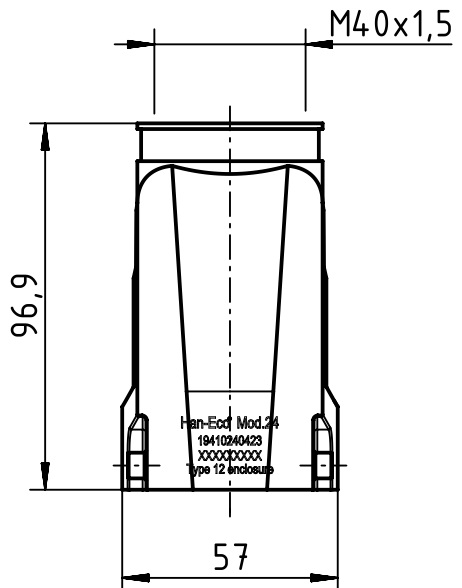




A

B

C

D



	All rights reserved		Created by HELLMANN		Inspected by BERGHORN		Standardisation RUETERA		Date 2019-03-19		State Final Release	
	Department EL PD		Title Han-Eco Mod.24-HTE-M40		Number 19 41 024 0423		Doc-Key / ECM-Nr. 100186828/UGD/006/B 50000014.6933		Rev. B		Page 1/1	
HARTING Electric GmbH & Co. KG D-32339 Espelkamp			Scale 1:2		Free size tol.		Ref.		Sub.			
 All Dimensions in mm Original Size DIN A4												