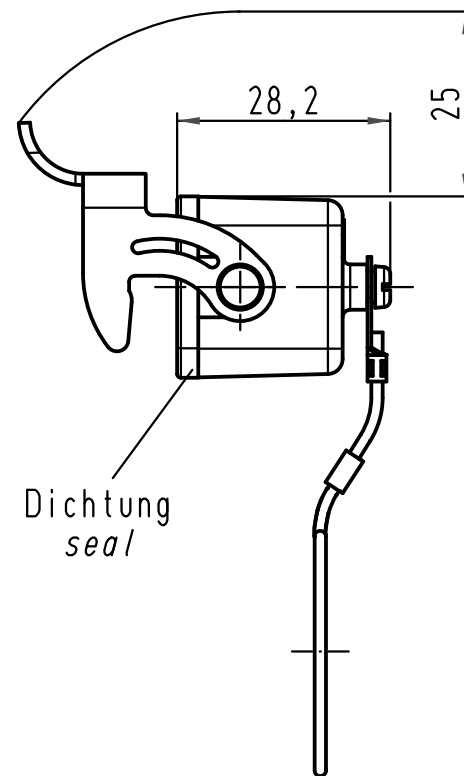
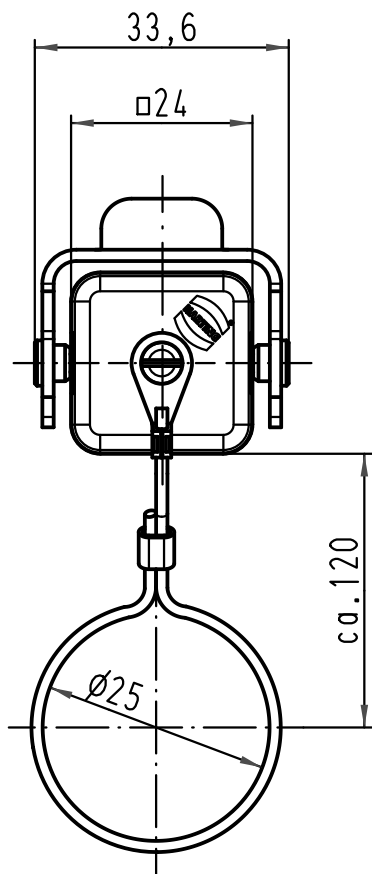
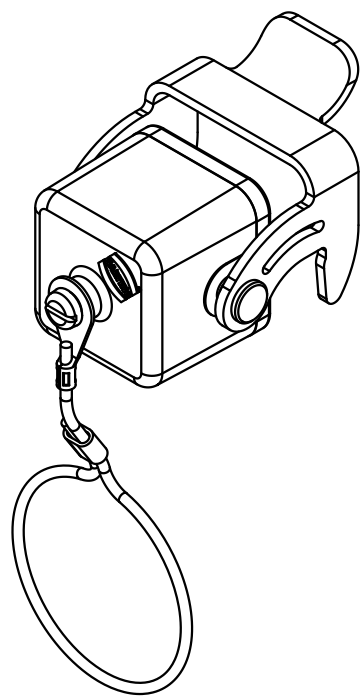
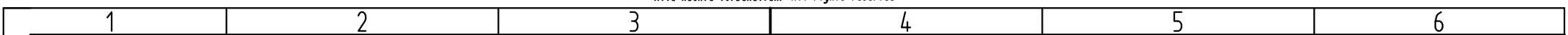


Alle Rechte vorbehalten/ All rights reserved



für Gehäuseobertheile mit montiertem Buchseneinsatz
for hoods with fitted female insert

		All Dimensions in mm Original Size DIN A 4		Techn. Character.		Nicht tolerierte Maß/Free size tolerances		
						Maßstab/Scale 1:1	Han E-St 3A-AK-QB-Dichtung Metallabdeckkappe mit Dichtung <i>metal cover with seal</i>	
				Detail.	09.09.10			Rull
				Insp.				Herb
				Stand.				
A				HARTING Electric GmbH & Co. KG D-32339 Espelkamp			TB 19 44 003 5421	
Mod.	Dat.	Name						Blatt/ page Sub.



SCATTERGOOD & JOHNSON LTD

ELECTRICAL ENGINEERING & FLUID CONTROL DISTRIBUTORS

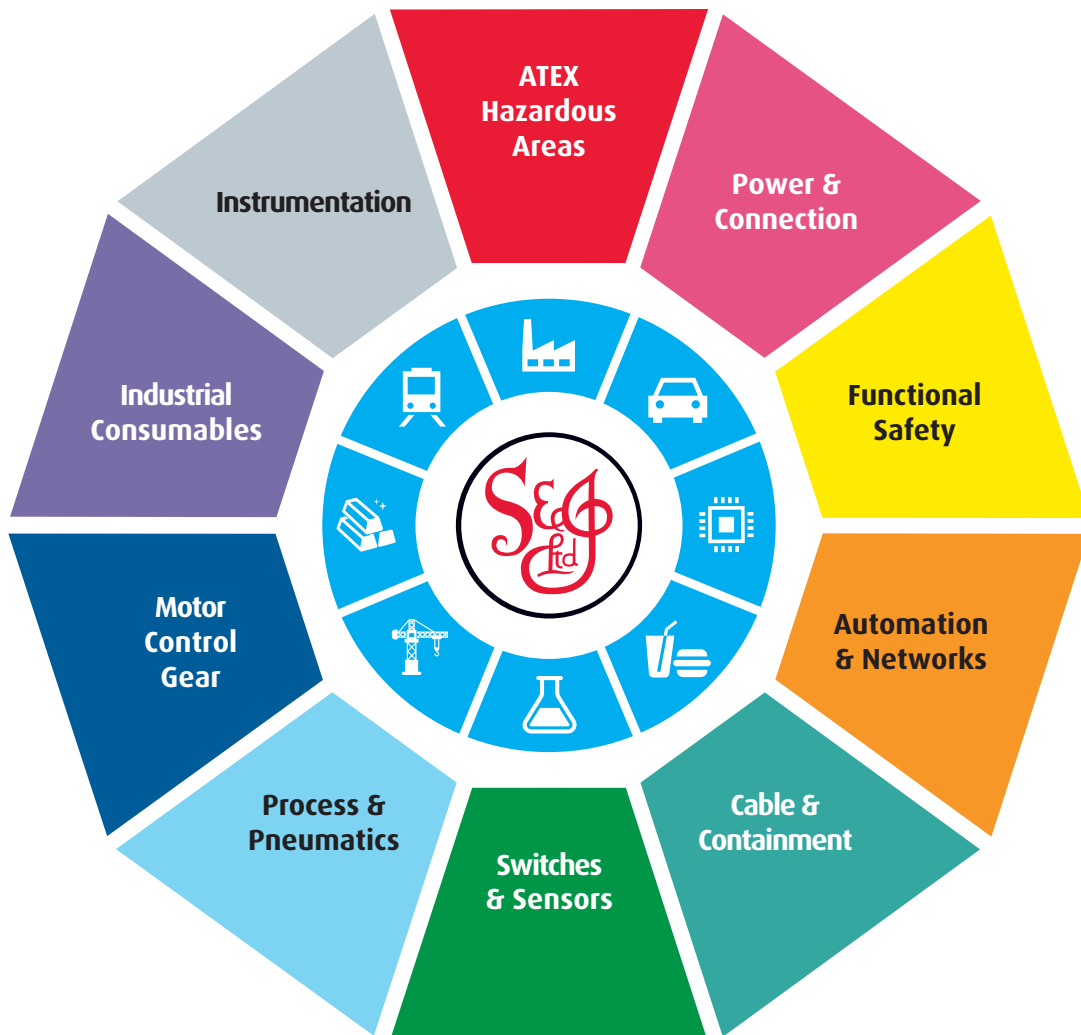
At Scattergood & Johnson Ltd, we pride ourselves on being a technical distributor to specialist industries.

Working with a range of quality product suppliers across a number of specialist markets, we are not your average 'box shifter' - we are your technical and supply chain partner.

We fully support every product we sell - for free! Our internal team and external sales engineers can answer any product or application question, no matter the complexity.

Backing up this technical ability is a range of 50,000+ products available from stock for nationwide next day delivery (same day if required!), or you can collect what you need from any of our trade counters around the UK.

Select your specialist interest below to learn more about how we can help.



Online, In Branch and On the Road - Scattergood & Johnson Ltd, there when you need us.

www.scatts.co.uk