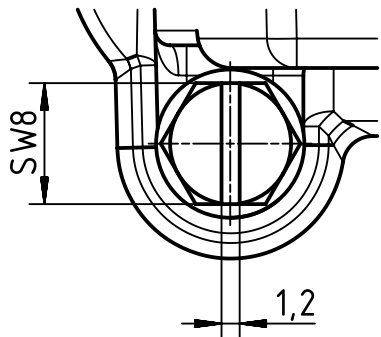
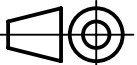



A (2:1)



 All Dimensions in mm Original Size DIN A4		Scale 1:1		Free size tol.		Ref.	
 All rights reserved Department EL PD		Created by HELLMANN		Inspected by GERB		Date 2019-01-07	
HARTING Electric GmbH & Co. KG D-32339 Espelkamp		Title Han 10EMV-gs-M40				State Final Release	
		Type TB		Number 19 62 010 0543		Doc-Key / ECM-Nr. 100180429/UGD/003/A 500000144688	
						Rev. <b>A</b> Page 1/1	