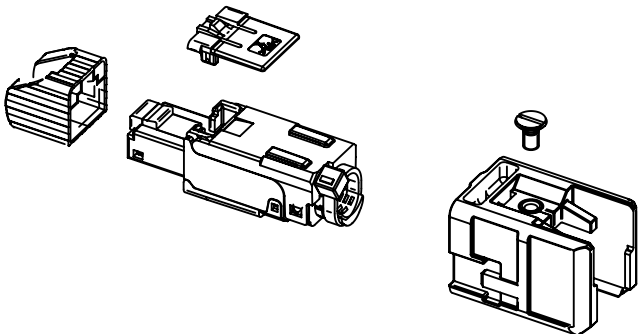


Mating face acc. to IEC 60603-7
 Data contact plating: Au 1,27 µm (50µin) over nickel
 Cable diameter 5-9mm
 Cable tie for strain relief included
 For more information see DS 20820000000



	All Dimensions in mm Original Size DIN A4		Scale 1:1	Free size tol.		Ref.
			Created by FARCASIU	Inspected by PRIESTER	Standardisation HOFFMANN	Sub.
All rights reserved Department EL PD		Title Han@ 3 A RJ45 preLink plug insert		Date 2018-12-13	State Final Release	Doc-Key / ECM-Nr. 100627977/UGD/000/C 500000144774
HARTING Electronics GmbH D-32339 Espelkamp		Type TB	Number 20820020001		Rev. C	Page 1/1