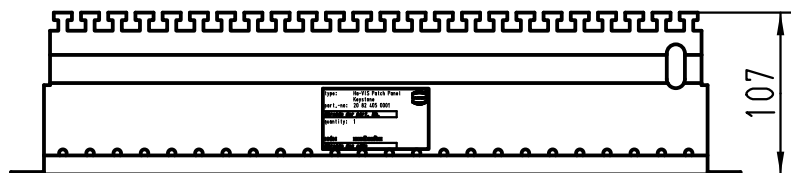
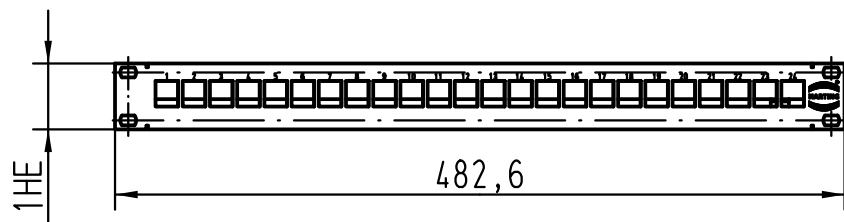
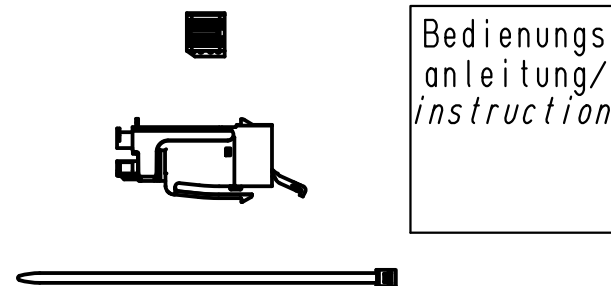


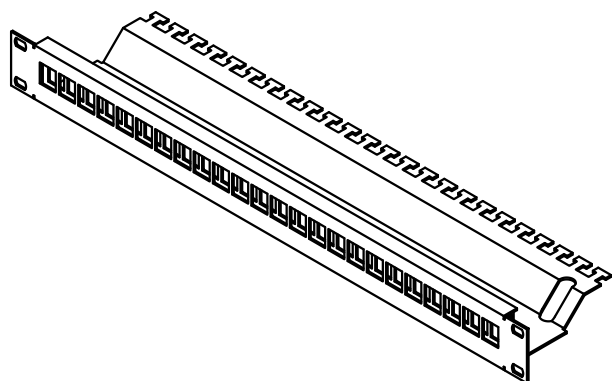
Alle Rechte vorbehalten/ All rights reserved



Ansicht Zubehör (1:2)
view range of accessories



je 24x RJ45 Buchse Keystone, Abschlussblock für AWG22/23 und Kabelbinder beigelegt
for each 24x RJ45 Keystone module, terminal module for AWG22/23 and cable ties enclosed



All Dimensions in mm Original Size DIN A 4		Techn. Character.			Nicht tolerierte Masse! Free size tolerances	
			Dat.	Name	Maßstab/Scale 1:5	Verteilerfeld Keystone Patch Panel Keystone preLink, 24 ports
			Detail.	15.11.11 j		
			Insp.	Loe.		
			Sfand.			
A			HARTING Electric GmbH & Co. KG			TB 20 82 405 0001
Mod.	Dat.	Name	D-32339 Espelkamp			
						Blatt/ page /



SCATTERGOOD & JOHNSON LTD

ELECTRICAL ENGINEERING & FLUID CONTROL DISTRIBUTORS

Est.1899

At Scattergood & Johnson Ltd, we pride ourselves on being a technical distributor to specialist industries.

Working with a range of quality product suppliers across a number of specialist markets, we are not your average 'box shifter' - we are your technical and supply chain partner.

We fully support every product we sell - for free! Our internal team and external sales engineers can answer any product or application question, no matter the complexity.

Backing up this technical ability is a range of 50,000+ products available from stock for nationwide next day delivery (same day if required!), or you can collect what you need from any of our trade counters around the UK.

Select your specialist interest below to learn more about how we can help.



Online, In Branch and On the Road - Scattergood & Johnson Ltd, there when you need us.

www.scatts.co.uk