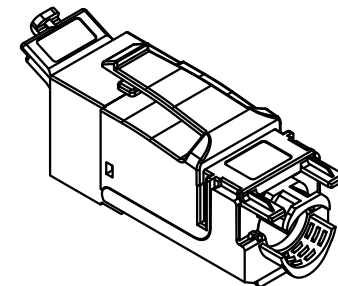
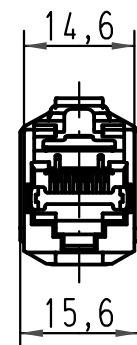
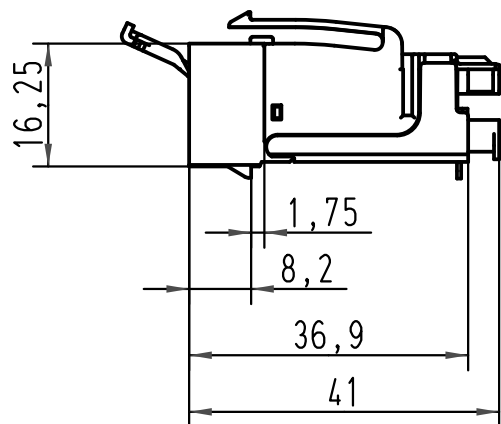
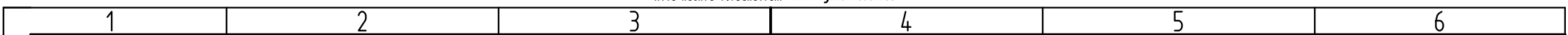
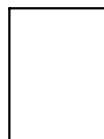
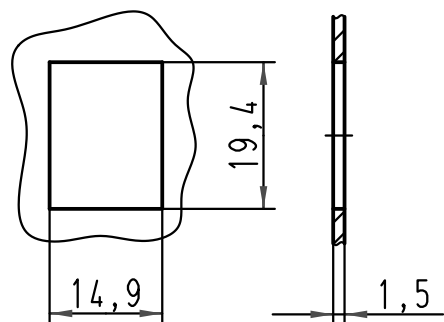


Alle Rechte vorbehalten/ All rights reserved



Montageausschnitt
assembly cut out



All Dimensions in mm Original Size DIN A 4		Techn. Character.			Nicht tolerierte Maß/Free size tolerances	
			Dat.	Name	Maßstab/Scale 1:1	preLink Modul RJ45 Buchse Keystone preLink module RJ45 jack, Keystone
		Detail.	20.01.11	l j		
		Insp.		Loe.		
		Stand.				
A		HARTING Electric GmbH & Co. KG				TB 20 82 500 0001
Mod.	Dat.	Name	D-32339 Espelkamp			
						Blatt/page
						Sub.



SCATTERGOOD & JOHNSON LTD

ELECTRICAL ENGINEERING & FLUID CONTROL DISTRIBUTORS

Est.1899

At Scattergood & Johnson Ltd, we pride ourselves on being a technical distributor to specialist industries.

Working with a range of quality product suppliers across a number of specialist markets, we are not your average 'box shifter' - we are your technical and supply chain partner.

We fully support every product we sell - for free! Our internal team and external sales engineers can answer any product or application question, no matter the complexity.

Backing up this technical ability is a range of 50,000+ products available from stock for nationwide next day delivery (same day if required!), or you can collect what you need from any of our trade counters around the UK.

Select your specialist interest below to learn more about how we can help.



Online, In Branch and On the Road - Scattergood & Johnson Ltd, there when you need us.

www.scatts.co.uk