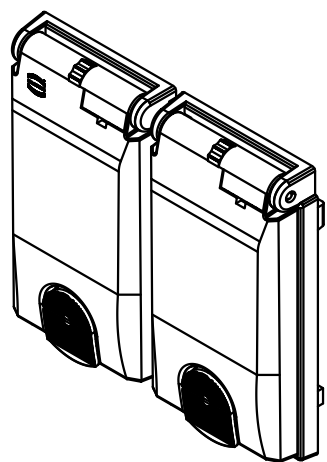
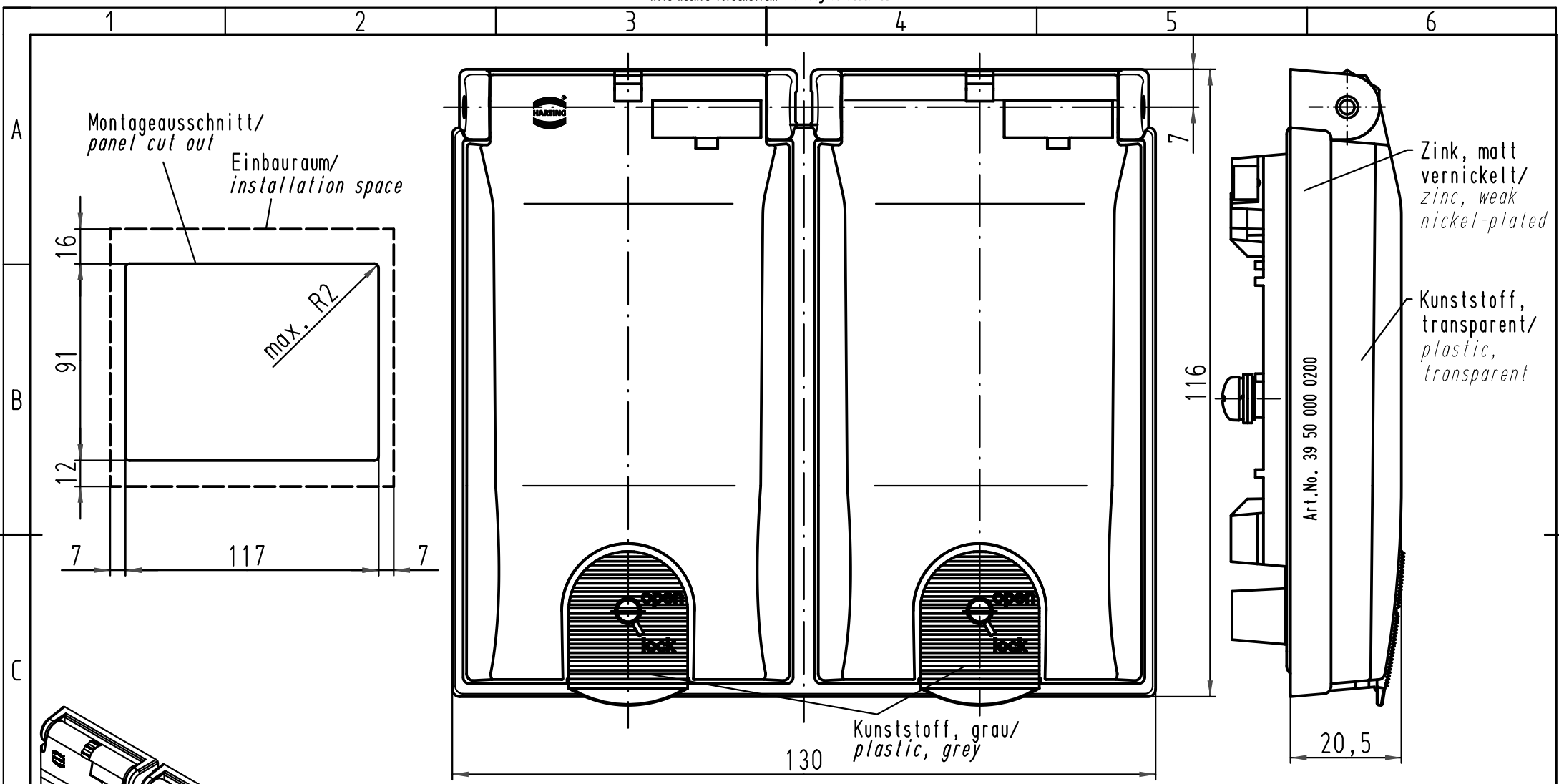


Alle Rechte vorbehalten/ All rights reserved



Montageanleitung
beiliegend/
assembly
instruction enclosed

All Dimensions in mm Original Size DIN A 4			Techn. Character.				Nicht tolerierte Maß/Free size tolerances	
413974	30.06.08	Ho		Dat.	Name	Maßstab/Scale 1:1	Han-Port Rahmen 2-fach Plastikdeckel/ double frame, plastic cover	
412527	08.11.06	ML	Detail.	24.11.04	Loe.			
412358	14.08.06	Ho	Insp.		SP			
411832	07.10.05	Loe.	Stand.					
411516	15.03.05	Loe.	HARTING Electric GmbH & Co. KG				TB 39 50 000 0200	
411345			D-32339 Espelkamp					
Mod.	Dat.	Name				Sub.	Blatt/ page	



SCATTERGOOD & JOHNSON LTD

ELECTRICAL ENGINEERING & FLUID CONTROL DISTRIBUTORS

Est.1899

At Scattergood & Johnson Ltd, we pride ourselves on being a technical distributor to specialist industries.

Working with a range of quality product suppliers across a number of specialist markets, we are not your average 'box shifter' - we are your technical and supply chain partner.

We fully support every product we sell - for free! Our internal team and external sales engineers can answer any product or application question, no matter the complexity.

Backing up this technical ability is a range of 50,000+ products available from stock for nationwide next day delivery (same day if required!), or you can collect what you need from any of our trade counters around the UK.

Select your specialist interest below to learn more about how we can help.



Online, In Branch and On the Road - Scattergood & Johnson Ltd, there when you need us.

www.scatts.co.uk