

## Absolute Rotary Encoder

**E6C3-A**

## An Encoder That Offers Durability and Convenience

- IP65f drip-proof, oil-proof construction achieved with seal bearing.
- 8-mm-dia stainless steel shaft withstands a shaft loading of 80 N and 50 N respectively in the radial and thrust directions.
- Absolute Rotary Encoders have a metal slit plate to ensure high resistance to shock.
- Combining Absolute Rotary Encoders with a Programmable Controller or Cam Positioner allows ideal angle control.
- Bears CE markings (EMC Directives) and conforms to EN/IEC standards, making it suitable for the European market.



## Ordering Information

### Sensors

Supply voltage	Output form	Output code	Resolution (pulse/rotation)	Connection method	Model
12 to 24VDC	NPN open collector output	Gray code	256	Connector type	<b>E6C3-AG5C-C</b>
			256, 360, 720, 1,024		<b>E6C3-AG5C</b>
		Binary	32, 40		<b>E6C3-AN5C</b>
	PNP open collector output	BCD	6, 8, 12		<b>E6C3-AB5C</b>
		Gray code	256, 360, 720, 1,024		<b>E6C3-AG5B</b>
		Binary	32, 40		<b>E6C3-AN5B</b>
5 VDC	NPN voltage output	Binary	256	Pre-wired type	<b>E6C3-AB5B</b>
					<b>E6C3-AN1E</b>
12 VDC					<b>E6C3-AN2E</b>

- Note: 1. When ordering, specify the resolution in addition to the model numbers. (Example: E6C3-AG5C 360P/R 1M)  
 2. Models with 2-m cables are also available as standard products. Specify the cable length at the end of the model number. (Example: E6C3-AG5C 360P/R 2M)  
 3. When connecting to the H8PS, be sure to use the E6C3-AG5C-C 256P/R.

### Accessories (Order Separately)

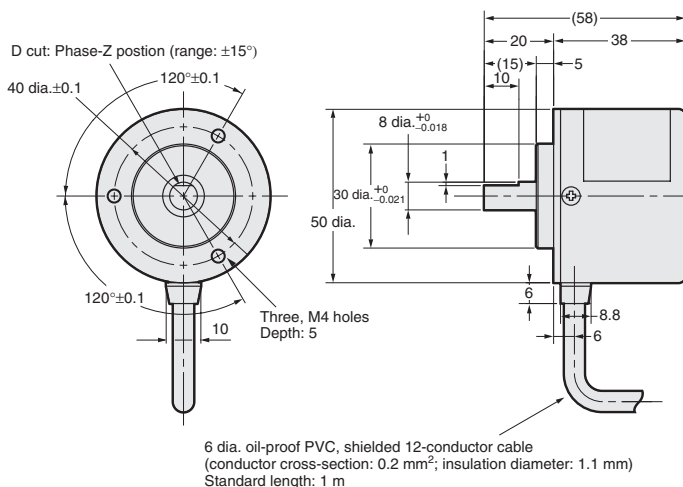
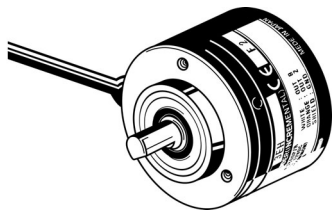
Item	Model	Remarks
Coupling	<b>E69-C08B</b>	---
	<b>E69-C68B</b>	Diameters of ends: 6 to 8 dia.
Flange	<b>E69-FCA03</b>	---
	<b>E69-FCA04</b>	E69-2 Servo Mounting Bracket provided.
Servo Mounting Bracket	<b>E69-2</b>	Provided with the E69-FCA04 Flange.
Extension Cable	<b>E69-DF5</b>	5 m
	<b>E69-DF10</b>	10 m
	<b>E69-DF20</b>	30 m
		Applicable for the E6C3-AG5C-C. 15- and 98-m-long Extension Cables are also available.

Dimensions (Unit: mm)

Sensors

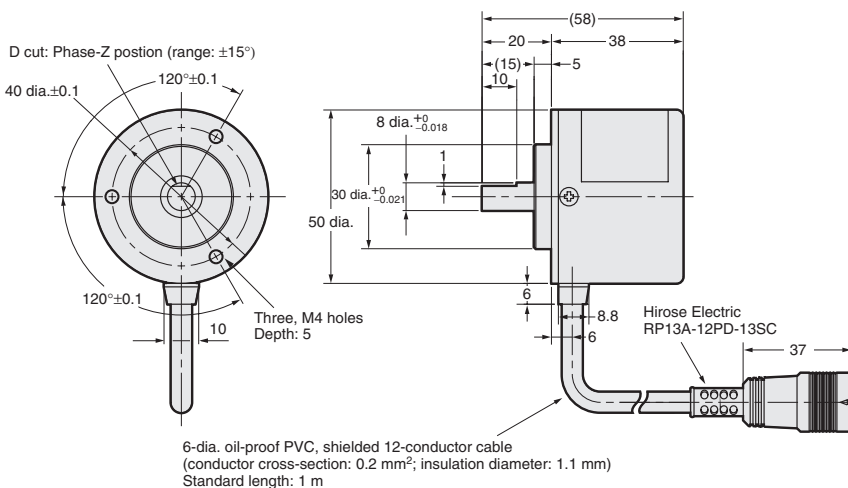
E6C3-A□5□

E6C3-AN□E



Note: E69-C08B is sold separately.

E6C3-AG5C-C



Note: E69-C08B is sold separately.

ALL DIMENSIONS SHOWN ARE IN MILLIMETERS.  
 To convert millimeters into inches, multiply by 0.03937. To convert grams into ounces, multiply by 0.03527.



# SCATTERGOOD & JOHNSON LTD

ELECTRICAL ENGINEERING & FLUID CONTROL DISTRIBUTORS

Est.1899

At Scattergood & Johnson Ltd, we pride ourselves on being a technical distributor to specialist industries.

Working with a range of quality product suppliers across a number of specialist markets, we are not your average 'box shifter' - we are your technical and supply chain partner.

We fully support every product we sell - for free! Our internal team and external sales engineers can answer any product or application question, no matter the complexity.

Backing up this technical ability is a range of 50,000+ products available from stock for nationwide next day delivery (same day if required!), or you can collect what you need from any of our trade counters around the UK.

Select your specialist interest below to learn more about how we can help.



Online, In Branch and On the Road - Scattergood & Johnson Ltd, there when you need us.

# [www.scatts.co.uk](http://www.scatts.co.uk)