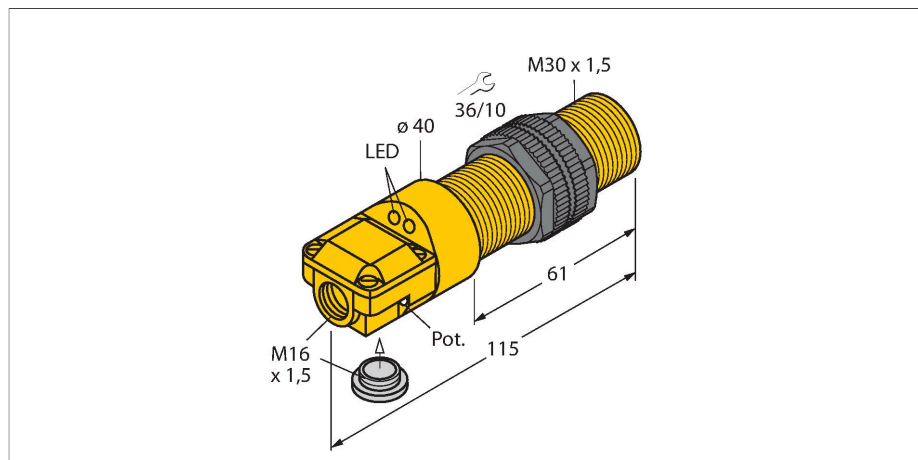


BC10-P30SR-VP4X2

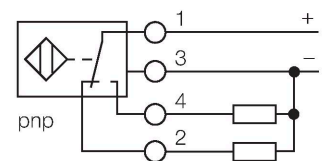
Capacitive Sensor



Features

- M30 x 1.5 threaded barrel
- Plastic, ABS
- Fine adjustment via potentiometer
- DC 4-wire, 10...65 VDC
- Complementary contact, PNP output
- Terminal chamber

Wiring diagram



Technical data

| | |
|---|------------------------------------|
| Type | BC10-P30SR-VP4X2 |
| Ident. no. | 25050 |
| Rated switching distance (flush) | 10 mm |
| Rated switching distance (non-flush) | 15 mm |
| Secured operating distance | $\leq (0.72 \times S_n)$ |
| Hysteresis | 2...20 % |
| Temperature drift | type 20 % |
| Repeat accuracy | ≤ 2 % of full scale |
| Ambient temperature | -25...+70 °C |
| Electrical data | |
| Operating voltage | 10...65 VDC |
| Residual ripple | ≤ 10 % U_{ss} |
| DC rated operational current | ≤ 200 mA |
| No-load current | ≤ 15 mA |
| Residual current | ≤ 0.1 mA |
| Switching frequency | 0.1 kHz |
| Isolation test voltage | ≤ 0.5 kV |
| Output function | 4-wire, Complementary contact, PNP |
| Short-circuit protection | yes / Cyclic |
| Voltage drop at I_o | ≤ 1.8 V |
| Wire breakage/Reverse polarity protection | yes / Complete |
| Mechanical data | |
| Design | Threaded barrel, M30 x 1.5 |
| Housing material | Plastic, ABS |
| Active area material | Plastic, ABS, yellow |
| Admissible pressure on front cap | ≤ 3 bar |

Functional principle

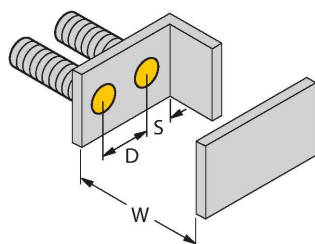
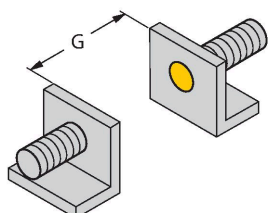
Capacitive proximity switches are designed for non-contact and wear-free detection of electrically conductive as well as non-conductive metal objects.

Technical data

| | |
|------------------------------------|--|
| Max. tightening torque housing nut | 5 Nm |
| Electrical connection | Terminal chamber |
| Vibration resistance | 55 Hz (1 mm) |
| Shock resistance | 30 g (11 ms) |
| Protection class | IP67 |
| MTTF | 1080 years acc. to SN 29500 (Ed. 99) 40 °C |
| Switching state | LED |

Mounting instructions

Product features



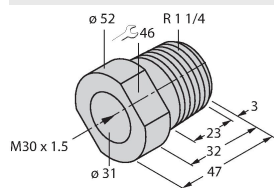
| | |
|------------------------|---------|
| Distance D | 60 mm |
| Distance W | 30 mm |
| Distance S | 45 mm |
| Distance G | 60 mm |
| Diameter active area B | Ø 30 mm |

The given minimum distances have been checked against the standard switching distance. Should the sensitivity of the sensors be changed via potentiometer, the data sheet specifications no longer apply.

Accessories

MAP-M30

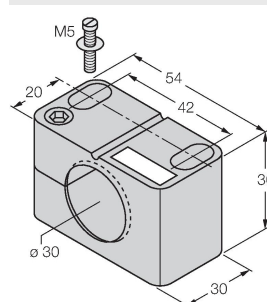
6950013



Mounting adapter; material: Polypropylene; sensor replacement with filled container possible (adapter remains in container during sensor replacement)

BST-30B

6947216



Mounting clamp for threaded barrel sensors, with dead-stop; material: PA6



SCATTERGOOD & JOHNSON LTD

ELECTRICAL ENGINEERING & FLUID CONTROL DISTRIBUTORS

Est.1899

At Scattergood & Johnson Ltd, we pride ourselves on being a technical distributor to specialist industries.

Working with a range of quality product suppliers across a number of specialist markets, we are not your average 'box shifter' - we are your technical and supply chain partner.

We fully support every product we sell - for free! Our internal team and external sales engineers can answer any product or application question, no matter the complexity.

Backing up this technical ability is a range of 50,000+ products available from stock for nationwide next day delivery (same day if required!), or you can collect what you need from any of our trade counters around the UK.

Select your specialist interest below to learn more about how we can help.



Online, In Branch and On the Road - Scattergood & Johnson Ltd, there when you need us.

www.scatts.co.uk