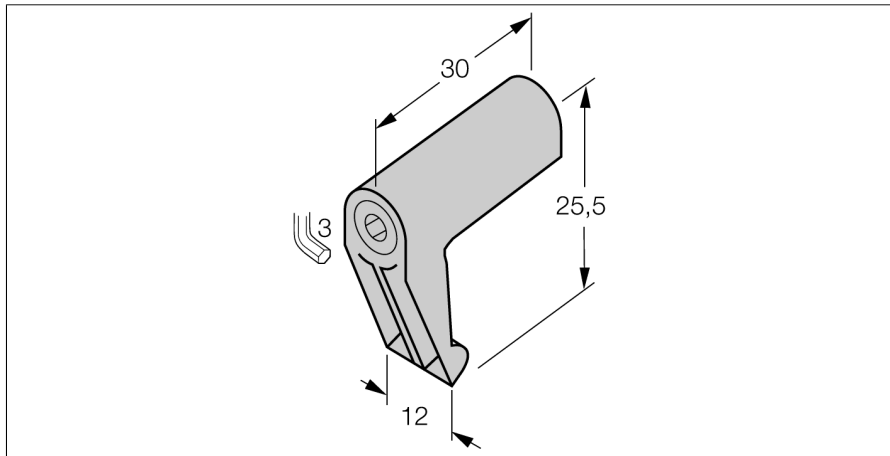


Accessories

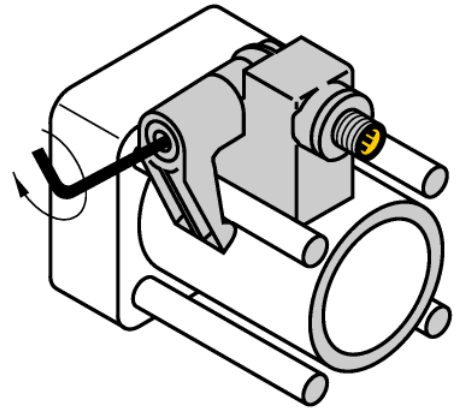
Mounting Bracket

For Tie-Rod Cylinders

KLF-3

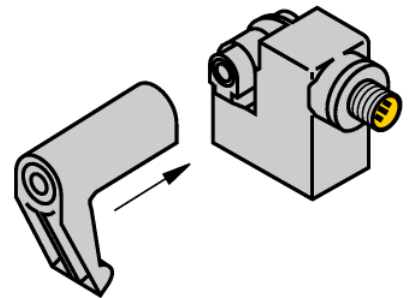


- Mounting on tie-rod cylinders
- Cylinder diameter: 32...100 mm
- Material: Die-cast Zinc



Type designation	KLF-3
Ident-No.	69710

Design	Accessories, IKE, IKT, IKM
Dimensions	30 x 25.5 x 12 mm
Housing material	Metal, GD-Zn
Fixing clamp for correspondent cylinder diameter	32...100 mm
Clamping width min.	4 mm
Max.clamp width	13 mm





SCATTERGOOD & JOHNSON LTD

ELECTRICAL ENGINEERING & FLUID CONTROL DISTRIBUTORS

Est.1899

At Scattergood & Johnson Ltd, we pride ourselves on being a technical distributor to specialist industries.

Working with a range of quality product suppliers across a number of specialist markets, we are not your average 'box shifter' - we are your technical and supply chain partner.

We fully support every product we sell - for free! Our internal team and external sales engineers can answer any product or application question, no matter the complexity.

Backing up this technical ability is a range of 50,000+ products available from stock for nationwide next day delivery (same day if required!), or you can collect what you need from any of our trade counters around the UK.

Select your specialist interest below to learn more about how we can help.



Online, In Branch and On the Road - Scattergood & Johnson Ltd, there when you need us.

www.scatts.co.uk