

**DATASHEET - DILM12-01(24VDC)**


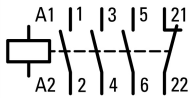


**Contactors, 3 pole, 380 V 400 V 5.5 kW, 1 NC, 24 V DC, DC operation, Screw terminals**



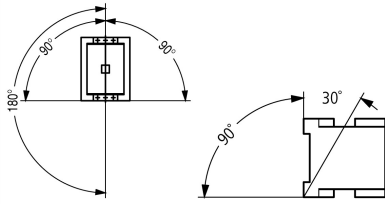
**Part no. DILM12-01(24VDC)**  
**Catalog No. 276880**  
**Alternate Catalog No. XTCE012B01TD**  
**EL-Nummer (Norway) 4130325**

**Delivery program**

|   |                |    |  |  |
|---|----------------|----|--|--|
| Product range   |                |    |  | Contactors   |
| Application   |                |    |  | Contactors for Motors  |
| Subrange  |                |    |  | Contactors up to 170 A, 3 pole   |
| Utilization category                                      |                |    |  | AC-1: Non-inductive or slightly inductive loads, resistance furnaces<br>NAC-3: Normal AC induction motors: starting, switch off during running<br>AC-4: Normal AC induction motors: starting, plugging, reversing, inching |
| Notes   |                |    |  | <br>Also suitable for motors with efficiency class IE3.<br>IE3-ready devices are identified by the logo on their packaging.              |
| Connection technique                                      |                |    |  | Screw terminals  |
| Number of poles   |                |    |  | 3 pole   |
| <b>Rated operational current</b>                          |                |    |  |  |
| AC-3  |                |    |  |  |
| Notes   |                |    |  | At maximum permissible ambient temperature (open.)   |
| 380 V 400 V   | $I_e$          | A  |  | 12   |
| AC-1  |                |    |  |  |
| Conventional free air thermal current, 3 pole, 50 - 60 Hz |                |    |  |  |
| Open  |                |    |  |  |
| at 40 °C  | $I_{th} = I_e$ | A  |  | 22   |
| enclosed  | $I_{th}$       | A  |  | 18   |
| Conventional free air thermal current, 1 pole             |                |    |  |  |
| open  | $I_{th}$       | A  |  | 50   |
| enclosed  | $I_{th}$       | A  |  | 45   |
| <b>Max. rating for three-phase motors, 50 - 60 Hz</b>     |                |    |  |  |
| AC-3  |                |    |  |  |
| 220 V 230 V   | P              | kW |  | 3.5  |
| 380 V 400 V   | P              | kW |  | 5.5  |
| 660 V 690 V   | P              | kW |  | 6.5  |
| AC-4  |                |    |  |  |
| 220 V 230 V   | P              | kW |  | 2  |
| 380 V 400 V   | P              | kW |  | 3  |
| 660 V 690 V   | P              | kW |  | 4.4  |
| <b>Contacts</b>   |                |    |  |  |
| N/C = Normally closed                                     |                |    |  | 1 NC   |
| Contact sequence  |                |    |  |    |
| Instructions  |                |    |  | Contacts to EN 50 012.<br>Integrated varistor suppressor circuit with mirror contact.  |
| Can be combined with auxiliary contact                    |                |    |  | DILA-XHI(V)..  |
| Actuating voltage   |                |    |  | 24 V DC  |
| Voltage AC/DC   |                |    |  | DC operation   |
| Connection to SmartWire-DT                                |                |    |  | yes  |

## Technical data

### General

|   |              |                 |  |
|---|--------------|-----------------|--|
| Standards   |              |                 | IEC/EN 60947, VDE 0660, UL, CSA  |
| Lifespan, mechanical  |              |                 |  |
| DC operated   | Operations   | $\times 10^6$   | 10   |
| Operating frequency, mechanical                                       |              |                 |  |
| DC operated   | Operations/h |                 | 9000   |
| Climatic proofing   |              |                 | Damp heat, constant, to IEC 60068-2-78<br>Damp heat, cyclic, to IEC 60068-2-30     |
| Ambient temperature   |              |                 |  |
| Open  |              | °C              | -25 - +60  |
| Enclosed  |              | °C              | - 25 - 40  |
| Storage   |              | °C              | - 40 - 80  |
| Mounting position   |              |                 |  |
| Mechanical shock resistance (IEC/EN 60068-2-27)                       |              |                 |  |
| Half-sinusoidal shock, 10 ms  |              |                 |  |
| Main contacts   |              |                 |  |
| N/O contact   |              | g               | 10   |
| Auxiliary contacts  |              |                 |  |
| N/O contact   |              | g               | 7  |
| N/C contact   |              | g               | 5  |
| Mechanical shock resistance (IEC/EN 60068-2-27) when tabletop-mounted |              |                 |  |
| Half-sinusoidal shock, 10 ms  |              |                 |  |
| Main contacts   |              |                 |  |
| N/O contact   |              | g               | 5.7  |
| Auxiliary contacts  |              |                 |  |
| N/O contact   |              | g               | 3.4  |
| N/C contact   |              | g               | 3.4  |
| Degree of Protection  |              |                 | IP20   |
| Protection against direct contact when actuated from front (EN 50274) |              |                 | Finger and back-of-hand proof  |
| Altitude  |              | m               | Max. 2000  |
| Weight  |              |                 |  |
| DC operated   |              | kg              | 0.296  |
| Screw connector terminals   |              |                 |  |
| Terminal capacity main cable  |              |                 |  |
| Solid   |              | mm <sup>2</sup> | 1 x (0.75 - 4)<br>2 x (0.75 - 2.5)   |
| Flexible with ferrule   |              | mm <sup>2</sup> | 1 x (0.75 - 2.5)<br>2 x (0.75 - 2.5)   |
| Solid or stranded   |              | AWG             | single 18 - 10, double 18 - 14   |
| Stripping length  |              | mm              | 10   |
| Terminal screw  |              |                 | M3.5   |
| Tightening torque   |              | Nm              | 1.2  |
| Tool  |              |                 |  |
| Pozidriv screwdriver  |              | Size            | 2  |
| Standard screwdriver  |              | mm              | 0.8 x 5.5<br>1 x 6   |
| Terminal capacity control circuit cables                              |              |                 |  |
| Solid   |              | mm <sup>2</sup> | 1 x (0.75 - 4)<br>2 x (0.75 - 2.5)   |
| Flexible with ferrule   |              | mm <sup>2</sup> | 1 x (0.75 - 2.5)   |

|                      |  |      |                    |
|----------------------|--|------|--------------------|
|                      |  |      | 2 x (0.75 - 2.5)   |
| Solid or stranded    |  | AWG  | 18 - 14            |
| Stripping length     |  | mm   | 10                 |
| Terminal screw       |  |      | M3.5               |
| Tightening torque    |  | Nm   | 1.2                |
| Tool                 |  |      |                    |
| Pozidriv screwdriver |  | Size | 2                  |
| Standard screwdriver |  | mm   | 0.8 x 5.5<br>1 x 6 |

### Main conducting paths

|  |             |      |       |
|--|-------------|------|-------|
| Rated impulse withstand voltage        | $U_{imp}$   | V AC | 8000  |
| Overvoltage category/pollution degree  |             |      | III/3 |
| Rated insulation voltage               | $U_i$       | V AC | 690   |
| Rated operational voltage              | $U_e$       | V AC | 690   |
| Safe isolation to EN 61140             |             |      |       |
| between coil and contacts              |             | V AC | 400   |
| between the contacts                   |             | V AC | 400   |
| Making capacity (p.f. to IEC/EN 60947) |             |      |       |
|  | Up to 690 V | A    | 168   |
| Breaking capacity                      |             |      |       |
| 220 V 230 V                            |             | A    | 120   |
| 380 V 400 V                            |             | A    | 120   |
| 500 V                                  |             | A    | 100   |
| 660 V 690 V                            |             | A    | 70    |
| Short-circuit rating                   |             |      |       |
| Short-circuit protection maximum fuse  |             |      |       |
| Type "2" coordination                  |             |      |       |
| 400 V                                  | gG/gL 500 V | A    | 20    |
| 690 V                                  | gG/gL 690 V | A    | 20    |
| Type "1" coordination                  |             |      |       |
| 400 V                                  | gG/gL 500 V | A    | 35    |
| 690 V                                  | gG/gL 690 V | A    | 25    |

### AC

|   |                |   |  |
|---|----------------|---|--|
| AC-1  |                |   |  |
| Rated operational current                                 |                |   |  |
| Conventional free air thermal current, 3 pole, 50 - 60 Hz |                |   |  |
| Open  |                |   |  |
| at 40 °C  | $I_{th} = I_e$ | A | 22   |
| at 50 °C  | $I_{th} = I_e$ | A | 21   |
| at 55 °C  | $I_{th} = I_e$ | A | 21   |
| at 60 °C  | $I_{th} = I_e$ | A | 20   |
| enclosed  | $I_{th}$       | A | 18   |
| Conventional free air thermal current, 1 pole             |                |   |  |
| open  | $I_{th}$       | A | 50   |
| enclosed  | $I_{th}$       | A | 45   |
| AC-3  |                |   |  |
| Rated operational current                                 |                |   |  |
| Open, 3-pole: 50 – 60 Hz                                  |                |   |  |
| Notes   |                |   | At maximum permissible ambient temperature (open.) |
| 220 V 230 V   | $I_e$          | A | 12   |
| 240 V   | $I_e$          | A | 12   |
| 380 V 400 V   | $I_e$          | A | 12   |
| 415 V   | $I_e$          | A | 12   |
| 440V  | $I_e$          | A | 12   |
| 500 V   | $I_e$          | A | 10   |

|                          |                |     |     |
|--------------------------|----------------|-----|-----|
| 660 V 690 V              | I <sub>e</sub> | A   | 7   |
| 380 V 400 V              | I <sub>e</sub> | A   | 12  |
| Motor rating             | P              | kWh |     |
| 220 V 230 V              | P              | kW  | 3.5 |
| 240V                     | P              | kW  | 4   |
| 380 V 400 V              | P              | kW  | 5.5 |
| 415 V                    | P              | kW  | 7   |
| 440 V                    | P              | kW  | 7.5 |
| 500 V                    | P              | kW  | 7   |
| 660 V 690 V              | P              | kW  | 6.5 |
| <b>AC-4</b>              |                |     |     |
| Open, 3-pole: 50 – 60 Hz |                |     |     |
| 220 V 230 V              | I <sub>e</sub> | A   | 7   |
| 240 V                    | I <sub>e</sub> | A   | 7   |
| 380 V 400 V              | I <sub>e</sub> | A   | 7   |
| 415 V                    | I <sub>e</sub> | A   | 7   |
| 440 V                    | I <sub>e</sub> | A   | 7   |
| 500 V                    | I <sub>e</sub> | A   | 6   |
| 660 V 690 V              | I <sub>e</sub> | A   | 5   |
| Motor rating             | P              | kWh |     |
| 220 V 230 V              | P              | kW  | 2   |
| 240 V                    | P              | kW  | 2.2 |
| 380 V 400 V              | P              | kW  | 3   |
| 415 V                    | P              | kW  | 3.4 |
| 440 V                    | P              | kW  | 3.6 |
| 500 V                    | P              | kW  | 3.5 |
| 660 V 690 V              | P              | kW  | 4.4 |

**DC**

|                                 |                |   |    |
|---------------------------------|----------------|---|----|
| Rated operational current, open |                |   |    |
| DC-1                            |                |   |    |
| 60 V                            | I <sub>e</sub> | A | 20 |
| 110 V                           | I <sub>e</sub> | A | 20 |
| 220 V                           | I <sub>e</sub> | A | 15 |

**Current heat loss**

|   |  |    |     |
|---|--|----|-----|
| 3 pole, at I <sub>th</sub> (60°)                  |  | W  | 4.2 |
| Current heat loss at I <sub>e</sub> to AC-3/400 V |  | W  | 1.5 |
| Impedance per pole                                |  | mΩ | 4.6 |

**Magnet systems**

|  |          |                  |   |
|--|----------|------------------|---|
| Voltage tolerance  |          |                  |   |
| DC operated  | Pick-up  | x U <sub>c</sub> | 0.8 - 1.1   |
| Notes  |          |                  | 0.85 - 1.1 only with auxiliary contact module with 3 or more N/C contacts<br>0.7 – 1.3 without auxiliary contact module and at ambient air temperature + +40 °C |
| DC operated  | Drop-out | x U <sub>c</sub> | 0.15 - 0.6  |
| Notes  |          |                  | at least smoothed two-phase bridge rectifier or three-phase rectifier   |
| Power consumption of the coil in a cold state and 1.0 x U <sub>S</sub> |          |                  |   |
| DC operated  | Pick-up  | W                | 4.5   |
| DC operated  | Sealing  | W                | 4.5   |
| Duty factor  |          | % DF             | 100   |
| Changeover time at 100 % U <sub>S</sub> (recommended value)            |          |                  |   |
| Main contacts  |          |                  |   |
| DC operated  |          | ms               |   |
| Closing delay  |          | ms               | 31  |
| Opening delay  |          | ms               | 12  |
| Arcing time  |          | ms               | 10  |

**Electromagnetic compatibility (EMC)**

|                       |  |  |                         |
|-----------------------|--|--|-------------------------|
| Emitted interference  |  |  | according to EN 60947-1 |
| Interference immunity |  |  | according to EN 60947-1 |

**Rating data for approved types**

|   |    |      |                         |
|---|----|------|-------------------------|
| Switching capacity  |    |      |                         |
| Maximum motor rating                                      |    |      |                         |
| Three-phase   |    |      |                         |
| 200 V<br>208 V  | HP |      | 3                       |
| 230 V<br>240 V  | HP |      | 3                       |
| 460 V<br>480 V  | HP |      | 10                      |
| 575 V<br>600 V  | HP |      | 10                      |
| Single-phase  |    |      |                         |
| 115 V<br>120 V  | HP |      | 1                       |
| 230 V<br>240 V  | HP |      | 2                       |
| General use   | A  |      | 20                      |
| Auxiliary contacts  |    |      |                         |
| Pilot Duty  |    |      |                         |
| AC operated   |    |      | A600                    |
| DC operated   |    |      | P300                    |
| General Use   |    |      |                         |
| AC  | V  |      | 600                     |
| AC  | A  |      | 10                      |
| DC  | V  |      | 250                     |
| DC  | A  |      | 1                       |
| Short Circuit Current Rating                              |    | SCCR |                         |
| Basic Rating  |    |      |                         |
| SCCR  | kA |      | 5                       |
| max. Fuse   | A  |      | 45                      |
| max. CB   | A  |      | 60                      |
| 480 V High Fault  |    |      |                         |
| SCCR (fuse)   | kA |      | 30/100                  |
| max. Fuse   | A  |      | 25 Class RK5/45 Class J |
| 600 V High Fault  |    |      |                         |
| SCCR (fuse)   | kA |      | 30/100                  |
| max. Fuse   | A  |      | 25 Class RK5/45 Class J |
| Special Purpose Ratings                                   |    |      |                         |
| Electrical Discharge Lamps (Ballast)                      |    |      |                         |
| 480V 60Hz 3phase, 277V 60Hz 1phase                        | A  |      | 20                      |
| 600V 60Hz 3phase, 347V 60Hz 1phase                        | A  |      | 20                      |
| Incandescent Lamps (Tungsten)                             |    |      |                         |
| 480V 60Hz 3phase, 277V 60Hz 1phase                        | A  |      | 14                      |
| 600V 60Hz 3phase, 347V 60Hz 1phase                        | A  |      | 14                      |
| Resistance Air Heating                                    |    |      |                         |
| 480V 60Hz 3phase, 277V 60Hz 1phase                        | A  |      | 20                      |
| 600V 60Hz 3phase, 347V 60Hz 1phase                        | A  |      | 20                      |
| Refrigeration Control (CSA only)                          |    |      |                         |
| LRA 480V 60Hz 3phase                                      | A  |      | 60                      |
| FLA 480V 60Hz 3phase                                      | A  |      | 10                      |
| LRA 600V 60Hz 3phase                                      | A  |      | 60                      |
| FLA 600V 60Hz 3phase                                      | A  |      | 10                      |
| Definite Purpose Ratings (100,000 cycles acc. to UL 1995) |    |      |                         |
| LRA 480V 60Hz 3phase                                      | A  |      | 72                      |

|                      |    |     |
|----------------------|----|-----|
| FLA 480V 60Hz 3phase | A  | 12  |
| Elevator Control     |    |     |
| 200V 60Hz 3phase     | HP | 2   |
| 200V 60Hz 3phase     | A  | 7.8 |
| 240V 60Hz 3phase     | HP | 2   |
| 240V 60Hz 3phase     | A  | 6.8 |
| 480V 60Hz 3phase     | HP | 7.5 |
| 480V 60Hz 3phase     | A  | 11  |
| 600V 60Hz 3phase     | HP | 7.5 |
| 600V 60Hz 3phase     | A  | 9   |

## Design verification as per IEC/EN 61439

|  |            |    |  |
|--|------------|----|--|
| Technical data for design verification   |            |    |  |
| Rated operational current for specified heat dissipation   | $I_n$      | A  | 12   |
| Heat dissipation per pole, current-dependent   | $P_{vid}$  | W  | 0.5  |
| Equipment heat dissipation, current-dependent  | $P_{vid}$  | W  | 0  |
| Static heat dissipation, non-current-dependent   | $P_{vs}$   | W  | 4.5  |
| Heat dissipation capacity  | $P_{diss}$ | W  | 0  |
| Operating ambient temperature min.   |            | °C | -25  |
| Operating ambient temperature max.   |            | °C | 60   |
| IEC/EN 61439 design verification   |            |    |  |
| 10.2 Strength of materials and parts   |            |    |  |
| 10.2.2 Corrosion resistance  |            |    | Meets the product standard's requirements.   |
| 10.2.3.1 Verification of thermal stability of enclosures   |            |    | Meets the product standard's requirements.   |
| 10.2.3.2 Verification of resistance of insulating materials to normal heat   |            |    | Meets the product standard's requirements.   |
| 10.2.3.3 Verification of resistance of insulating materials to abnormal heat and fire due to internal electric effects |            |    | Meets the product standard's requirements.   |
| 10.2.4 Resistance to ultra-violet (UV) radiation   |            |    | Meets the product standard's requirements.   |
| 10.2.5 Lifting   |            |    | Does not apply, since the entire switchgear needs to be evaluated.   |
| 10.2.6 Mechanical impact   |            |    | Does not apply, since the entire switchgear needs to be evaluated.   |
| 10.2.7 Inscriptions  |            |    | Meets the product standard's requirements.   |
| 10.3 Degree of protection of ASSEMBLIES  |            |    | Does not apply, since the entire switchgear needs to be evaluated.   |
| 10.4 Clearances and creepage distances   |            |    | Meets the product standard's requirements.   |
| 10.5 Protection against electric shock   |            |    | Does not apply, since the entire switchgear needs to be evaluated.   |
| 10.6 Incorporation of switching devices and components   |            |    | Does not apply, since the entire switchgear needs to be evaluated.   |
| 10.7 Internal electrical circuits and connections  |            |    | Is the panel builder's responsibility.   |
| 10.8 Connections for external conductors   |            |    | Is the panel builder's responsibility.   |
| 10.9 Insulation properties   |            |    |  |
| 10.9.2 Power-frequency electric strength   |            |    | Is the panel builder's responsibility.   |
| 10.9.3 Impulse withstand voltage   |            |    | Is the panel builder's responsibility.   |
| 10.9.4 Testing of enclosures made of insulating material   |            |    | Is the panel builder's responsibility.   |
| 10.10 Temperature rise   |            |    | The panel builder is responsible for the temperature rise calculation. Eaton will provide heat dissipation data for the devices. |
| 10.11 Short-circuit rating   |            |    | Is the panel builder's responsibility. The specifications for the switchgear must be observed.                                   |
| 10.12 Electromagnetic compatibility  |            |    | Is the panel builder's responsibility. The specifications for the switchgear must be observed.                                   |
| 10.13 Mechanical function  |            |    | The device meets the requirements, provided the information in the instruction leaflet (IL) is observed.                         |

## Technical data ETIM 7.0

|   |   |  |         |
|---|---|--|---------|
| Low-voltage industrial components (EG000017) / Power contactor, AC switching (EC000066)   |   |  |         |
| Electric engineering, automation, process control engineering / Low-voltage switch technology / Contactor (LV) / Power contactor, AC switching (ecl@ss10.0.1-27-37-10-03 [AAB718015]) |   |  |         |
| Rated control supply voltage $U_s$ at AC 50HZ   | V |  | 0 - 0   |
| Rated control supply voltage $U_s$ at AC 60HZ   | V |  | 0 - 0   |
| Rated control supply voltage $U_s$ at DC  | V |  | 24 - 24 |
| Voltage type for actuating  |   |  | DC      |

|   |    |                  |
|---|----|------------------|
| Rated operation current Ie at AC-1, 400 V               | A  | 22               |
| Rated operation current Ie at AC-3, 400 V               | A  | 12               |
| Rated operation power at AC-3, 400 V                    | kW | 5.5              |
| Rated operation current Ie at AC-4, 400 V               | A  | 7                |
| Rated operation power at AC-4, 400 V                    | kW | 3                |
| Rated operation power NEMA                              | kW | 7.4              |
| Modular version   |    | No               |
| Number of auxiliary contacts as normally open contact   |    | 0                |
| Number of auxiliary contacts as normally closed contact |    | 1                |
| Type of electrical connection of main circuit           |    | Screw connection |
| Number of normally closed contacts as main contact      |    | 0                |
| Number of main contacts as normally open contact        |    | 3                |

## Approvals

|                                      |  |  |
|--------------------------------------|--|--|
| Product Standards                    |  | IEC/EN 60947-4-1; UL 60947-4-1; CSA - C22.2 No. 60947-4-1-14; CE marking |
| UL File No.                          |  | E29096   |
| UL Category Control No.              |  | NLDX   |
| CSA File No.                         |  | 012528   |
| CSA Class No.                        |  | 2411-03, 3211-04   |
| North America Certification          |  | UL listed, CSA certified   |
| Specially designed for North America |  | No   |

Characteristics



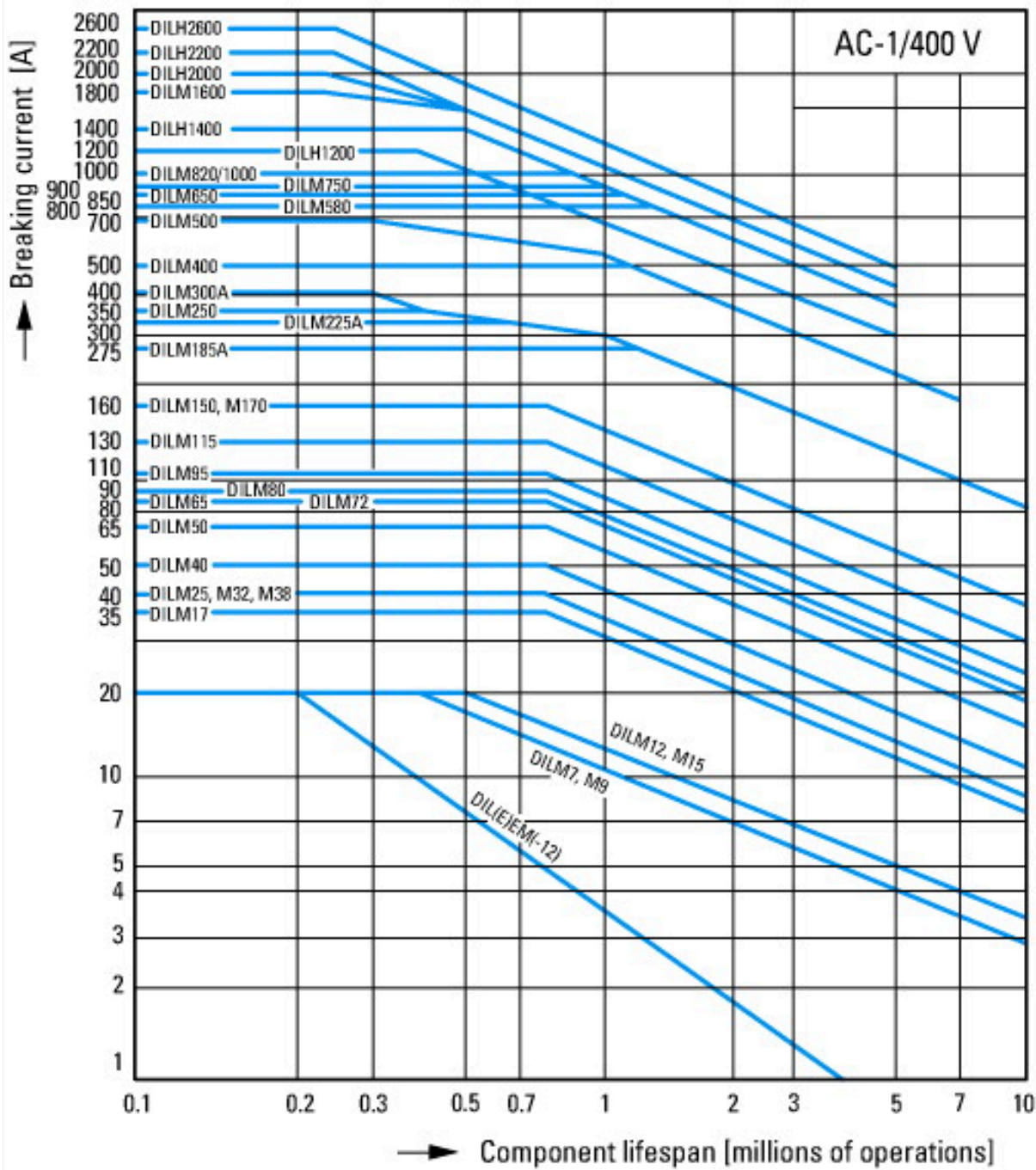
- 1: Overload relay
- 2: Suppressor
- 3: Auxiliary contact modules



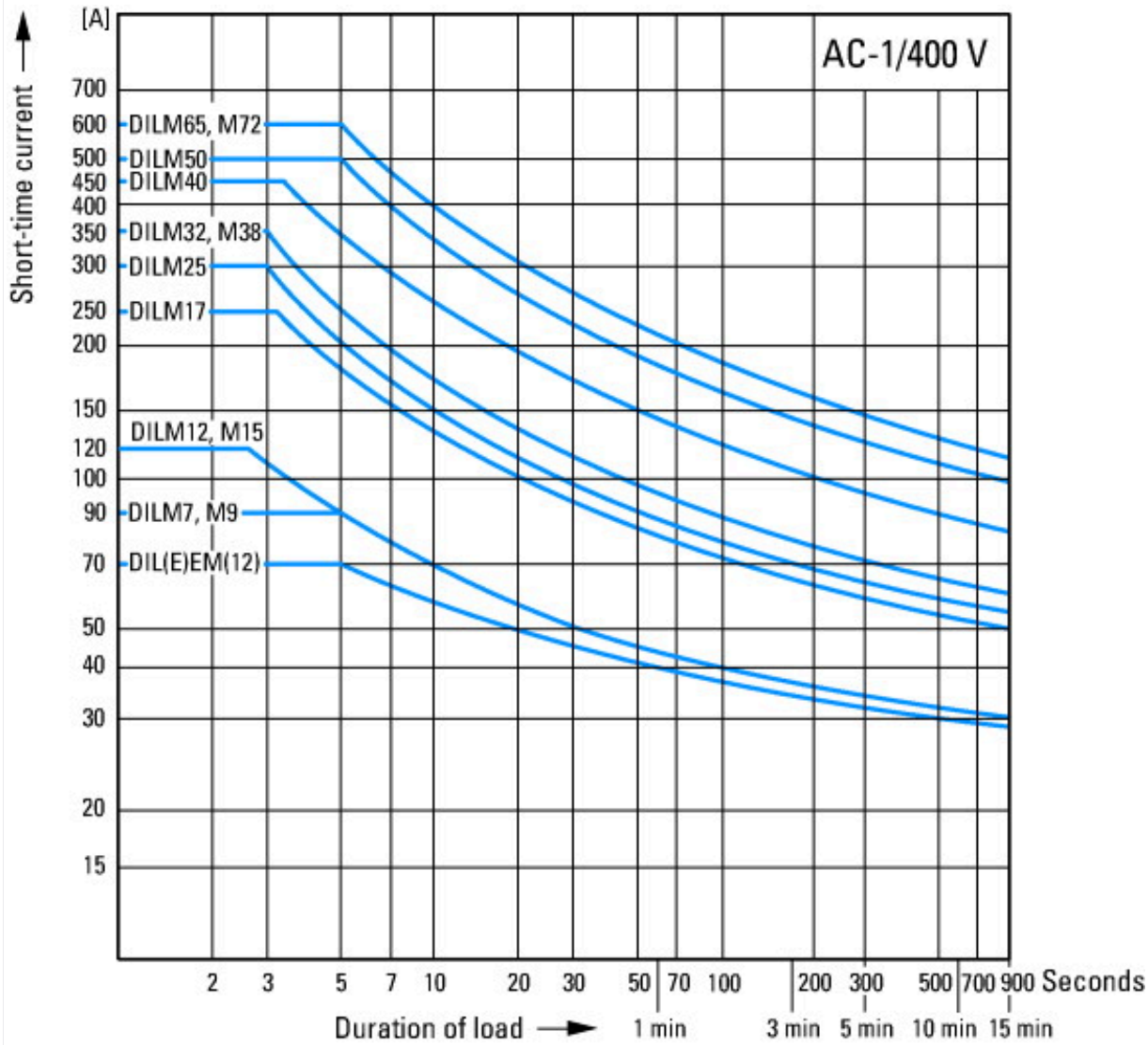
- Squirrel-cage motor
- Operating characteristics
- Starting: from rest
- Stopping: after attaining full running speed
- Electrical characteristics
- Make: up to 6 x rated motor current
- Break: up to 1 x rated motor current
- Utilization category
- 100 % AC-3
- Typical applications
- Compressors
- Lifts
- Mixers
- Pumps
- Escalators
- Agitators
- Fans
- Conveyor belts
- Centrifuges
- Hinged flaps
- Bucket-elevators
- Air conditioning system
- General drives in manufacturing and processing machines



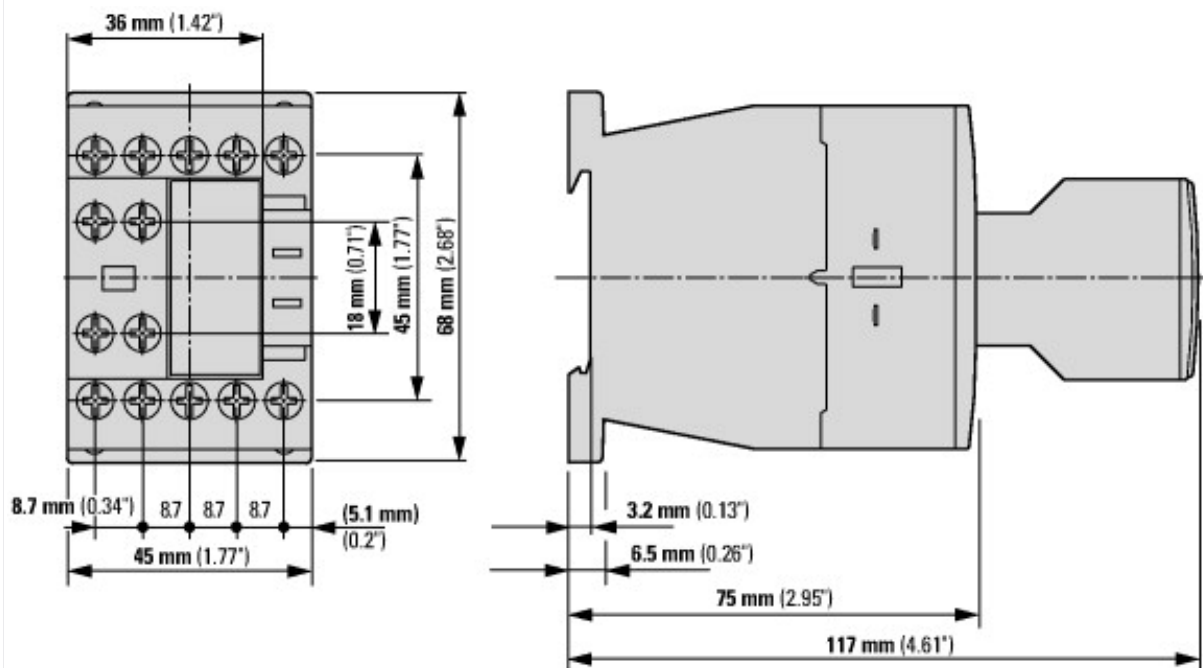
- Extreme switching duty
- Squirrel-cage motor
- Operating characteristics
- Inching, plugging, reversing
- Electrical characteristics
- Make: up to 6 x rated motor current
- Break: up to 6 x rated motor current
- Utilization category
- 100 % AC-4
- Typical applications
- Printing presses
- Wire-drawing machines
- Centrifuges
- Special drives for manufacturing and processing machines



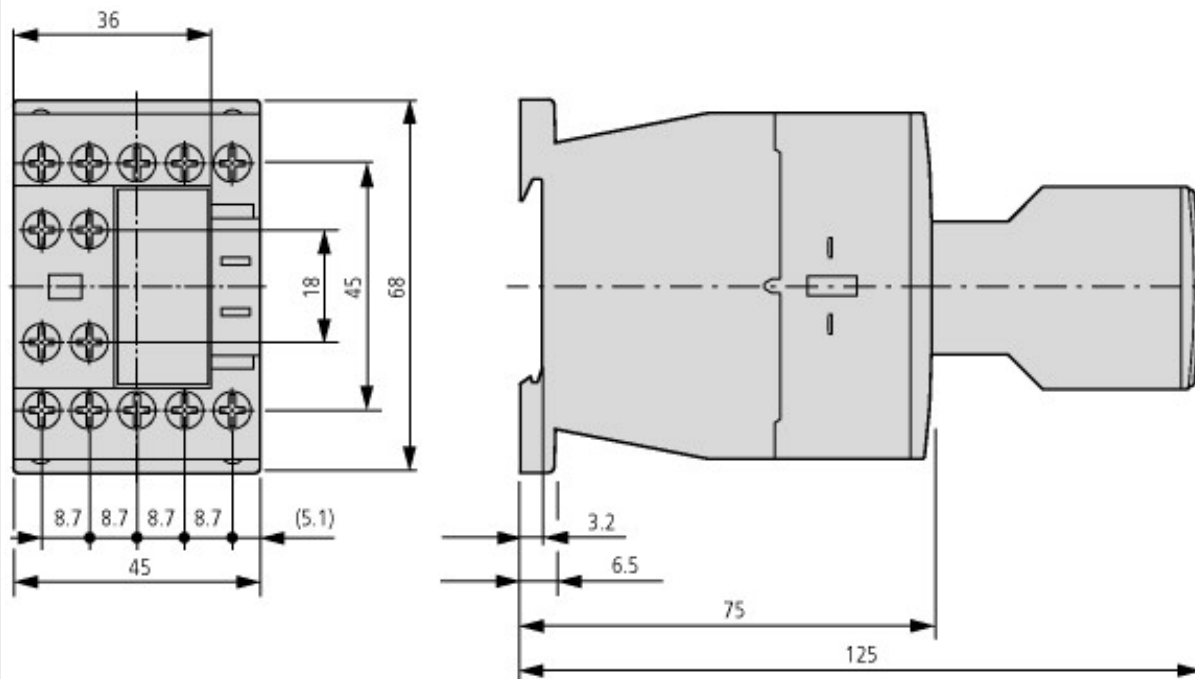
Switching conditions for non-motor consumers, 3 pole, 4 pole  
 Operating characteristics  
 Non inductive and slightly inductive loads  
 Electrical characteristics  
 Switch on: 1 x rated operational current  
 Switch off: 1 x rated operational current  
 Utilization category  
 100 % AC-1  
 Typical examples of application  
 Electric heat



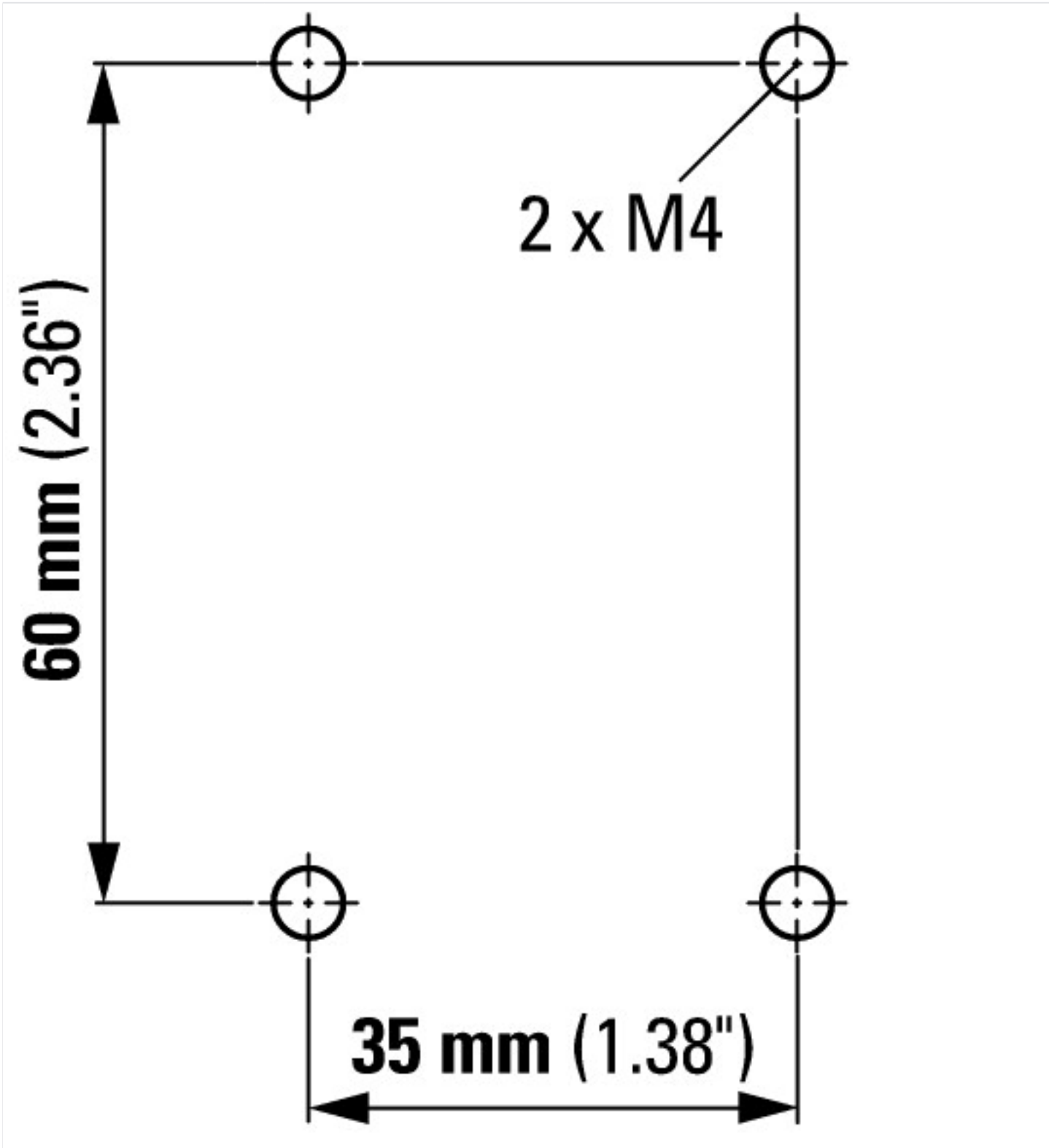
**Dimensions**



Contactor with auxiliary contact module DILM32-XHI.../DILA-XHI...



Contactor with auxiliary contact module DILA-XHIT...





# SCATTERGOOD & JOHNSON LTD

ELECTRICAL ENGINEERING & FLUID CONTROL DISTRIBUTORS

Est.1899

At Scattergood & Johnson Ltd, we pride ourselves on being a technical distributor to specialist industries.

Working with a range of quality product suppliers across a number of specialist markets, we are not your average 'box shifter' - we are your technical and supply chain partner.

We fully support every product we sell - for free! Our internal team and external sales engineers can answer any product or application question, no matter the complexity.

Backing up this technical ability is a range of 50,000+ products available from stock for nationwide next day delivery (same day if required!), or you can collect what you need from any of our trade counters around the UK.

Select your specialist interest below to learn more about how we can help.



Online, In Branch and On the Road - Scattergood & Johnson Ltd, there when you need us.

# [www.scatts.co.uk](http://www.scatts.co.uk)