



**Trip-Block ZM-PKZ2**




Powering Business Worldwide™

**Part no.**  
**Article no.**

**ZM-0,6-PKZ2**  
**024232**

**Delivery programme**

Product range			Accessories: PKZ2 System - PRODUCT DISCONTINUATION IN 2012
Accessories			Trip blocks
			with overload release
Max. motor rating			
AC-3			
220 V 230 V 240 V			
220 V 230 V	P	kW	0.09
380 V 400 V 415 V			
380 V 400 V	P	kW	0.12
440 V	P	kW	0.18
500 V	P	kW	0.25
660 V 690 V			
660 V 690 V	P	kW	0.25
Rated uninterrupted current	$I_u$	A	0.6
<b>Setting range</b>			
Overload releases	$I_r$	A	0.4 - 0.6
Short-circuit releases	$I_{rm}$	A	5 - 8
<b>Notes</b>			
Single-phasing sensitivity to IEC/EN 60947-4-1			
Suitable for the protection of EEx e motors			
PTB Certificate No.: 3.53-388.299			
Extension to ATEX applied for			
Overload releases, adjustable			
$I_r = 0.6 - 1.0 \times I_u$			
Adjustable short-circuit release			
$I_{rm} = 8.5 - 14 \times I_u$			
Factory set to $12 \times I_u$			
<b>Notes</b> Service factor (SF)			
Set value $I_r$ on the current scale, depending on the load factor			
Calculate motor power in this range according to the rated operational current. Stated values to NEC Table 430 - 150.			
Approved rating data			
Devices for world markets IEC  UL/CSA			
<b>Notes</b>			
When using the M-...-PKZ2 for short-circuit protection of motors with heavy-duty starting, the rated operating current e must be oversized by the following factors in the course of the project engineering:			
CLASS		Factor	
5		1.0	
10		1.0	
15		1.22	
20		1.41	
25		1.58	
30		1.73	
35		1.89	
40		2.0	

**Approvals**

Product Standards	UL 508; CSA-C22.2 No. 14; IEC60947-4-1; CE marking
UL File No.	E36332
UL CCN	NLRV
CSA File No.	12528
CSA Class No.	3211-05

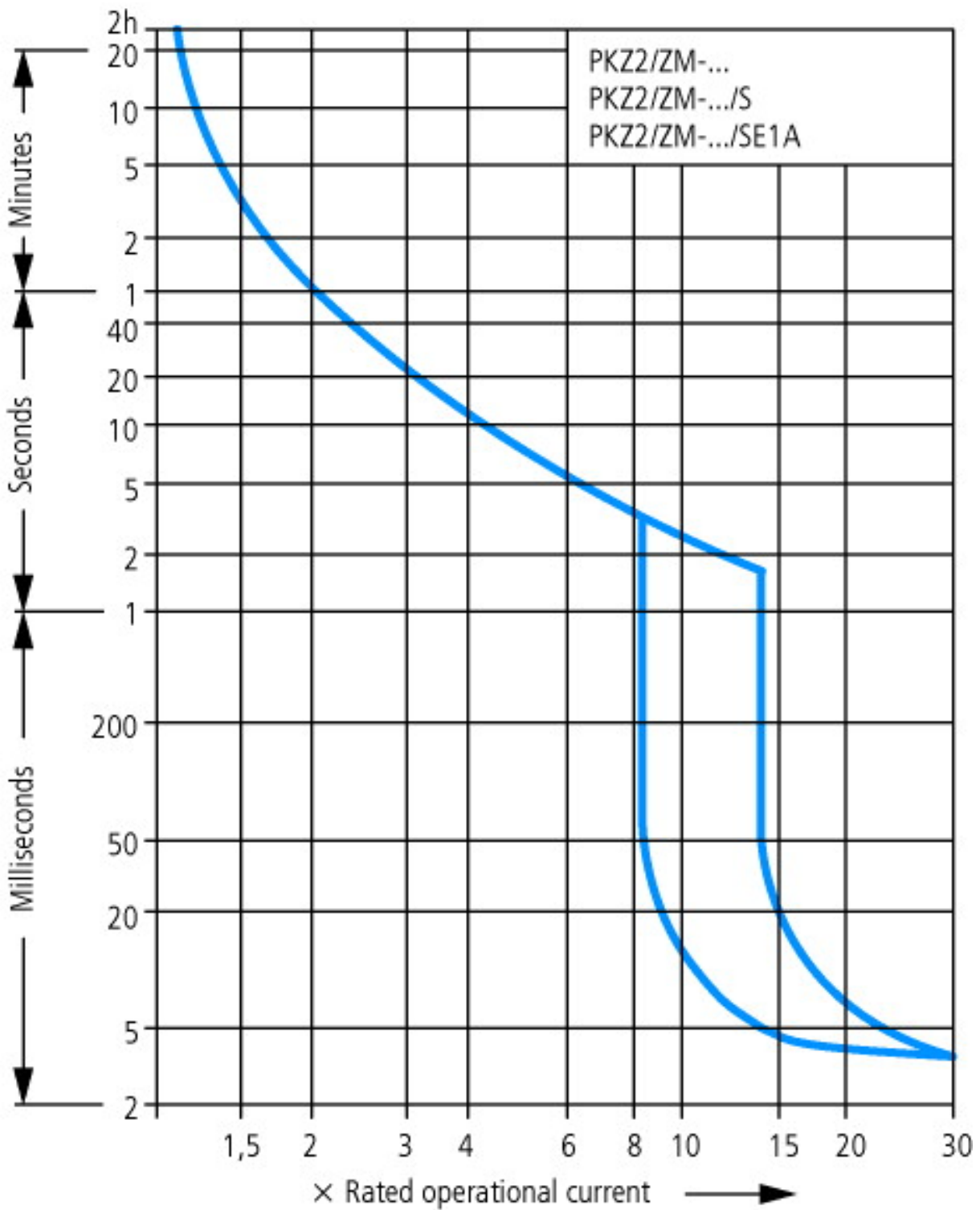
### ZM-..-PKZ2, ZMR-..-PKZ2 trip blocks for motor protection

Setting range of overload releases		$\times I_u$	0.6 - 1
Short-circuit releases		$\times I_u$	8.5 - 14
Phase-failure sensitivity			IEC/EN 60947-1-1, VDE 0660 Part 102

### Technical data ETIM 4.0

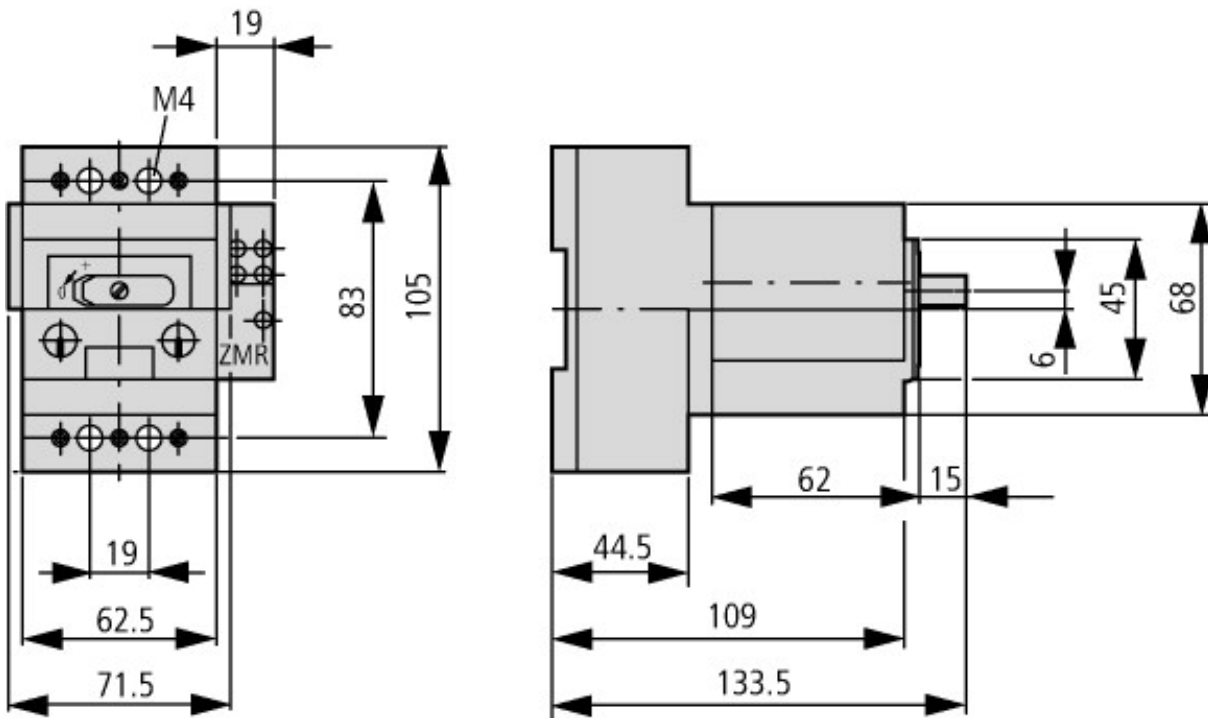
Final value of non-delayed short-circuit release setting range		A	8
Initial value of non-delayed short-circuit release setting range		A	5
Setting range of overload releases		A	0.6
Short-circuit release function			Non-delayed
Number of poles			3
Rated uninterrupted current $I_u$		A	0.6

### Characteristics



Motor-protective circuit-breaker (high-capacity) compact starter tripping characteristic

**Dimensions**



PKZ2/(Z)M-...

PKZ/ZM...

**Additional product information (links)**

**AWA1280-0876 Motor-protective circuit-breaker**

[AWA1280-0876 Motor-protective circuit-breaker](#)

**AWB1210-1485 PKZ2 motor-protective circuit-breakers, overload monitoring of EEx e motors**

[AWB1210-1485 PKZ2 motor-protective circuit-breakers, overload monitoring of EEx e motors](#)

Motor starters and "Special Purpose Ratings" for the North American market

[http://www.moeller.net/binary/ver\\_techpapers/ver953en.pdf](http://www.moeller.net/binary/ver_techpapers/ver953en.pdf)

Busbar Component Adapters for modern Industrial control panels

[http://www.moeller.net/binary/ver\\_techpapers/ver960en.pdf](http://www.moeller.net/binary/ver_techpapers/ver960en.pdf)



# SCATTERGOOD & JOHNSON LTD

ELECTRICAL ENGINEERING & FLUID CONTROL DISTRIBUTORS

Est.1899

At Scattergood & Johnson Ltd, we pride ourselves on being a technical distributor to specialist industries.

Working with a range of quality product suppliers across a number of specialist markets, we are not your average 'box shifter' - we are your technical and supply chain partner.

We fully support every product we sell - for free! Our internal team and external sales engineers can answer any product or application question, no matter the complexity.

Backing up this technical ability is a range of 50,000+ products available from stock for nationwide next day delivery (same day if required!), or you can collect what you need from any of our trade counters around the UK.

Select your specialist interest below to learn more about how we can help.



Online, In Branch and On the Road - Scattergood & Johnson Ltd, there when you need us.

# [www.scatts.co.uk](http://www.scatts.co.uk)