



Trip-Block ZM-8-PKZ2



Powering Business Worldwide™

Part no.
Article no.

ZM-32-8-PKZ2
055082

Delivery programme

Product range			Accessories: PKZ2 System - PRODUCT DISCONTINUATION IN 2012
Accessories			Trip blocks
Pole			3 pole
			with overload release
Rated uninterrupted current	I_u	A	32
Setting range			
Overload releases	I_r	A	24 - 32
Short-circuit releases	I_{rm}	A	160 - 280
Notes			
Overload releases, adjustable			
$I_r = 0.6 - 1.0 \times I_u$			
Adjustable short-circuit release			
$I_{rm} = 5 - 8.5 \times I_u$ factory set to $5 \times I_u$			

Approvals

Specially designed for NA

No

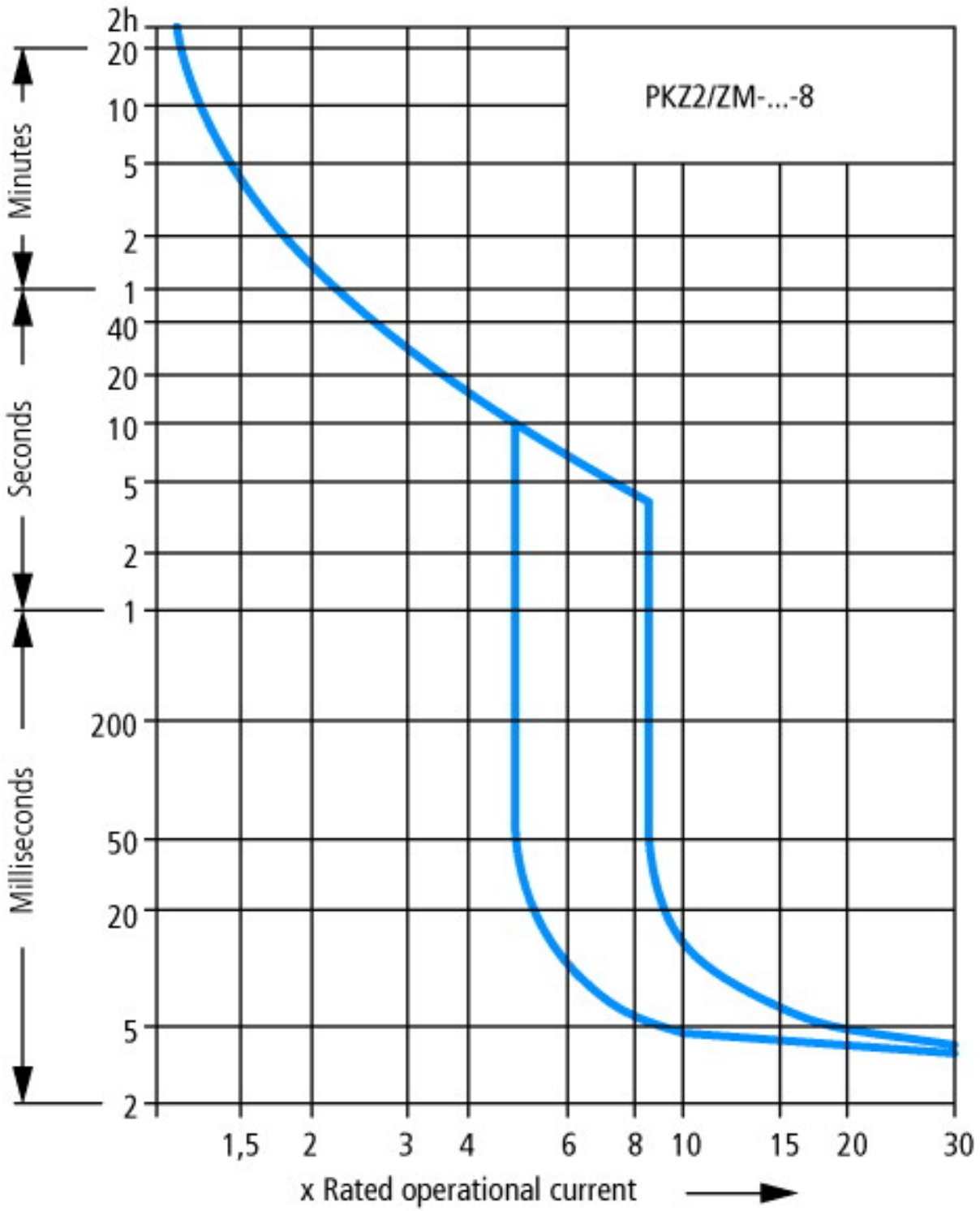
Releases

Function			System protection
Temperature compensation			
to IEC/EN 60947, VDE 0660		°C	- 5 ... 40
Operating range		°C	- 25 ... 60
Temperature compensation residual error for $T > 40$ °C			$\leq 0.25\%/K$
Short-circuit release tolerance			$\pm 20\%$
Setting range of overload releases		$\times I_u$	0.6 - 1
Short-circuit releases		$\times I_u$	5 - 8.5

Technical data ETIM 4.0

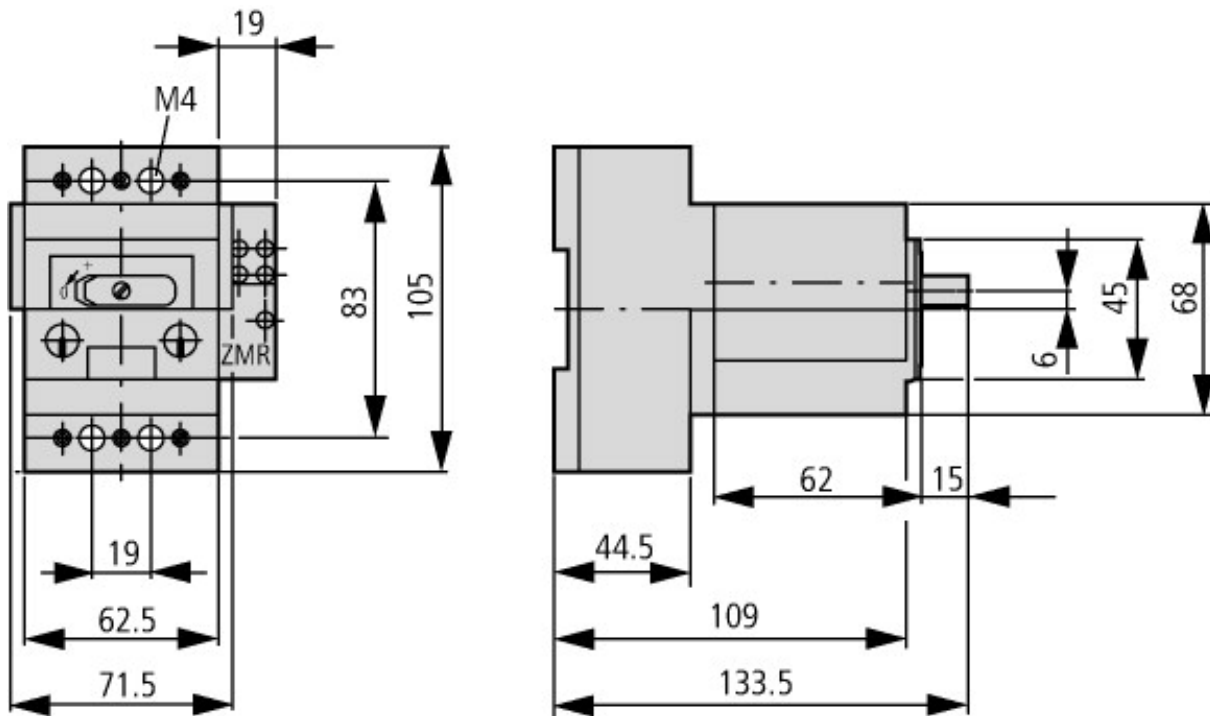
Final value of non-delayed short-circuit release setting range		A	280
Initial value of non-delayed short-circuit release setting range		A	160
Setting range of overload releases		A	32
Short-circuit release function			Non-delayed
Number of poles			3
Rated uninterrupted current I_u		A	32

Characteristics



Cable and line protection tripping characteristic

Dimensions



PKZ2(Z)M-...

Additional product information (links)

AWA1280-0876 Motor-protective circuit-breaker	
	AWA1280-0876 Motor-protective circuit-breaker
AWB1210-1485 PKZ2 motor-protective circuit-breakers, overload monitoring of EEx e motors	
	AWB1210-1485 PKZ2 motor-protective circuit-breakers, overload monitoring of EEx e motors
Motor starters and "Special Purpose Ratings" for the North American market	http://www.moeller.net/binary/ver_techpapers/ver953en.pdf
Busbar Component Adapters for modern Industrial control panels	http://www.moeller.net/binary/ver_techpapers/ver960en.pdf



SCATTERGOOD & JOHNSON LTD

ELECTRICAL ENGINEERING & FLUID CONTROL DISTRIBUTORS

Est.1899

At Scattergood & Johnson Ltd, we pride ourselves on being a technical distributor to specialist industries.

Working with a range of quality product suppliers across a number of specialist markets, we are not your average 'box shifter' - we are your technical and supply chain partner.

We fully support every product we sell - for free! Our internal team and external sales engineers can answer any product or application question, no matter the complexity.

Backing up this technical ability is a range of 50,000+ products available from stock for nationwide next day delivery (same day if required!), or you can collect what you need from any of our trade counters around the UK.

Select your specialist interest below to learn more about how we can help.



Online, In Branch and On the Road - Scattergood & Johnson Ltd, there when you need us.

www.scatts.co.uk