



Main switch assembly kit, handle red, size 2



Part no. NZM2-XHBR
Catalog No. 266633

EL-Nummer (Norway) 0004315579

Delivery program

| | | |
|------------------------------|--|---|
| Equipment supplied | | Door coupling rotary handle with rotary drive NZM...-XV4 extension shaft External warning plate/markings plate in German/English Black and yellow lightning symbol |
| Product range | | Accessories |
| Accessories | | Main switch assembly kit |
| Standard/Approval | | UL/CSA, IEC |
| Construction size | | NZM2 |
| Description | | Kit for use as a main switch |
| Function | | With red door coupling rotary handle for use of switch as emergency switching off device to IEC/EN 60204-1, VDE 0113 part 1 |
| Protection class | | IP66 UL/CSA Type 4X, Type 12 |
| Locking facility | | lockable on the 0 position on the handle using up to 3 padlocks With door interlock lockable on the switch in the 0 position |
| Door interlock | | Door interlock on OFF with max. 3 padlocks After the door interlock is activated, must not be opened while on ON or TRIP. Must only be opened on OFF Can be modified such that it can be defeated from the outside using a screwdriver Not defeated in the locked OFF position. Can only be switched ON when the door is closed |
| Project planning information | | External warning plate/designation label can be clipped on. For enhanced busbar tag shroud on the incomer side, please order IP2X protection against contact with a finger. |
| For use with | | NZM2(-4) PN2(-4), N(S)2(-4) |

Design verification as per IEC/EN 61439

| | | |
|--|--|--|
| IEC/EN 61439 design verification | | |
| 10.2 Strength of materials and parts | | |
| 10.2.2 Corrosion resistance | | Meets the product standard's requirements. |
| 10.2.3.1 Verification of thermal stability of enclosures | | Meets the product standard's requirements. |
| 10.2.3.2 Verification of resistance of insulating materials to normal heat | | Meets the product standard's requirements. |
| 10.2.3.3 Verification of resistance of insulating materials to abnormal heat and fire due to internal electric effects | | Meets the product standard's requirements. |
| 10.2.4 Resistance to ultra-violet (UV) radiation | | Meets the product standard's requirements. |
| 10.2.5 Lifting | | Does not apply, since the entire switchgear needs to be evaluated. |
| 10.2.6 Mechanical impact | | Does not apply, since the entire switchgear needs to be evaluated. |
| 10.2.7 Inscriptions | | Meets the product standard's requirements. |
| 10.3 Degree of protection of ASSEMBLIES | | Does not apply, since the entire switchgear needs to be evaluated. |
| 10.4 Clearances and creepage distances | | Meets the product standard's requirements. |
| 10.5 Protection against electric shock | | Does not apply, since the entire switchgear needs to be evaluated. |
| 10.6 Incorporation of switching devices and components | | Does not apply, since the entire switchgear needs to be evaluated. |
| 10.7 Internal electrical circuits and connections | | Is the panel builder's responsibility. |
| 10.8 Connections for external conductors | | Is the panel builder's responsibility. |
| 10.9 Insulation properties | | |
| 10.9.2 Power-frequency electric strength | | Is the panel builder's responsibility. |
| 10.9.3 Impulse withstand voltage | | Is the panel builder's responsibility. |
| 10.9.4 Testing of enclosures made of insulating material | | Is the panel builder's responsibility. |
| 10.10 Temperature rise | | The panel builder is responsible for the temperature rise calculation. Eaton will provide heat dissipation data for the devices. |
| 10.11 Short-circuit rating | | Is the panel builder's responsibility. The specifications for the switchgear must be observed. |

| | | |
|-------------------------------------|--|--|
| 10.12 Electromagnetic compatibility | | Is the panel builder's responsibility. The specifications for the switchgear must be observed. |
| 10.13 Mechanical function | | The device meets the requirements, provided the information in the instruction leaflet (IL) is observed. |

Technical data ETIM 7.0

Low-voltage industrial components (EG000017) / Handle for power circuit breaker (EC000229)

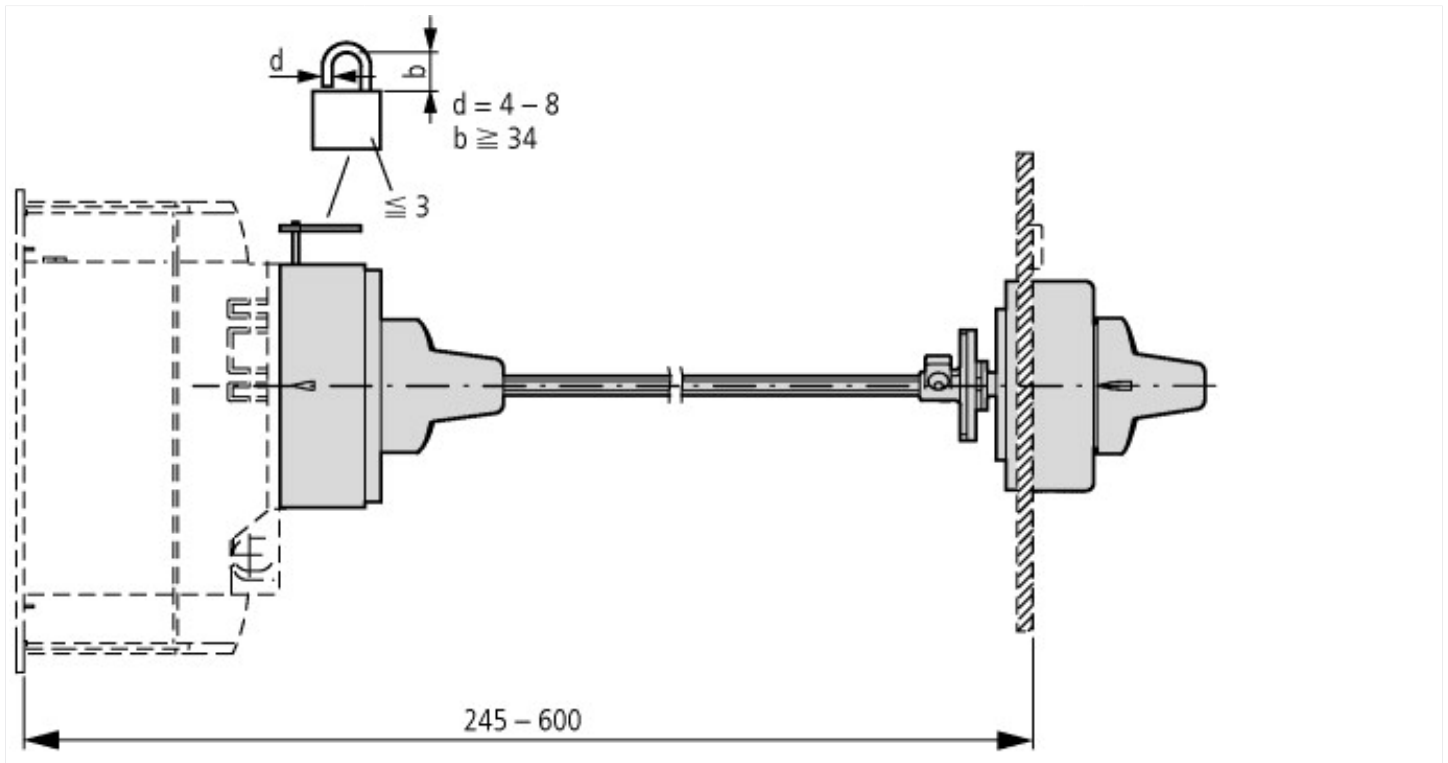
Electric engineering, automation, process control engineering / Low-voltage switch technology / Circuit breaker (LV < 1 kV) / Handle for switch devices (ecl@ss10.0.1-27-37-04-14 [AKF012014])

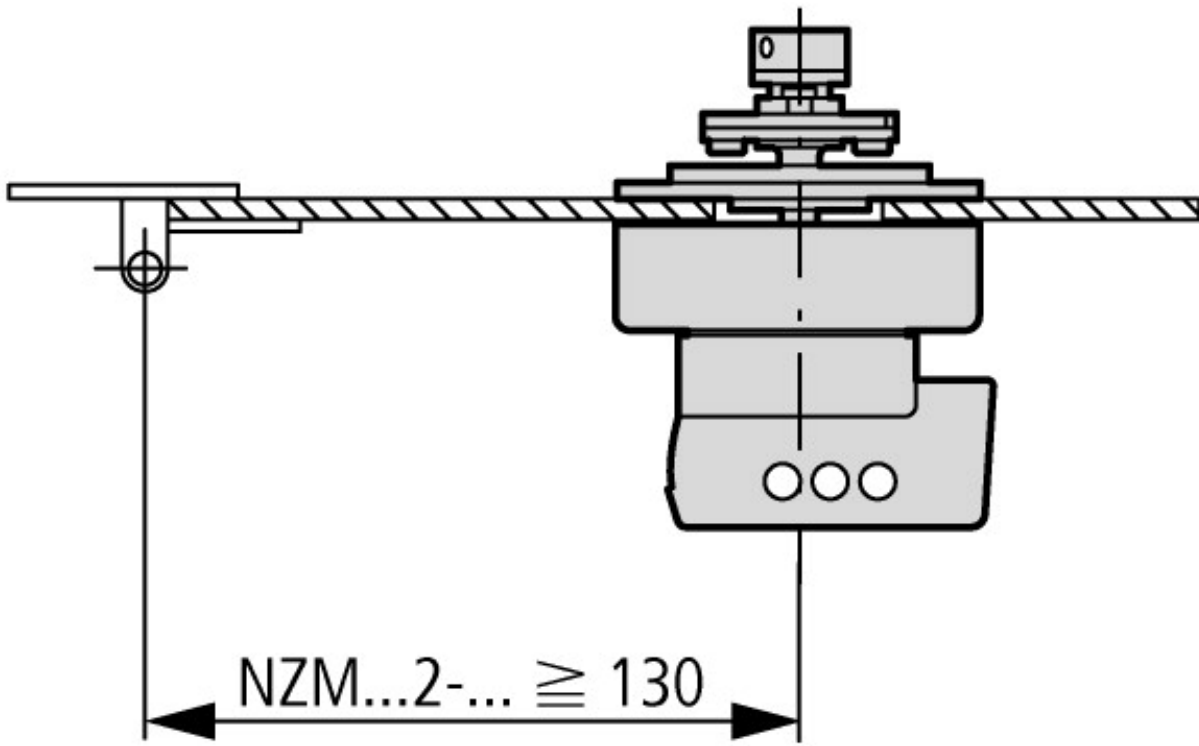
| | | |
|------------------------------------|--|-----|
| Lockable | | Yes |
| Colour | | Red |
| Suitable for emergency stop | | Yes |
| With extension shaft | | Yes |
| Suitable for power circuit breaker | | Yes |
| Suitable for switch disconnecter | | Yes |

Approvals

| | | |
|-----------------------------|--|---|
| Product Standards | | UL489; CSA-C22.2 No. 5-09; IEC60947, CE marking |
| UL File No. | | E140305 |
| UL Category Control No. | | DIHS |
| CSA File No. | | 022086 |
| CSA Class No. | | 1437-01 |
| North America Certification | | UL listed, CSA certified |
| Degree of Protection | | IEC: IP66, UL/CSA Type 4X, 12 |

Dimensions





Minimum door coupling rotary handle clearance from door pivot point



SCATTERGOOD & JOHNSON LTD

ELECTRICAL ENGINEERING & FLUID CONTROL DISTRIBUTORS

Est.1899

At Scattergood & Johnson Ltd, we pride ourselves on being a technical distributor to specialist industries.

Working with a range of quality product suppliers across a number of specialist markets, we are not your average 'box shifter' - we are your technical and supply chain partner.

We fully support every product we sell - for free! Our internal team and external sales engineers can answer any product or application question, no matter the complexity.

Backing up this technical ability is a range of 50,000+ products available from stock for nationwide next day delivery (same day if required!), or you can collect what you need from any of our trade counters around the UK.

Select your specialist interest below to learn more about how we can help.



Online, In Branch and On the Road - Scattergood & Johnson Ltd, there when you need us.

www.scatts.co.uk