

DATASHEET - PN1-XPA**Paralleling mechanism****Part no.** PN1-XPA**Catalog No.** 283471**EL-Nummer** 0004359008**(Norway)**

Powering Business Worldwide™

Delivery program

| | | |
|---|--|--|
| Description | | Simultaneous actuation of 2 PN switch-disconnectors of the same type mounted side-by-side not UL/CSA approved |
| For use with | | PN1(-4) + PN1(-4) |
| Notes | | |
| PN1, PN2 | | |
| | | <ul style="list-style-type: none"> 1 x rotary handle on switch (-XD) supplied. 1 x door coupling rotary handle (-XTVD) supplied. |
| Notes | | |
| | | Extension shaft (-XV4(6)) additionally required for the door coupling rotary handle. |
| | | Cannot be combined with mechanical interlock, insulating surrounds, side wall operators or remote operators |
| For use as Emergency-Stop device | | |
| | | For this the door coupling rotary handle requires an exchange thumb-grip in red/yellow according to the following order nos. |
| | | <ul style="list-style-type: none"> for PN1 and PN2: NZM2-XDGVR → 100747 for PN3: NZM3-XDGVR → 100764; Note: The locking function of these thumb-grips must not be used. |

Design verification as per IEC/EN 61439

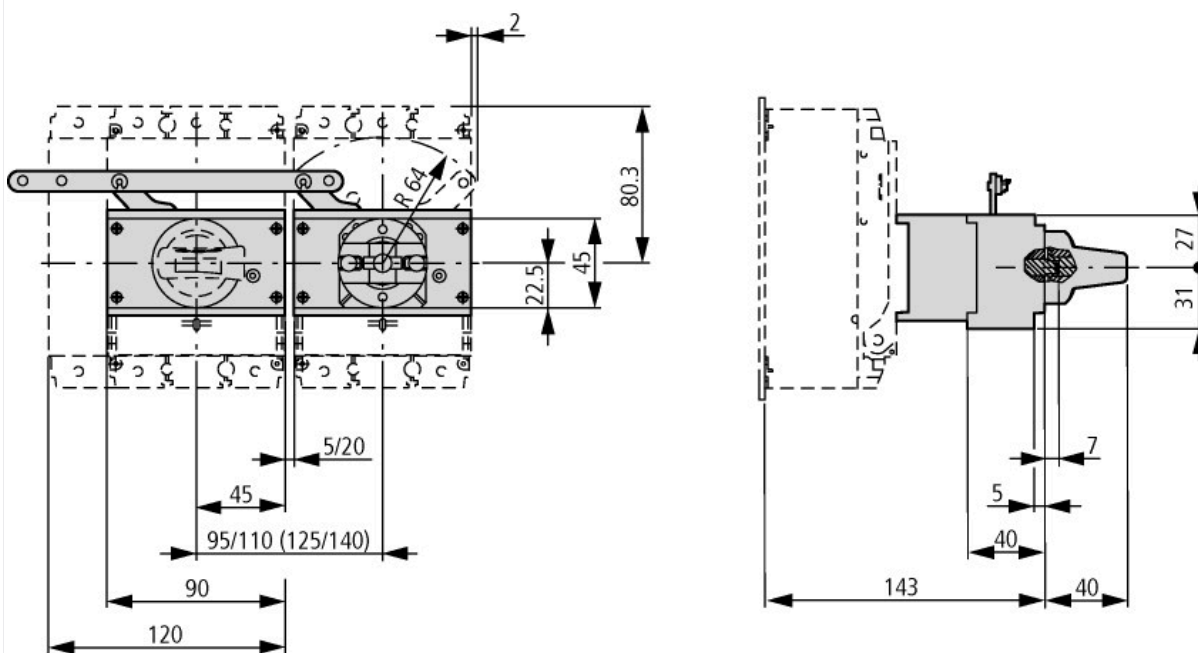
| | | |
|--|--|--|
| IEC/EN 61439 design verification | | |
| 10.2 Strength of materials and parts | | |
| 10.2.2 Corrosion resistance | | Meets the product standard's requirements. |
| 10.2.3.1 Verification of thermal stability of enclosures | | Meets the product standard's requirements. |
| 10.2.3.2 Verification of resistance of insulating materials to normal heat | | Meets the product standard's requirements. |
| 10.2.3.3 Verification of resistance of insulating materials to abnormal heat and fire due to internal electric effects | | Meets the product standard's requirements. |
| 10.2.4 Resistance to ultra-violet (UV) radiation | | Meets the product standard's requirements. |
| 10.2.5 Lifting | | Does not apply, since the entire switchgear needs to be evaluated. |
| 10.2.6 Mechanical impact | | Does not apply, since the entire switchgear needs to be evaluated. |
| 10.2.7 Inscriptions | | Meets the product standard's requirements. |
| 10.3 Degree of protection of ASSEMBLIES | | Does not apply, since the entire switchgear needs to be evaluated. |
| 10.4 Clearances and creepage distances | | Meets the product standard's requirements. |
| 10.5 Protection against electric shock | | Does not apply, since the entire switchgear needs to be evaluated. |
| 10.6 Incorporation of switching devices and components | | Does not apply, since the entire switchgear needs to be evaluated. |
| 10.7 Internal electrical circuits and connections | | Is the panel builder's responsibility. |
| 10.8 Connections for external conductors | | Is the panel builder's responsibility. |
| 10.9 Insulation properties | | |
| 10.9.2 Power-frequency electric strength | | Is the panel builder's responsibility. |
| 10.9.3 Impulse withstand voltage | | Is the panel builder's responsibility. |
| 10.9.4 Testing of enclosures made of insulating material | | Is the panel builder's responsibility. |
| 10.10 Temperature rise | | The panel builder is responsible for the temperature rise calculation. Eaton will provide heat dissipation data for the devices. |
| 10.11 Short-circuit rating | | Is the panel builder's responsibility. The specifications for the switchgear must be observed. |
| 10.12 Electromagnetic compatibility | | Is the panel builder's responsibility. The specifications for the switchgear must be observed. |
| 10.13 Mechanical function | | The device meets the requirements, provided the information in the instruction leaflet (IL) is observed. |

Technical data ETIM 7.0

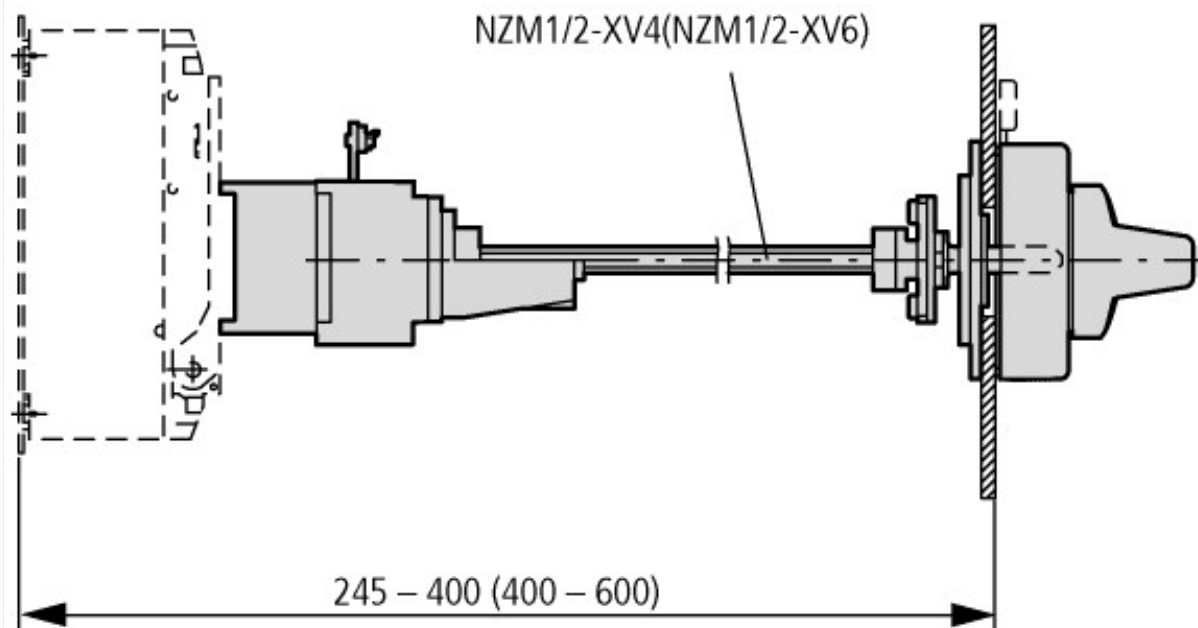
Low-voltage industrial components (EG000017) / Handle for power circuit breaker (EC000229)

| | | |
|------------------------------------|--|-------|
| Lockable | | Yes |
| Colour | | Black |
| Suitable for emergency stop | | No |
| With extension shaft | | No |
| Suitable for power circuit breaker | | Yes |
| Suitable for switch disconnecter | | Yes |

Dimensions

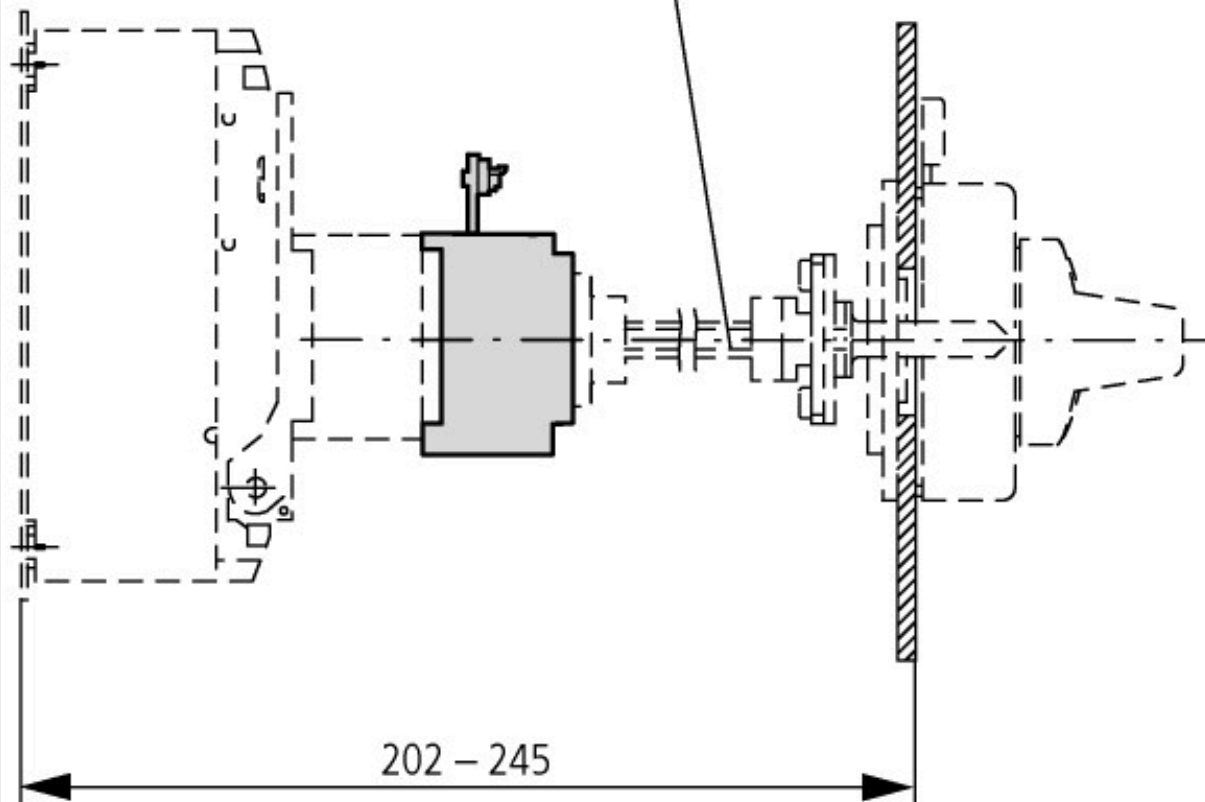


PN1-XPA

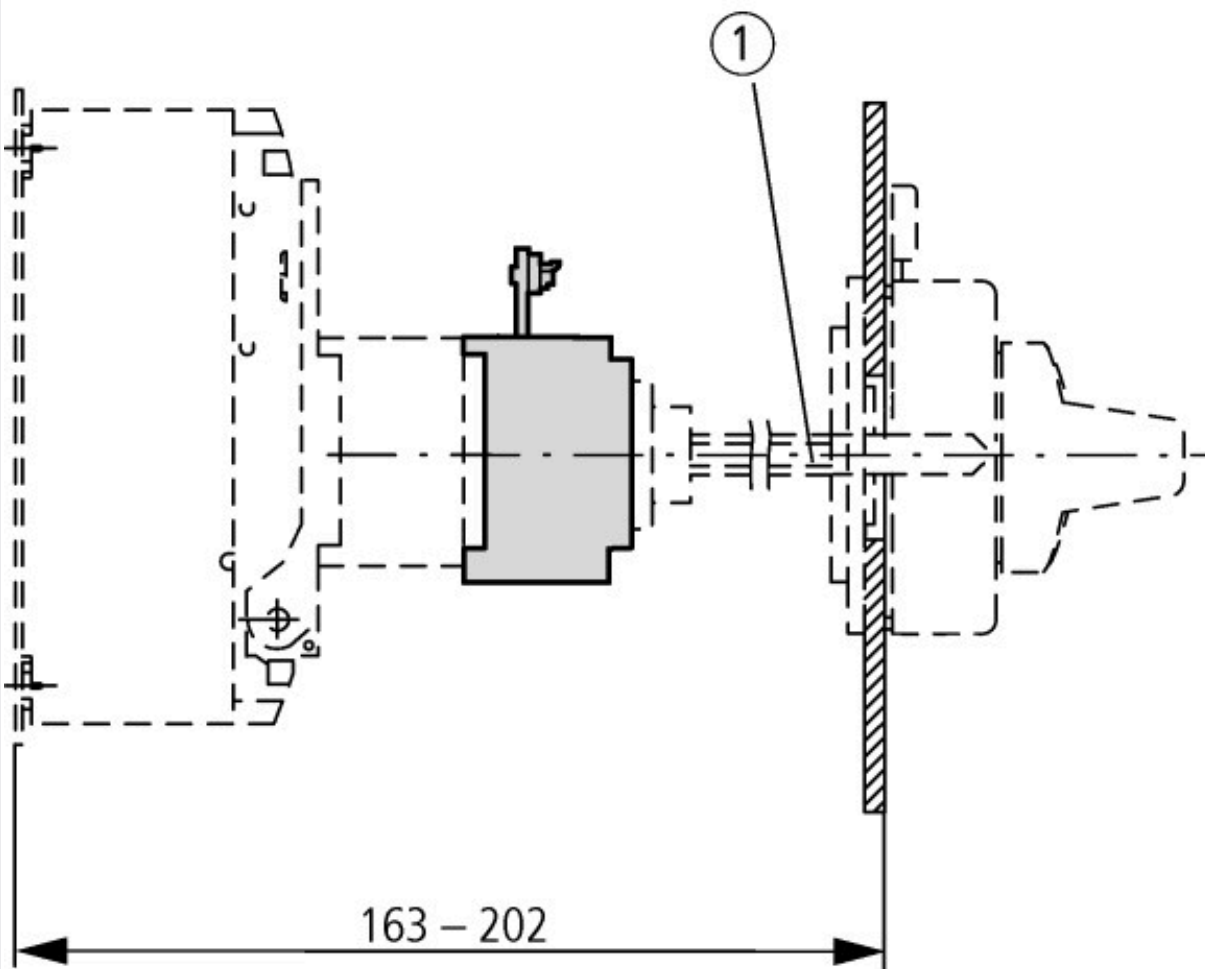


PN1-XPA

NZM1/2-XV...



PN1-XPA + NZM1-XTD-60



PN1-XPA + NZM1-XTD-0

① Special tip



SCATTERGOOD & JOHNSON LTD

ELECTRICAL ENGINEERING & FLUID CONTROL DISTRIBUTORS

Est.1899

At Scattergood & Johnson Ltd, we pride ourselves on being a technical distributor to specialist industries.

Working with a range of quality product suppliers across a number of specialist markets, we are not your average 'box shifter' - we are your technical and supply chain partner.

We fully support every product we sell - for free! Our internal team and external sales engineers can answer any product or application question, no matter the complexity.

Backing up this technical ability is a range of 50,000+ products available from stock for nationwide next day delivery (same day if required!), or you can collect what you need from any of our trade counters around the UK.

Select your specialist interest below to learn more about how we can help.



Online, In Branch and On the Road - Scattergood & Johnson Ltd, there when you need us.

www.scatts.co.uk