

## DATASHEET - KT13,5



## Cable grommet, PG13.5, IP65\_x

Part no. **KT13,5**Catalog No. **019658**EL-Nummer  
(Norway) **0004132341**

Powering Business Worldwide™

## Delivery program

Product range			General switchboard accessories
Accessories			Cable management
Accessories			Cable grommets
For use with			For wall thickness 2 - 8 mm
Material			Soft PVC cadmium- and lead-free
Surface finish			similar RAL 7035
Cable entry			PG 13.5
Hole diameter		mm	21,5
Outer cable diameter		mm	7 - 16
Example of application: NYM/NYY cable, 4-core		mm <sup>2</sup>	1,5 - 4

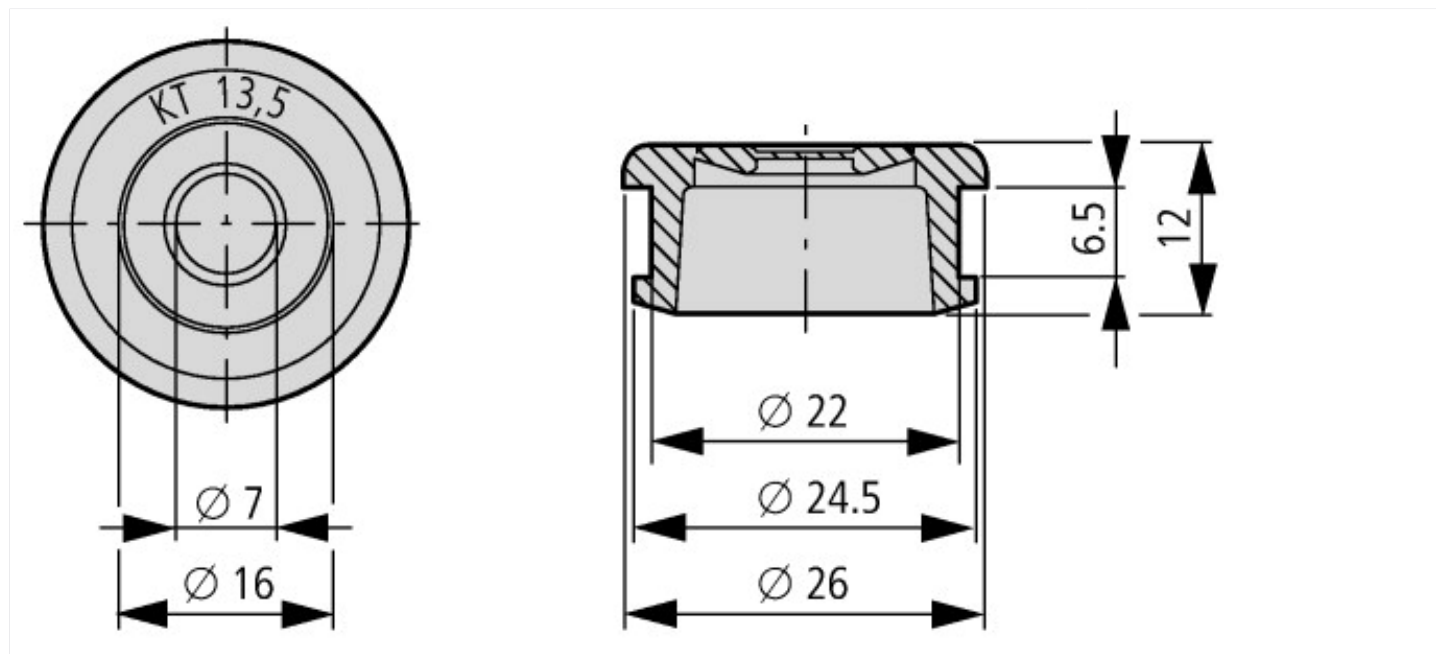
## Technical data

## Material characteristics

Material			Soft PVC cadmium- and lead-free
----------	--	--	------------------------------------

## Technical data ETIM 7.0

Cable and wire entry systems (EG000009) / Cable entry sleeve (EC000879)			
Electric engineering, automation, process control engineering / Electrical installation, device / Connection devices / Feed through spout (ecl@ss10.0.1-27-14-44-21 [ADI139007])			
Model			Closed
Insert for cable gland			No
Cable entry			Round
Number of cables			1 - 1
Suitable for cable diameter		mm	7 - 16
Bore diameter		mm	21.5
For wall thickness		mm	1 - 6.5
Thread size (metric)			0
Thread size PG			13.5
Total length		mm	0
With strain relief			No
Shrink technique			No
Angle model			No
Material			Plastic
Material quality			Polyvinyl chloride (PVC)
Surface protection			Other
Halogen free			No
Colour			Grey
Gastight			Yes
Fire resistant			No
Watertight			Yes
Degree of protection (IP)			IP65
Working temperature		°C	-5 - 40

**Dimensions**



# SCATTERGOOD & JOHNSON LTD

ELECTRICAL ENGINEERING & FLUID CONTROL DISTRIBUTORS

Est.1899

At Scattergood & Johnson Ltd, we pride ourselves on being a technical distributor to specialist industries.

Working with a range of quality product suppliers across a number of specialist markets, we are not your average 'box shifter' - we are your technical and supply chain partner.

We fully support every product we sell - for free! Our internal team and external sales engineers can answer any product or application question, no matter the complexity.

Backing up this technical ability is a range of 50,000+ products available from stock for nationwide next day delivery (same day if required!), or you can collect what you need from any of our trade counters around the UK.

Select your specialist interest below to learn more about how we can help.



Online, In Branch and On the Road - Scattergood & Johnson Ltd, there when you need us.

# [www.scatts.co.uk](http://www.scatts.co.uk)