

**DATASHEET - T3-3-8212/I2**



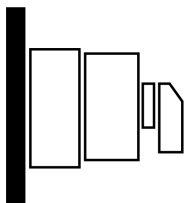
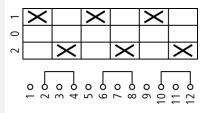
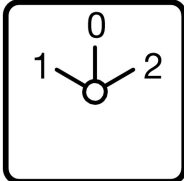
**Changeover switches, T3, 32 A, surface mounting, 3 contact unit(s),  
Contacts: 6, 60 °, maintained, With 0 (Off) position, 1-0-2, Design number  
8212**



**Part no. T3-3-8212/I2  
Catalog No. 207183**

**EL-Nummer 0001456811  
(Norway)**

**Delivery program**

|  |                |                 |  |
|--|----------------|-----------------|--|
| Product range                                      |                |                 | Control switches   |
| Part group reference                               |                |                 | T3   |
| Basic function                                     |                |                 | Changeover switches<br>with black thumb grip and front plate   |
| Contacts   |                |                 | 6  |
| Degree of Protection                               |                |                 | IP65   |
|  |                |                 | <b>totally insulated</b>   |
| Design   |                |                 | surface mounting<br> |
| Contact sequence                                   |                |                 |                    |
| Switching angle                                    |                | °               | 60   |
| Switching performance                              |                |                 | maintained<br>With 0 (Off) position  |
| Design number                                      |                |                 | 8212   |
| Front plate no.                                    |                |                 | <br><b>FS 684</b>  |
| front plate  |                |                 | 1-0-2  |
| <b>Motor rating AC-23A, 50 - 60 Hz</b>             |                |                 |  |
| 400 V  | P              | kW              | 15   |
| Rated uninterrupted current                        | I <sub>u</sub> | A               | 32   |
| Note on rated uninterrupted current I <sub>u</sub> |                |                 | Rated uninterrupted current I <sub>u</sub> is specified for max. cross-section.                        |
| Number of contact units                            |                | contact unit(s) | 3  |

**Technical data**

|                     |  |    |  |
|---------------------|--|----|--|
| <b>General</b>      |  |    |  |
| Standards           |  |    | IEC/EN 60947, VDE 0660, IEC/EN 60204, CSA, UL<br>Switch-disconnector according to IEC/EN 60947-3 |
| Climatic proofing   |  |    | Damp heat, constant, to IEC 60068-2-78<br>Damp heat, cyclic, to IEC 60068-2-30                   |
| Ambient temperature |  |    |  |
| Enclosed            |  | °C | -25 - +40  |

|                                       |           |      |             |
|---------------------------------------|-----------|------|-------------|
| Overvoltage category/pollution degree |           |      | III/3       |
| Rated impulse withstand voltage       | $U_{imp}$ | V AC | 6000        |
| Mechanical shock resistance           |           | g    | 12          |
| Mounting position                     |           |      | As required |

## Contacts

|   |          |              |  |
|---|----------|--------------|--|
| Electrical characteristics                          |          |              |  |
| Rated operational voltage                           | $U_e$    | V AC         | 690  |
| Rated uninterrupted current                         | $I_u$    | A            | 32   |
| Note on rated uninterrupted current $I_u$           |          |              | Rated uninterrupted current $I_u$ is specified for max. cross-section. |
| Load rating with intermittent operation, class 12   |          |              |  |
| AB 25 % DF  |          | $\times I_e$ | 2  |
| AB 40 % DF  |          | $\times I_e$ | 1.6  |
| AB 60 % DF  |          | $\times I_e$ | 1.3  |
| Short-circuit rating                                |          |              |  |
| Fuse  |          | A gG/gL      | 35   |
| Rated short-time withstand current (1 s current)    | $I_{cw}$ | $A_{rms}$    | 650  |
| Note on rated short-time withstand current $I_{cw}$ |          |              | Current for a time of 1 second   |
| Rated conditional short-circuit current             | $I_q$    | kA           | 1  |

## Switching capacity

|  |              |               |       |
|--|--------------|---------------|-------|
| cos $\phi$ rated making capacity as per IEC 60947-3            |              | A             | 320   |
| Rated breaking capacity cos $\phi$ to IEC 60947-3              |              | A             |       |
| 230 V  |              | A             | 260   |
| 400/415 V  |              | A             | 260   |
| 500 V  |              | A             | 240   |
| 690 V  |              | A             | 170   |
| Safe isolation to EN 61140                                     |              |               |       |
| between the contacts   |              | V AC          | 440   |
| Current heat loss per contact at $I_e$                         |              | W             | 1.1   |
| Current heat loss per auxiliary circuit at $I_e$ (AC-15/230 V) |              | CO            | 1.1   |
| Lifespan, mechanical   | Operations   | $\times 10^6$ | > 0.5 |
| Maximum operating frequency                                    | Operations/h |               | 1200  |
| AC   |              |               |       |
| AC-3   |              |               |       |
| Rating, motor load switch                                      | P            | kW            |       |
| 220 V 230 V  | P            | kW            | 5.5   |
| 230 V Star-delta   | P            | kW            | 7.5   |
| 400 V 415 V  | P            | kW            | 11    |
| 400 V Star-delta   | P            | kW            | 15    |
| 500 V  | P            | kW            | 15    |
| 500 V Star-delta   | P            | kW            | 18.5  |
| 690 V  | P            | kW            | 11    |
| 690 V Star-delta   | P            | kW            | 22    |
| Rated operational current motor load switch                    |              |               |       |
| 230 V  | $I_e$        | A             | 23.7  |
| 230 V star-delta   | $I_e$        | A             | 32    |
| 400V 415 V   | $I_e$        | A             | 23.7  |
| 400 V star-delta   | $I_e$        | A             | 32    |
| 500 V  | $I_e$        | A             | 23.7  |
| 500 V star-delta   | $I_e$        | A             | 32    |
| 690 V  | $I_e$        | A             | 14.7  |
| 690 V star-delta   | $I_e$        | A             | 25.5  |
| AC-21A   |              |               |       |
| Rated operational current switch                               |              |               |       |
| 440 V  | $I_e$        | A             | 32    |

|   |                   |                |  |
|---|-------------------|----------------|--|
| <b>AC-23A</b>                                 |                   |                |  |
| Motor rating AC-23A, 50 - 60 Hz               | P                 | kW             |  |
| 230 V   | P                 | kW             | 7.5  |
| 400 V 415 V                                   | P                 | kW             | 15   |
| 500 V   | P                 | kW             | 15   |
| 690 V   | P                 | kW             | 15   |
| Rated operational current motor load switch   |                   |                |  |
| 230 V   | I <sub>e</sub>    | A              | 32   |
| 400 V 415 V                                   | I <sub>e</sub>    | A              | 32   |
| 500 V   | I <sub>e</sub>    | A              | 26.4   |
| 690 V   | I <sub>e</sub>    | A              | 17   |
| <b>DC</b>                                     |                   |                |  |
| DC-1, Load-break switches L/R = 1 ms          |                   |                |  |
| Rated operational current                     | I <sub>e</sub>    | A              | 25   |
| Voltage per contact pair in series            |                   | V              | 60   |
| DC-21A  |                   |                |  |
| Rated operational current                     | I <sub>e</sub>    | A              | 1  |
| Contacts                                      |                   | Quantity       | 1  |
| DC-23A, motor load switch L/R = 15 ms         |                   |                |  |
| 24 V  |                   |                |  |
| Rated operational current                     | I <sub>e</sub>    | A              | 25   |
| Contacts                                      |                   | Quantity       | 1  |
| 48 V  |                   |                |  |
| Rated operational current                     | I <sub>e</sub>    | A              | 25   |
| Contacts                                      |                   | Quantity       | 2  |
| 60 V  |                   |                |  |
| Rated operational current                     | I <sub>e</sub>    | A              | 25   |
| Contacts                                      |                   | Quantity       | 3  |
| 120 V   |                   |                |  |
| Rated operational current                     | I <sub>e</sub>    | A              | 12   |
| Contacts                                      |                   | Quantity       | 3  |
| 240 V   |                   |                |  |
| Rated operational current                     | I <sub>e</sub>    | A              | 5  |
| Contacts                                      |                   | Quantity       | 5  |
| DC-13, Control switches L/R = 50 ms           |                   |                |  |
| Rated operational current                     | I <sub>e</sub>    | A              | 20   |
| Voltage per contact pair in series            |                   | V              | 24   |
| Control circuit reliability at 24 V DC, 10 mA | Fault probability | H <sub>F</sub> | < 10 <sup>-5</sup> , < 1 failure in 100,000 switching operations |

### Terminal capacities

|                                      |  |                 |                                  |
|--------------------------------------|--|-----------------|----------------------------------|
| Solid or stranded                    |  | mm <sup>2</sup> | 1 x (1 - 6)<br>2 x (1 - 6)       |
| Flexible with ferrules to DIN 46228  |  | mm <sup>2</sup> | 1 x (0.75 - 4)<br>2 x (0.75 - 4) |
| Terminal screw                       |  |                 | M4                               |
| Tightening torque for terminal screw |  | Nm              | 1.6                              |

### Technical safety parameters:

|              |  |  |   |
|--------------|--|--|---|
| <b>Notes</b> |  |  | B10 <sub>d</sub> values as per EN ISO 13849-1, table C1 |
|--------------|--|--|---|

### Rating data for approved types

|                                  |                |      |     |
|----------------------------------|----------------|------|-----|
| <b>Contacts</b>                  |                |      |     |
| Rated operational voltage        | U <sub>e</sub> | V AC | 600 |
| Rated uninterrupted current max. |                |      |     |
| Main conducting paths            |                |      |     |
| General use                      |                | A    | 25  |
| Auxiliary contacts               |                |      |     |
| General Use                      | I <sub>U</sub> | A    | 10  |

|  |  |       |             |
|--|--|-------|-------------|
| Pilot Duty                               |  |       | A 600       |
| Switching capacity                       |  |       |             |
| Maximum motor rating                     |  |       |             |
| Single-phase                             |  |       |             |
| 120 V AC                                 |  | HP    | 1.5         |
| 200 V AC                                 |  | HP    | 3           |
| 240 V AC                                 |  | HP    | 3           |
| Three-phase                              |  |       |             |
| 200 V AC                                 |  | HP    | 3           |
| 240 V AC                                 |  | HP    | 3           |
| 480 V AC                                 |  | HP    | 7.5         |
| 600 V AC                                 |  | HP    | 10          |
| Short Circuit Current Rating             |  | SCCR  |             |
| Basic Rating                             |  | kA    | 5           |
| max. Fuse                                |  | A     | 40          |
| High fault rating                        |  | kA    | 10          |
| max. Fuse                                |  | A     | 40, Class J |
| Terminal capacity                        |  |       |             |
| Solid or flexible conductor with ferrule |  | AWG   | 14 - 10     |
| Terminal screw                           |  |       | M4          |
| Tightening torque                        |  | lb-in | 17.7        |

## Design verification as per IEC/EN 61439

|  |            |    |  |
|--|------------|----|--|
| Technical data for design verification   |            |    |  |
| Rated operational current for specified heat dissipation   | $I_n$      | A  | 32   |
| Heat dissipation per pole, current-dependent   | $P_{vid}$  | W  | 1.1  |
| Equipment heat dissipation, current-dependent  | $P_{vid}$  | W  | 0  |
| Static heat dissipation, non-current-dependent   | $P_{vs}$   | W  | 0  |
| Heat dissipation capacity  | $P_{diss}$ | W  | 0  |
| Operating ambient temperature min.   |            | °C | -25  |
| Operating ambient temperature max.   |            | °C | 40   |
| IEC/EN 61439 design verification   |            |    |  |
| 10.2 Strength of materials and parts   |            |    |  |
| 10.2.2 Corrosion resistance  |            |    |  |
| 10.2.2.1 Verification of thermal stability of enclosures   |            |    | Meets the product standard's requirements.                         |
| 10.2.2.2 Verification of resistance of insulating materials to normal heat   |            |    | Meets the product standard's requirements.                         |
| 10.2.2.3 Verification of resistance of insulating materials to abnormal heat and fire due to internal electric effects |            |    | Meets the product standard's requirements.                         |
| 10.2.4 Resistance to ultra-violet (UV) radiation   |            |    | UV resistance only in connection with protective shield.           |
| 10.2.5 Lifting   |            |    | Does not apply, since the entire switchgear needs to be evaluated. |
| 10.2.6 Mechanical impact   |            |    | Does not apply, since the entire switchgear needs to be evaluated. |
| 10.2.7 Inscriptions  |            |    | Meets the product standard's requirements.                         |
| 10.3 Degree of protection of ASSEMBLIES  |            |    |  |
| 10.4 Clearances and creepage distances   |            |    |  |
| 10.5 Protection against electric shock   |            |    |  |
| 10.6 Incorporation of switching devices and components   |            |    |  |
| 10.7 Internal electrical circuits and connections  |            |    |  |
| 10.8 Connections for external conductors   |            |    |  |
| 10.9 Insulation properties   |            |    |  |
| 10.9.2 Power-frequency electric strength   |            |    | Is the panel builder's responsibility.                             |
| 10.9.3 Impulse withstand voltage   |            |    | Is the panel builder's responsibility.                             |
| 10.9.4 Testing of enclosures made of insulating material   |            |    | Is the panel builder's responsibility.                             |
| 10.10 Temperature rise   |            |    |  |
| 10.11 Short-circuit rating   |            |    |  |

|                                     |  |  |
|-------------------------------------|--|--|
| 10.12 Electromagnetic compatibility |  | Is the panel builder's responsibility. The specifications for the switchgear must be observed.           |
| 10.13 Mechanical function           |  | The device meets the requirements, provided the information in the instruction leaflet (IL) is observed. |

## Technical data ETIM 7.0

Low-voltage industrial components (EG000017) / Off-load switch (EC001105)

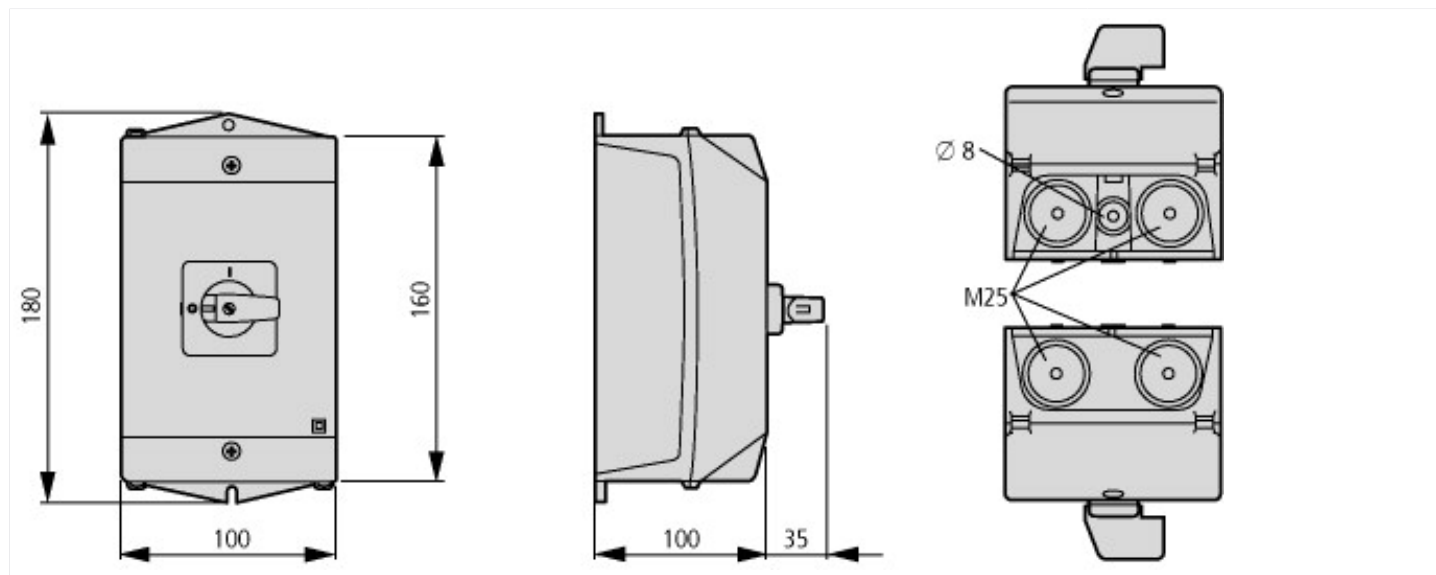
Electric engineering, automation, process control engineering / Low-voltage switch technology / Off-load switch, circuit breaker, control switch / Changeover switch (ecl@ss10.0.1-27-37-14-05 [AKF062013])

|   |    |                  |
|---|----|------------------|
| Model   |    | Reverser         |
| Number of poles   |    | 3                |
| With 0 (off) position                                   |    | Yes              |
| With retraction in 0-position                           |    | No               |
| Rated permanent current I <sub>u</sub>                  | A  | 32               |
| Rated operation current I <sub>e</sub> at AC-3, 400 V   | A  | 23.7             |
| Rated operation power at AC-3, 400 V                    | kW | 12               |
| Degree of protection (IP), front side                   |    | IP65             |
| Degree of protection (NEMA), front side                 |    | 12               |
| Number of auxiliary contacts as normally closed contact |    | 0                |
| Number of auxiliary contacts as normally open contact   |    | 0                |
| Number of auxiliary contacts as change-over contact     |    | 0                |
| Suitable for ground mounting                            |    | Yes              |
| Suitable for front mounting 4-hole                      |    | No               |
| Suitable for distribution board installation            |    | No               |
| Suitable for intermediate mounting                      |    | No               |
| Complete device in housing                              |    | Yes              |
| Material housing  |    | Plastic          |
| Type of control element                                 |    | Toggle           |
| Type of electrical connection of main circuit           |    | Screw connection |

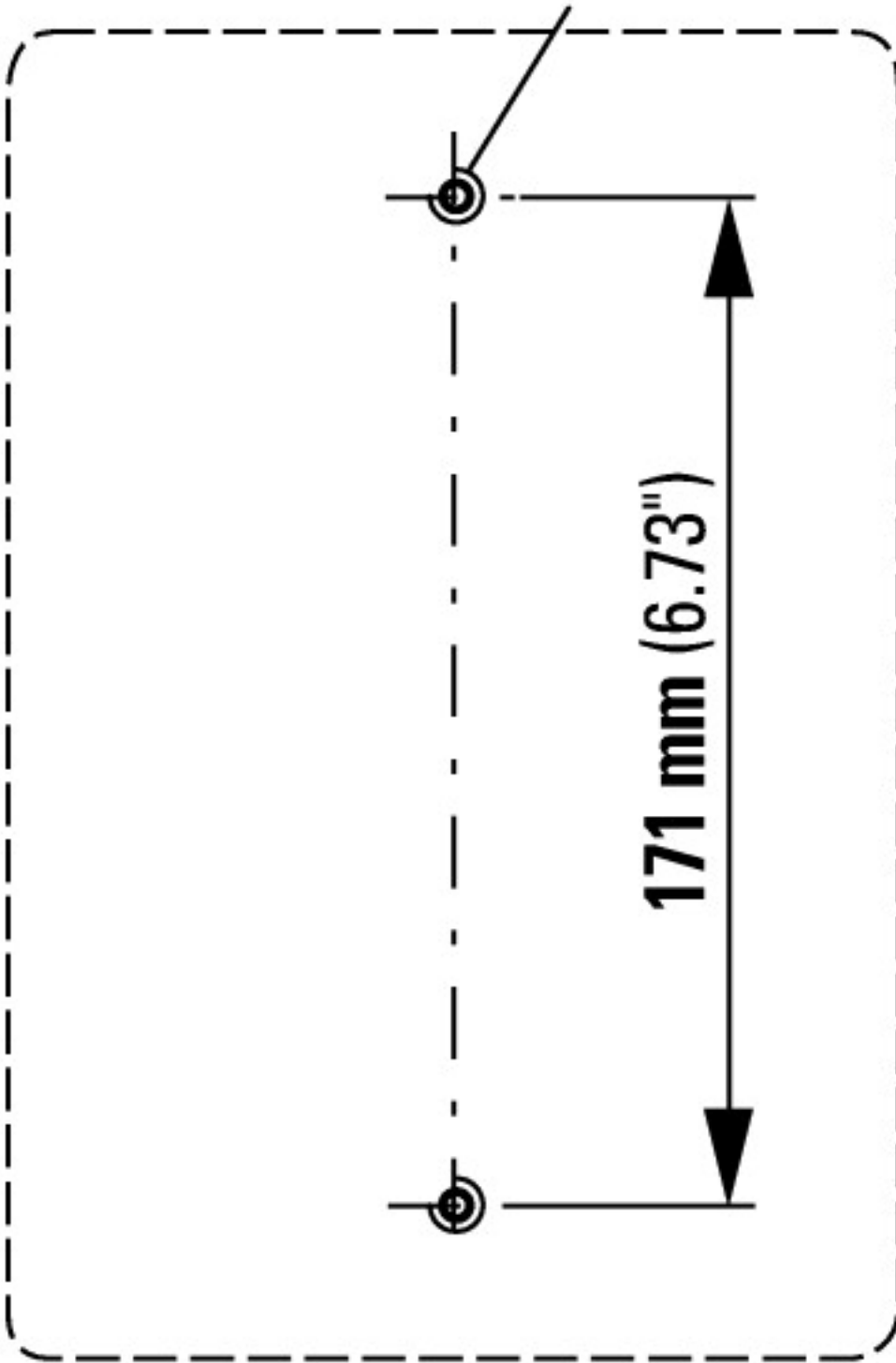
## Approvals

|                                      |  |   |
|--------------------------------------|--|---|
| Product Standards                    |  | UL 60947-4-1; CSA - C22.2 No. 60947-4-1-14; CSA-C22.2 No. 94; IEC/EN 60947-3; CE marking        |
| UL File No.                          |  | E36332  |
| UL Category Control No.              |  | NLRV  |
| CSA File No.                         |  | 12528   |
| CSA Class No.                        |  | 3211-05   |
| North America Certification          |  | UL listed, CSA certified  |
| Specially designed for North America |  | Yes, additional labeling according to UL on the enclosure in combination with "+NA-I2" (105866) |
| Suitable for                         |  | Branch circuits, suitable as motor disconnect   |
| Degree of Protection                 |  | IEC: IP65; UL/CSA Type 1, 12  |

## Dimensions



M4



Drilling dimensions base



# SCATTERGOOD & JOHNSON LTD

ELECTRICAL ENGINEERING & FLUID CONTROL DISTRIBUTORS

Est.1899

At Scattergood & Johnson Ltd, we pride ourselves on being a technical distributor to specialist industries.

Working with a range of quality product suppliers across a number of specialist markets, we are not your average 'box shifter' - we are your technical and supply chain partner.

We fully support every product we sell - for free! Our internal team and external sales engineers can answer any product or application question, no matter the complexity.

Backing up this technical ability is a range of 50,000+ products available from stock for nationwide next day delivery (same day if required!), or you can collect what you need from any of our trade counters around the UK.

Select your specialist interest below to learn more about how we can help.



Online, In Branch and On the Road - Scattergood & Johnson Ltd, there when you need us.

# [www.scatts.co.uk](http://www.scatts.co.uk)