
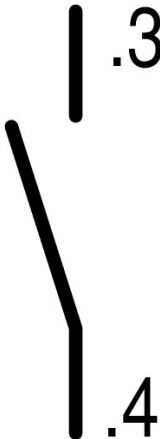





**Contact element, 1N/O, front mount, 6. contact, screw connection**

**Part no.** M22-K10  
**Catalog No.** 216376  
**Alternate Catalog No.** M22-K10Q  
**EL-Nummer (Norway)** 4355363

**Delivery program**

Product range		Accessories
Basic function accessories		Contact elements
Accessories		Auxiliary contact
Accessories		Standard auxiliary contact, trip-indicating auxiliary switch
Standard/Approval		UL/CSA, IEC
Construction size		NZM1/2/3/4
Connection technique		Screw terminals
Fixing		Front fixing
Degree of Protection		IP20
Connection to SmartWire-DT		no
For use with		NZM1(-4), 2(-4), 3(-4), 4(-4) PN1(-4), 2(-4), 3(-4) N(S)1(-4), 2(-4), 3(-4), 4(-4)
Approval		
<b>Contacts</b>		
N/O = Normally open		1 N/O
Contact sequence		
<b>Contact travel diagram, stroke in connection with front element</b>		
Contact diagram		

Configuration				<table border="1"> <tr> <td>1/4</td> <td>3/6</td> <td>2/5</td> </tr> </table>	1/4	3/6	2/5
1/4	3/6	2/5					
Connection type				Single contact			
Description of HIA trip-indicating auxiliary contact				<p>General trip indication '+', when tripped by shunt release, overload release, short-circuit release or by the residual-current release due to residual-current.</p> <p>Can be used with NZM1, 2, 3 circuit-breaker: a trip-indicating auxiliary contact can be clipped into the circuit-breaker.</p> <p>Can be used with NZM4 circuit-breaker: up to two standard auxiliary contacts can be clipped into the circuit-breaker.</p> <p>Any combinations of the auxiliary contact types are possible.</p> <p>Not in combination with switch-disconnector PN...</p> <p>Marking on switch: HIA</p> <p>Labeling in FI-Block: HIAFI.</p> <p>If the trip-indicating auxiliary switch in the fault current block is used, the NC contacts operates as a N/O contact and the NC contact operates as an N/O contact.</p>			
Description standard auxiliary contact HIN				<p>Switching with the main contacts Used for indicating and interlocking tasks.</p> <p>Can be used with NZM1 circuit-breaker: a standard auxiliary contact can be clipped into the circuit-breaker.</p> <p>Can be used with NZM2 size circuit-breaker: a standard auxiliary contact can be clipped into the circuit-breaker.</p> <p>Can be used with NZM3, 4 circuit-breaker: up to three standard auxiliary contacts can be clipped into the circuit-breaker.</p> <p>Any combinations of the auxiliary contact types are possible.</p> <p>Marking on switch: HIN.</p> <p>On combination with remote operator NZM-XR... the right mounting location of standard auxiliary contact HIN can be fitted only with individual contacts.</p>			
Connection technique				Screw terminals			
<b>Notes</b>							
For Std. pack:							
M22-(C)K... : Std. pack = 20 off							
<b>Notes</b>							
The following can be clipped into the switches:							
<ul style="list-style-type: none"> <li>NZM1: a standard auxiliary contact</li> <li>NZM2: up to two M22-(C)K... standard auxiliary contacts</li> <li>NZM3: up to three M22-(C)K... standard auxiliary contacts</li> <li>NZM4: up to three M22-(C)K... standard auxiliary contacts</li> </ul>							
Any combinations of the auxiliary contact types are possible.							
Marking on switch: HIN							
In combination with remote operator NZM-XR... only single contacts can be fitted to some installation locations of the standard auxiliary contact.							
NZM2: Only single contact can be fitted in left installation location of standard auxiliary contact.							
NZM3: Only single contact can be fitted in installation locations of standard auxiliary contact.							
NZM4: Only single contact can be fitted in right installation location of standard auxiliary contact.							

## Technical data

### General

Standards				IEC 60947-5-1
Lifespan, mechanical	Operations	$\times 10^6$		> 5
Operating frequency	Operations/h			$\leq 3600$
Actuating force		n		$\leq 5$
Operating torque (screw terminals)		Nm		$\leq 0.8$
Degree of Protection				IP20
Climatic proofing				Damp heat, constant, to IEC 60068-2-78 Damp heat, cyclic, to IEC 60068-2-30
Ambient temperature				
Open		°C		-25 - +70
Mechanical shock resistance to IEC 60068-2-27 Shock duration 11 ms, half-sinusoidal		g		> 30
Terminal capacities		mm <sup>2</sup>		
Solid		mm <sup>2</sup>		0.75 - 2.5
Stranded		mm <sup>2</sup>		0.5 - 2.5
Flexible with ferrule		mm <sup>2</sup>		0.5 - 1.5

### Contacts

Rated impulse withstand voltage	$U_{imp}$	V AC		6000
---------------------------------	-----------	------	--	------

Rated insulation voltage	U <sub>i</sub>	V	500
Overvoltage category/pollution degree			III/3
Control circuit reliability			
at 24 V DC/5 mA	H <sub>F</sub>	Fault probability	< 10 <sup>-7</sup> (i.e. 1 failure to 10 <sup>7</sup> operations)
at 5 V DC/1 mA	H <sub>F</sub>	Fault probability	< 5 x 10 <sup>-6</sup> (i.e. 1 failure in 5 x 10 <sup>6</sup> operations)
Max. short-circuit protective device			
Fuseless		Type	PKZM0-10/FAZ-B6/1
Fuse	gG/gL	A	10

**Switching capacity**

Rated operational current	I <sub>e</sub>	A	
AC-15			
115 V	I <sub>e</sub>	A	6
220 V 230 V 240 V	I <sub>e</sub>	A	6
380 V 400 V 415 V	I <sub>e</sub>	A	4
500 V	I <sub>e</sub>	A	2
DC-13			
24 V	I <sub>e</sub>	A	3
42 V	I <sub>e</sub>	A	1.7
60 V	I <sub>e</sub>	A	1.2
110 V	I <sub>e</sub>	A	0.6
220 V	I <sub>e</sub>	A	0.3
Lifespan, electrical			
AC-15			
230 V/0.5 A	Operations	x 10 <sup>6</sup>	1.6
230 V/1.0 A	Operations	x 10 <sup>6</sup>	1
230 V/3.0 A	Operations	x 10 <sup>6</sup>	0.7
DV-13			
12 V/2.8 A	Operations	x 10 <sup>6</sup>	1.2

**Auxiliary contacts**

Rated operational voltage	U <sub>e</sub>	V				
Rated operational voltage	U <sub>e</sub>	V AC	500			
Rated operational voltage, max.	U <sub>e</sub>	V DC	220			
Conventional thermal current	I <sub>th</sub> = I <sub>e</sub>	CSA	4			
Rated operational current	I <sub>e</sub>	A				
<b>Different rated operational currents</b> when used as auxiliary contact for NZM circuit-breaker						
			M22- (C)K10(01) M22- CK11(02) (20) XHIV			
		bei AC = 50/60 Hz				
		Bemessungsstrom				
	AC-15	I <sub>e</sub>	A	4	4	4
	115 V	I <sub>e</sub>	A	4	4	4
	230 V	I <sub>e</sub>	A	2	-	2
	400 V	I <sub>e</sub>	A	1	-	1
	500 V	I <sub>e</sub>	A			
	DC-13	I <sub>e</sub>	A	3	3	3
	24 V	I <sub>e</sub>	A	1.7	1	1.5
	42 V	I <sub>e</sub>	A	1.2	0.8	0.8
	60 V	I <sub>e</sub>	A	0.6	0.5	0.5
	110 V	I <sub>e</sub>	A			
	220 V	I <sub>e</sub>	A	0.3	0.2	0.2
Short-circuit protection						
max. fuse		A gG/gL	10			
Max. miniature circuit-breaker		A	FAZ-B6/B1			
Operating times						

			Early-make time of the HIV compared to the main contacts during with make and break switching.  (switch times with manual operation):  NZM1, PN1, N(S)1: ca. 20 ms  NZM2, PN2, N(S)2: ca. 20 ms  NZM3, PN3, N(S)3: ca. 20 ms  NZM4, N(S)4: approx. 90 ms, the HIV switch early <b>Offswitching not forward</b> .
Terminal capacities		mm <sup>2</sup>	
Solid or flexible conductor, with ferrule		mm <sup>2</sup>	1 x (0,75 - 2,5) 2 x (0,75 - 2,5)
UL/CSA			
Rated operational current	I <sub>e</sub>	A	5 A – 600 V AC 1 A - 250 V DC
Other technical data (sheet catalogue)			Maximum equipment and position of the internal accessories

## Design verification as per IEC/EN 61439

Technical data for design verification			
Rated operational current for specified heat dissipation	I <sub>n</sub>	A	6
Heat dissipation per pole, current-dependent	P <sub>vid</sub>	W	0.11
Equipment heat dissipation, current-dependent	P <sub>vid</sub>	W	0
Static heat dissipation, non-current-dependent	P <sub>vs</sub>	W	0
Heat dissipation capacity	P <sub>diss</sub>	W	0
Operating ambient temperature min.		°C	-25
Operating ambient temperature max.		°C	70
IEC/EN 61439 design verification			
10.2 Strength of materials and parts			
10.2.2 Corrosion resistance			Meets the product standard's requirements.
10.2.3.1 Verification of thermal stability of enclosures			Meets the product standard's requirements.
10.2.3.2 Verification of resistance of insulating materials to normal heat			Meets the product standard's requirements.
10.2.3.3 Verification of resistance of insulating materials to abnormal heat and fire due to internal electric effects			Meets the product standard's requirements.
10.2.4 Resistance to ultra-violet (UV) radiation			Meets the product standard's requirements.
10.2.5 Lifting			Does not apply, since the entire switchgear needs to be evaluated.
10.2.6 Mechanical impact			Does not apply, since the entire switchgear needs to be evaluated.
10.2.7 Inscriptions			Meets the product standard's requirements.
10.3 Degree of protection of ASSEMBLIES			Does not apply, since the entire switchgear needs to be evaluated.
10.4 Clearances and creepage distances			Meets the product standard's requirements.
10.5 Protection against electric shock			Does not apply, since the entire switchgear needs to be evaluated.
10.6 Incorporation of switching devices and components			Does not apply, since the entire switchgear needs to be evaluated.
10.7 Internal electrical circuits and connections			Is the panel builder's responsibility.
10.8 Connections for external conductors			Is the panel builder's responsibility.
10.9 Insulation properties			
10.9.2 Power-frequency electric strength			Is the panel builder's responsibility.
10.9.3 Impulse withstand voltage			Is the panel builder's responsibility.
10.9.4 Testing of enclosures made of insulating material			Is the panel builder's responsibility.
10.10 Temperature rise			The panel builder is responsible for the temperature rise calculation. Eaton will provide heat dissipation data for the devices.
10.11 Short-circuit rating			Is the panel builder's responsibility. The specifications for the switchgear must be observed.
10.12 Electromagnetic compatibility			Is the panel builder's responsibility. The specifications for the switchgear must be observed.
10.13 Mechanical function			The device meets the requirements, provided the information in the instruction leaflet (IL) is observed.

## Technical data ETIM 7.0

Low-voltage industrial components (EG000017) / Auxiliary contact block (EC000041)

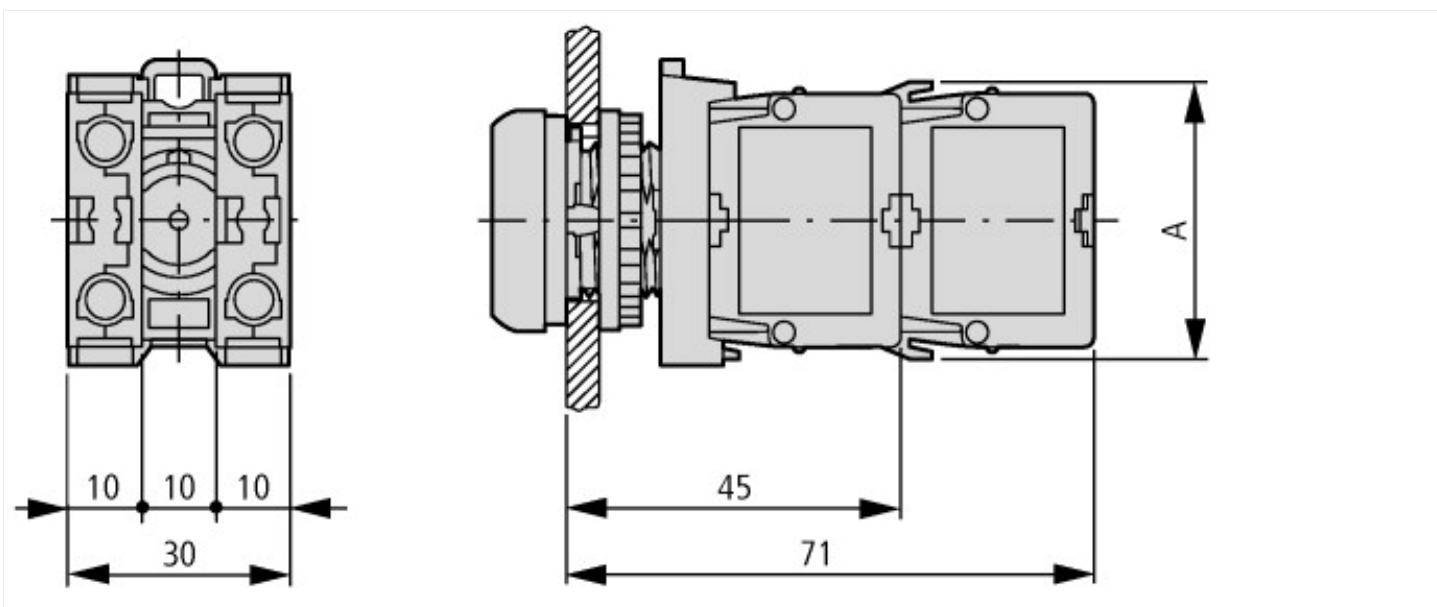
Electric engineering, automation, process control engineering / Low-voltage switch technology / Component for low-voltage switching technology / Auxiliary switch block  
(ecl@ss10.0.1-27-37-13-02 [AKN342013])

Number of contacts as change-over contact		0
Number of contacts as normally open contact		1
Number of contacts as normally closed contact		0
Number of fault-signal switches		0
Rated operation current Ie at AC-15, 230 V	A	6
Type of electric connection		Screw connection
Model		Top mounting and integrable
Mounting method		Front fastening
Lamp holder		None

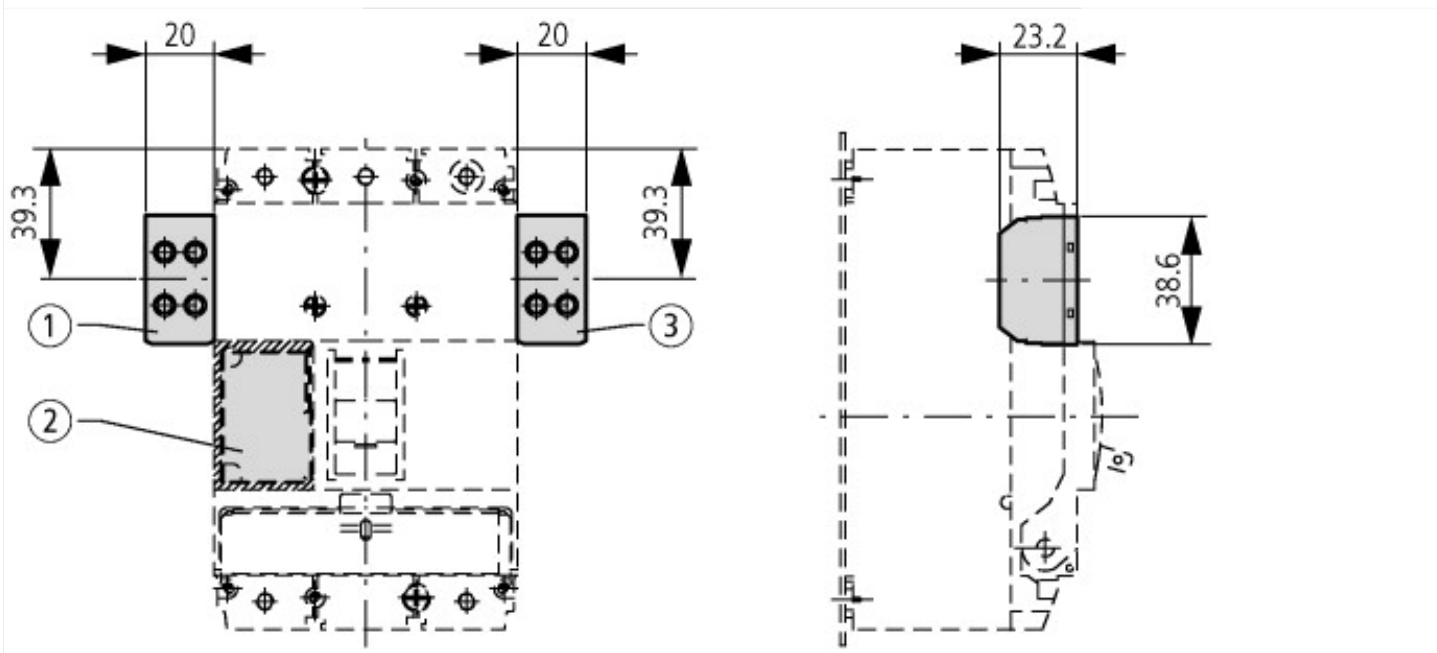
### Approvals

Product Standards		IEC/EN 60947-5; UL 508; CSA-C22.2 No. 14-05; CSA-C22.2 No. 94-91; CE marking
UL File No.		E29184
UL Category Control No.		NKCR
CSA File No.		012528
CSA Class No.		3211-03
North America Certification		UL listed, CSA certified
Degree of Protection		UL/CSA Type: -

### Dimensions



A = 37.2



Pushbutton with M22-(C)K...  
 Pushbutton with M22-(C) LED... + M22-XLED...





# SCATTERGOOD & JOHNSON LTD

ELECTRICAL ENGINEERING & FLUID CONTROL DISTRIBUTORS

Est.1899

At Scattergood & Johnson Ltd, we pride ourselves on being a technical distributor to specialist industries.

Working with a range of quality product suppliers across a number of specialist markets, we are not your average 'box shifter' - we are your technical and supply chain partner.

We fully support every product we sell - for free! Our internal team and external sales engineers can answer any product or application question, no matter the complexity.

Backing up this technical ability is a range of 50,000+ products available from stock for nationwide next day delivery (same day if required!), or you can collect what you need from any of our trade counters around the UK.

Select your specialist interest below to learn more about how we can help.



Online, In Branch and On the Road - Scattergood & Johnson Ltd, there when you need us.

# [www.scatts.co.uk](http://www.scatts.co.uk)