

**DATASHEET - M22-WLK-B**

**Illuminated selector switch actuator, RMQ-Titan, With thumb-grip, momentary, 2 positions, Blue, Bezel: titanium**

**EATON**

Powering Business Worldwide™



**Part no.** M22-WLK-B  
**Catalog No.** 216820  
**Alternate Catalog No.** M22-WLK-BQ  
**EL-Nummer (Norway)** 4355747

**Delivery program**

|                            |  |  |  |
|----------------------------|--|--|--|
| Product range              |  |  | RMQ-Titan  |
| Basic function             |  |  | Illuminated selector switch actuator                                       |
| Single unit/Complete unit  |  |  | Single unit  |
| Design                     |  |  | With thumb-grip<br>momentary   |
| <b>Function:</b>           |  |  |  |
|                            |  |  | 40°  |
|                            |  |  | 2 positions  |
| <b>Colour</b>              |  |  |  |
| Thumb-grip                 |  |  | Blue   |
|                            |  |  |  |
| Degree of Protection       |  |  | IP66   |
| Front ring                 |  |  | Bezel: titanium  |
| Connection to SmartWire-DT |  |  | yes<br>with SWD-RMQ connections  |
| Front dimensions           |  |  | 29,7   |
| <b>Instructions</b>        |  |  | Stay-put/spring-return function, can be changed with coding parts M22-XC-Y |

**Technical data****General**

|                             |              |                   |  |
|-----------------------------|--------------|-------------------|--|
| Standards                   |              |                   | IEC/EN 60947<br>VDE 0660   |
| Lifespan, mechanical        | Operations   | x 10 <sup>6</sup> | > 0.1  |
| Operating frequency         | Operations/h |                   | ≤ 2000   |
| Operating torque            |              | Nm                | ≤ 0.3  |
| Climatic proofing           |              |                   | Damp heat, constant, to IEC 60068-2-78<br>Damp heat, cyclic, to IEC 60068-2-30 |
| Degree of Protection        |              |                   | IP66   |
| Ambient temperature         |              |                   |  |
| Open                        |              | °C                | -25 - +70  |
| Mounting position           |              |                   | As required  |
| Mechanical shock resistance |              | g                 | 30<br>Shock duration 11 ms<br>Sinusoidal<br>according to IEC 60068-2-27        |
| shipping classification     |              |                   | DNV<br>GL<br>LR  |



## Design verification as per IEC/EN 61439

| Technical data for design verification   |            |    |     |
|--|------------|----|-----|
| Rated operational current for specified heat dissipation   | $I_n$      | A  | 0   |
| Heat dissipation per pole, current-dependent   | $P_{vid}$  | W  | 0   |
| Equipment heat dissipation, current-dependent  | $P_{vid}$  | W  | 0   |
| Static heat dissipation, non-current-dependent   | $P_{vs}$   | W  | 0   |
| Heat dissipation capacity  | $P_{diss}$ | W  | 0   |
| Operating ambient temperature min.   |            | °C | -25 |
| Operating ambient temperature max.   |            | °C | 70  |
| IEC/EN 61439 design verification   |            |    |     |
| 10.2 Strength of materials and parts   |            |    |     |
| 10.2.2 Corrosion resistance  |            |    |     |
| Meets the product standard's requirements.   |            |    |     |
| 10.2.3.1 Verification of thermal stability of enclosures   |            |    |     |
| Meets the product standard's requirements.   |            |    |     |
| 10.2.3.2 Verification of resistance of insulating materials to normal heat   |            |    |     |
| Meets the product standard's requirements.   |            |    |     |
| 10.2.3.3 Verification of resistance of insulating materials to abnormal heat and fire due to internal electric effects |            |    |     |
| Meets the product standard's requirements.   |            |    |     |
| 10.2.4 Resistance to ultra-violet (UV) radiation   |            |    |     |
| Please enquire   |            |    |     |
| 10.2.5 Lifting   |            |    |     |
| Does not apply, since the entire switchgear needs to be evaluated.   |            |    |     |
| 10.2.6 Mechanical impact   |            |    |     |
| Does not apply, since the entire switchgear needs to be evaluated.   |            |    |     |
| 10.2.7 Inscriptions  |            |    |     |
| Meets the product standard's requirements.   |            |    |     |
| 10.3 Degree of protection of ASSEMBLIES  |            |    |     |
| Does not apply, since the entire switchgear needs to be evaluated.   |            |    |     |
| 10.4 Clearances and creepage distances   |            |    |     |
| Meets the product standard's requirements.   |            |    |     |
| 10.5 Protection against electric shock   |            |    |     |
| Does not apply, since the entire switchgear needs to be evaluated.   |            |    |     |
| 10.6 Incorporation of switching devices and components   |            |    |     |
| Does not apply, since the entire switchgear needs to be evaluated.   |            |    |     |
| 10.7 Internal electrical circuits and connections  |            |    |     |
| Is the panel builder's responsibility.   |            |    |     |
| 10.8 Connections for external conductors   |            |    |     |
| Is the panel builder's responsibility.   |            |    |     |
| 10.9 Insulation properties   |            |    |     |
| 10.9.2 Power-frequency electric strength   |            |    |     |
| Is the panel builder's responsibility.   |            |    |     |
| 10.9.3 Impulse withstand voltage   |            |    |     |
| Is the panel builder's responsibility.   |            |    |     |
| 10.9.4 Testing of enclosures made of insulating material   |            |    |     |
| Is the panel builder's responsibility.   |            |    |     |
| 10.10 Temperature rise   |            |    |     |
| Not applicable.  |            |    |     |
| 10.11 Short-circuit rating   |            |    |     |
| Is the panel builder's responsibility. The specifications for the switchgear must be observed.                         |            |    |     |
| 10.12 Electromagnetic compatibility  |            |    |     |
| Is the panel builder's responsibility. The specifications for the switchgear must be observed.                         |            |    |     |
| 10.13 Mechanical function  |            |    |     |
| The device meets the requirements, provided the information in the instruction leaflet (IL) is observed.               |            |    |     |

## Technical data ETIM 7.0

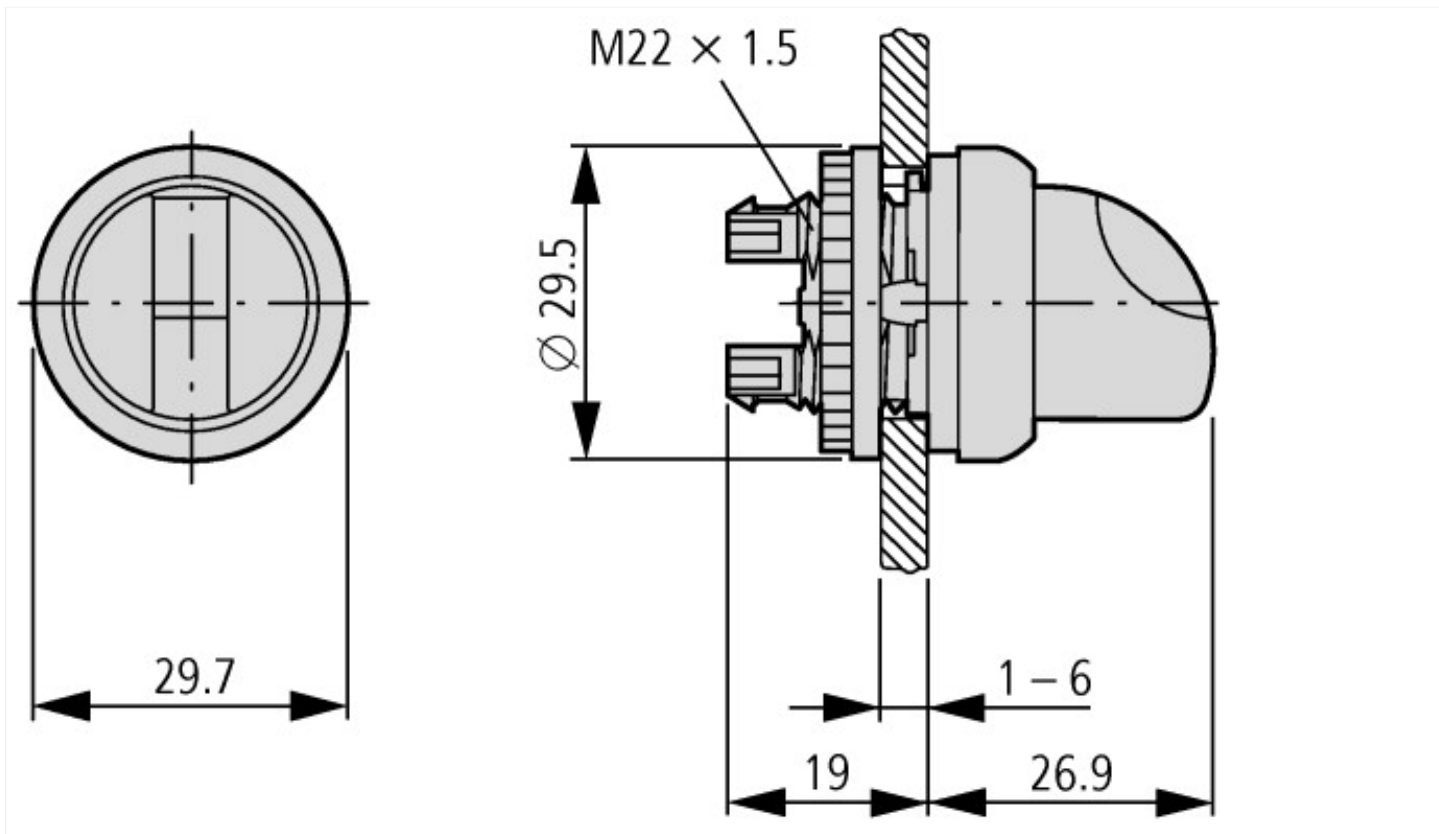
| Low-voltage industrial components (EG000017) / Front element for selector switch (EC000222)   |  |  |        |
|---|--|--|--------|
| Electric engineering, automation, process control engineering / Low-voltage switch technology / Command and alarm device / Front element for selector switches (ecl@ss10.0.1-27-37-12-13 [AKF031014]) |  |  |        |
| Number of switch positions  |  |  | 2      |
| Type of control element   |  |  | Toggle |
| Suitable for illumination   |  |  | Yes    |
| Colour control element  |  |  | Black  |
| Colour indicator light cap  |  |  | Blue   |
| Construction type lens  |  |  | Round  |

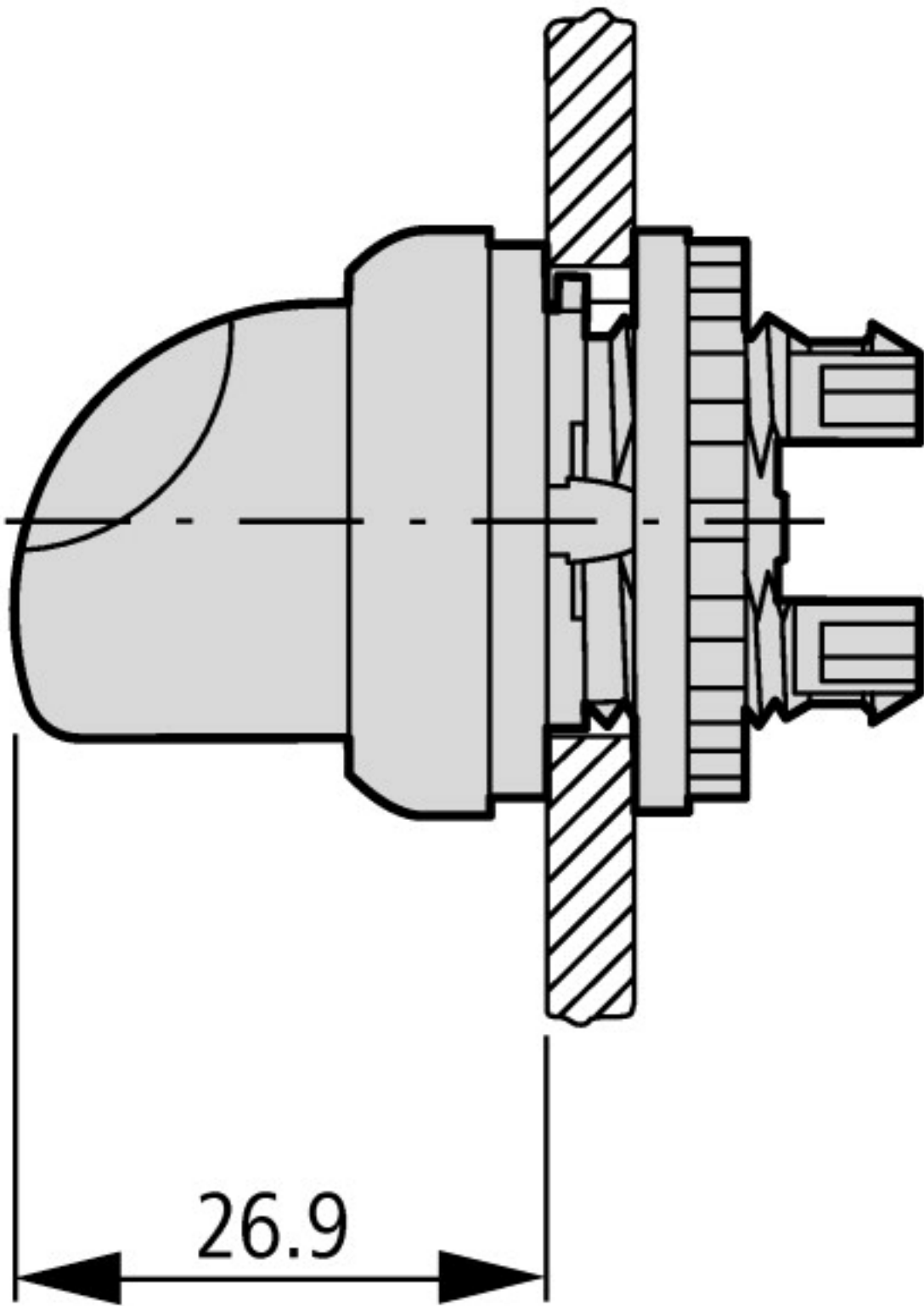
|                                       |    |         |
|---------------------------------------|----|---------|
| Hole diameter                         | mm | 22.5    |
| Width opening                         | mm | 0       |
| Height opening                        | mm | 0       |
| Switching function latching           |    | No      |
| Spring-return                         |    | Yes     |
| With front ring                       |    | Yes     |
| Material front ring                   |    | Plastic |
| Colour front ring                     |    | Other   |
| Degree of protection (IP), front side |    | IP66    |
| Degree of protection (NEMA)           |    | 4X      |

### Approvals

|                             |  |  |
|-----------------------------|--|--|
| Product Standards           |  | IEC/EN 60947-5; UL 508; CSA-C22.2 No. 14-05; CSA-C22.2 No. 94-91; CE marking |
| UL File No.                 |  | E29184   |
| UL Category Control No.     |  | NKCR   |
| CSA File No.                |  | 012528   |
| CSA Class No.               |  | 3211-03  |
| North America Certification |  | UL listed, CSA certified   |
| Degree of Protection        |  | UL/CSA Type 3R, 4X, 12, 13   |

### Dimensions







# SCATTERGOOD & JOHNSON LTD

ELECTRICAL ENGINEERING & FLUID CONTROL DISTRIBUTORS

Est.1899

At Scattergood & Johnson Ltd, we pride ourselves on being a technical distributor to specialist industries.

Working with a range of quality product suppliers across a number of specialist markets, we are not your average 'box shifter' - we are your technical and supply chain partner.

We fully support every product we sell - for free! Our internal team and external sales engineers can answer any product or application question, no matter the complexity.

Backing up this technical ability is a range of 50,000+ products available from stock for nationwide next day delivery (same day if required!), or you can collect what you need from any of our trade counters around the UK.

Select your specialist interest below to learn more about how we can help.



Online, In Branch and On the Road - Scattergood & Johnson Ltd, there when you need us.

# [www.scatts.co.uk](http://www.scatts.co.uk)