




Float switch

Part no. SW
Catalog No. 088594
Alternate Catalog No. SW
EL-Nummer (Norway) 4356150

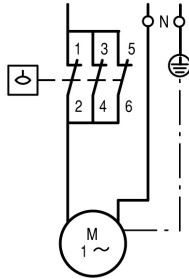
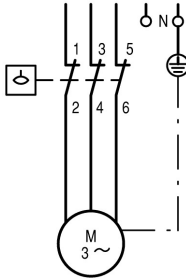
Delivery program

Product range		Float switch
Degree of Protection		IP65
		Lever can be turned to reverse contact effect
		1 insulated protective conductor terminal 
		1 insulated N terminal
		Impact-resistant shroud, green
		2 cable entry knockouts for M20, without cable gland
		IP65 in conjunction with V-M20 cable gland
		Wall mounting bracket
		Can be mounted in any position

Notes

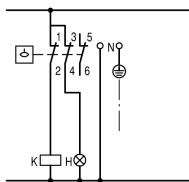
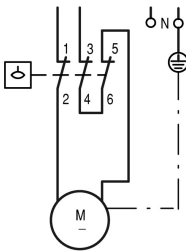
For use as a motor load switch for:
 Three-phase current AC-3

Single-phase current



Direct current DC

For use as control switch:



Parts:

Float, operating rod, and wire rope sleeve made of especially resistant plastic.
 Resistant to:

- Tap water, river water, salt water: Max. 100 °C
- Deionized water: Max. 100 °C
- Brine: Max. 100 °C
- Acids (10%): Max. 40 °C
- Bases (10%): Max. 40 °C

Operation:

Minimum operation at lever: 24 mm

Technical data

General		
Standards		IEC/EN 60947-4-1
Operating frequency	Operations/h	≤ 1500
Ambient temperature		-25 - 70
Degree of Protection		IP65
Mounting position		As required

Mechanical shock resistance to IEC 60068-2-27	Half-sinusoidal shock 20 ms	g	> 10
Vibration resistance acc. to IEC/EN 60068-2-6	Amplitude 1 mm	Hz	36
lifespan	Operations	x 10 ⁶	0.5
Terminal capacities		mm ²	
Solid		mm ²	1 x (0.75 - 2.5) 2 x (0.75 - 1.5)
Flexible with ferrules to DIN 46228		mm ²	1 x (0.5 - 1.5) 2 x (0.5 - 1.5)
Terminations			Flat terminal with clamping washer
Terminal screw			M4
Tightening torque of terminal screw		Nm	1.2

Contacts/switching capacity

Rated impulse withstand voltage	U _{imp}	V AC	4000
Rated insulation voltage	U _i	V	400
Overvoltage category/pollution degree			III/3
Max. short-circuit protective device			
Fuseless		Type	PKZM0-20
Fuse	gG/gL	A	20
Type of coordination			1
Rated short-circuit current	I _q (= Current r)	kA	1
AC-3			
Rated operational current			
230 V		A	15
400 V		A	11.5
Rated power P			
230 V		kW	4
400 V		kW	5.5
Rated frequency	f	Hz	50

Design verification as per IEC/EN 61439

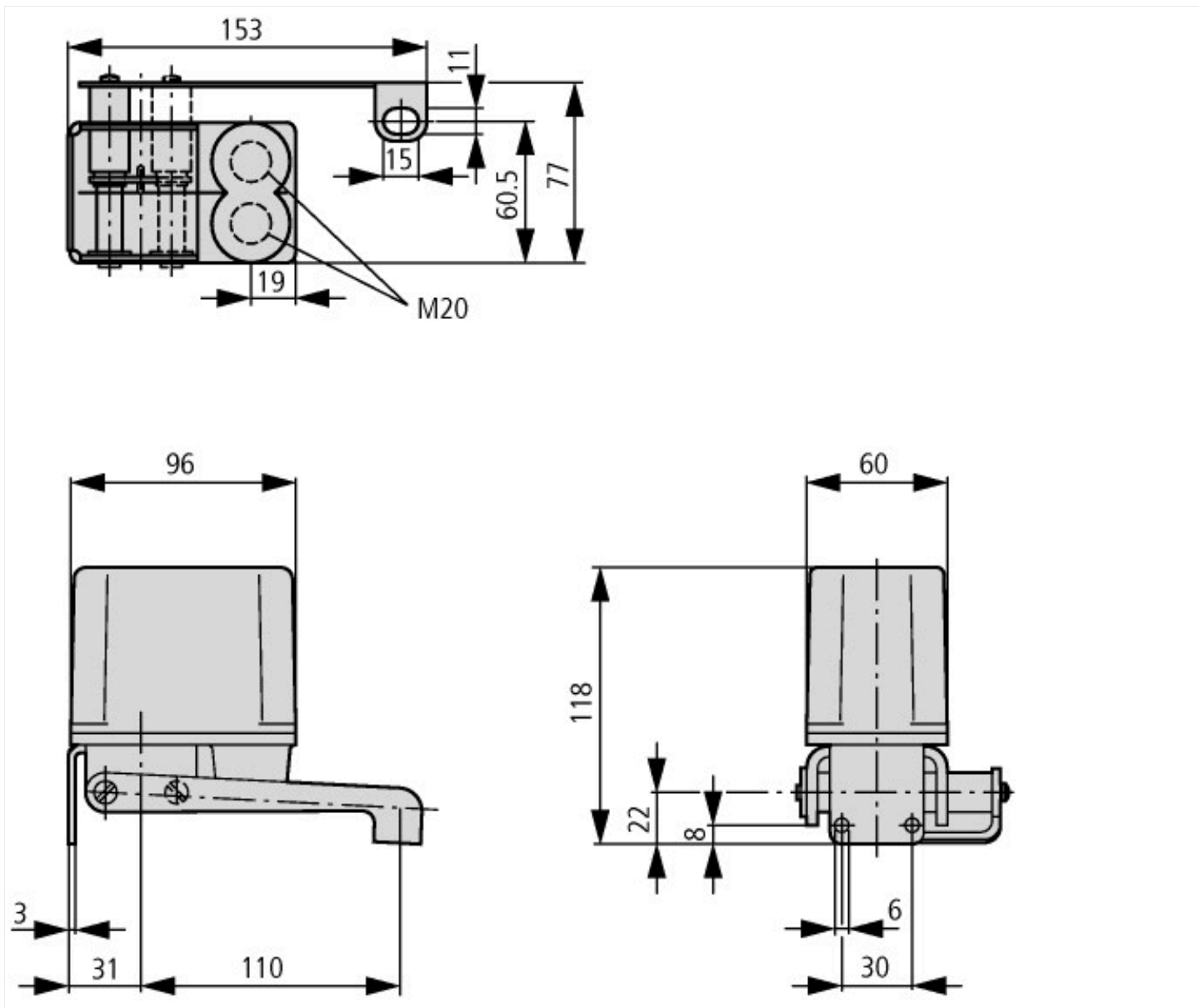
Technical data for design verification			
Operating ambient temperature min.		°C	-25
Operating ambient temperature max.		°C	70

Technical data ETIM 7.0

Stats, switches and controllers (EG015840) / Float switch (EC011178)			
Suitable for potable water			Yes
Suitable for rainwater			Yes
Suitable for cooling water			Yes
Suitable for faeces			Yes
Suitable for domestic wastewater			Yes
Suitable for condensate			Yes
Suitable for glycol			Yes
Measuring range		mm	
Readable			No
With display			No
Adjustable differential gap			No
Differential range/switch hysteresis		mm	
Immersing depth		mm	
Mounting method, vertical			Yes
Mounting method, horizontal			Yes
Sensor/feeler type			Sinking ball
Mounting method			Suspended above the pit

Float material		Plastic
Float diameter	mm	
Connection		Other
Thread size		Other
Max. contact voltage	V	230
Max. contact load	A	15
Max. medium temperature (continuous)	°C	
Min. specific density of liquid	kg/m ³	
Max. operating pressure	bar	
Degree of protection (IP)		IP55
Degree of protection (NEMA)		Other
Explosion-proof		No

Dimensions





**SCATTERGOOD
& JOHNSON LTD**
ELECTRICAL ENGINEERING & FLUID CONTROL DISTRIBUTORS

Est.1899

At Scattergood & Johnson Ltd, we pride ourselves on being a technical distributor to specialist industries.

Working with a range of quality product suppliers across a number of specialist markets, we are not your average 'box shifter' - we are your technical and supply chain partner.

We fully support every product we sell - for free! Our internal team and external sales engineers can answer any product or application question, no matter the complexity.

Backing up this technical ability is a range of 50,000+ products available from stock for nationwide next day delivery (same day if required!), or you can collect what you need from any of our trade counters around the UK.

Select your specialist interest below to learn more about how we can help.



Online, In Branch and On the Road - Scattergood & Johnson Ltd, there when you need us.

www.scatts.co.uk