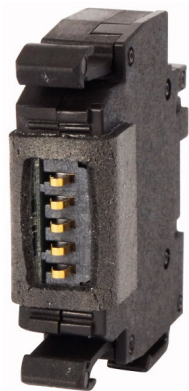
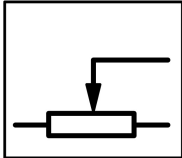



DATASHEET - M22-SWD-R**Function element, Potentiometer, Front fixing**

Part no. M22-SWD-R
Catalog No. 179293

**Delivery program**

Basic function accessories			Function elements
Description			Function element SmartWire-DT potentiometer Only in conjunction with M22-R-SWD front element
Fixing			Front fixing
Contact sequence			
Configuration			 M22-SWD-R M22-SWD-INC
Connection to SmartWire-DT			yes

Technical data**General**

Standards			IEC/EN 61131-2
Dimensions (W x H x D)		mm	13 x 42 x 37
Weight		g	9
Mounting position			As required

Ambient conditions, mechanical

Protection type (IEC/EN 60529, EN50178, VBG 4)			IP20
Vibrations (IEC/EN 61131-2:2008)			
Constant amplitude 3,5 mm		Hz	5 - 8.4
Constant acceleration 1 g		Hz	8.4 - 150
Mechanical shock resistance (IEC/EN 60068-2-27) semi-sinusoidal 15 g/11 ms		Impacts	9
Drop to IEC/EN 60068-2-31	Drop height	mm	50
Free fall, packaged (IEC/EN 60068-2-32)		m	0.3

Electromagnetic compatibility (EMC)

Overvoltage category			Not applicable
Pollution degree			2
Electrostatic discharge (IEC/EN 61131-2:2008)			
Air discharge (Level 3)		kV	8
Contact discharge (Level 2)		kV	4
Electromagnetic fields (IEC/EN 61131-2:2008)			
80 - 1000 MHz		V/m	10
1.4 - 2 GHz		V/m	3
2 - 2.7 GHz		V/m	1
Radio interference suppression (SmartWire-DT)			EN 55011 Class A
Burst (IEC/EN 61131-2:2008, Level 3)			
Supply cable		kV	2
SmartWire-DT cable		kV	1

Radiated RFI (IEC/EN 61131-2:2008, Level 3)	V	10
---	---	----

Climatic environmental conditions

Ambient temperature		
Operating ambient temperature (IEC 60068-2)	°C	-30 - +70
Storage	°C	- 40 - + 70
Relative humidity		
Condensation		Take appropriate measures to prevent condensation
Relative humidity, non-condensing (IEC/EN 60068-2-30)	%	9 - 95

SmartWire-DT network

Station type		SmartWire-DT slave
Status indication	LED	Green
Connections		Plug, 8-pole
Plug connector		SWD4-8SF2-5

Functions

Fixing		Front fixing
--------	--	--------------

Design verification as per IEC/EN 61439

Technical data for design verification		
Operating ambient temperature min.	°C	-30
Operating ambient temperature max.	°C	70

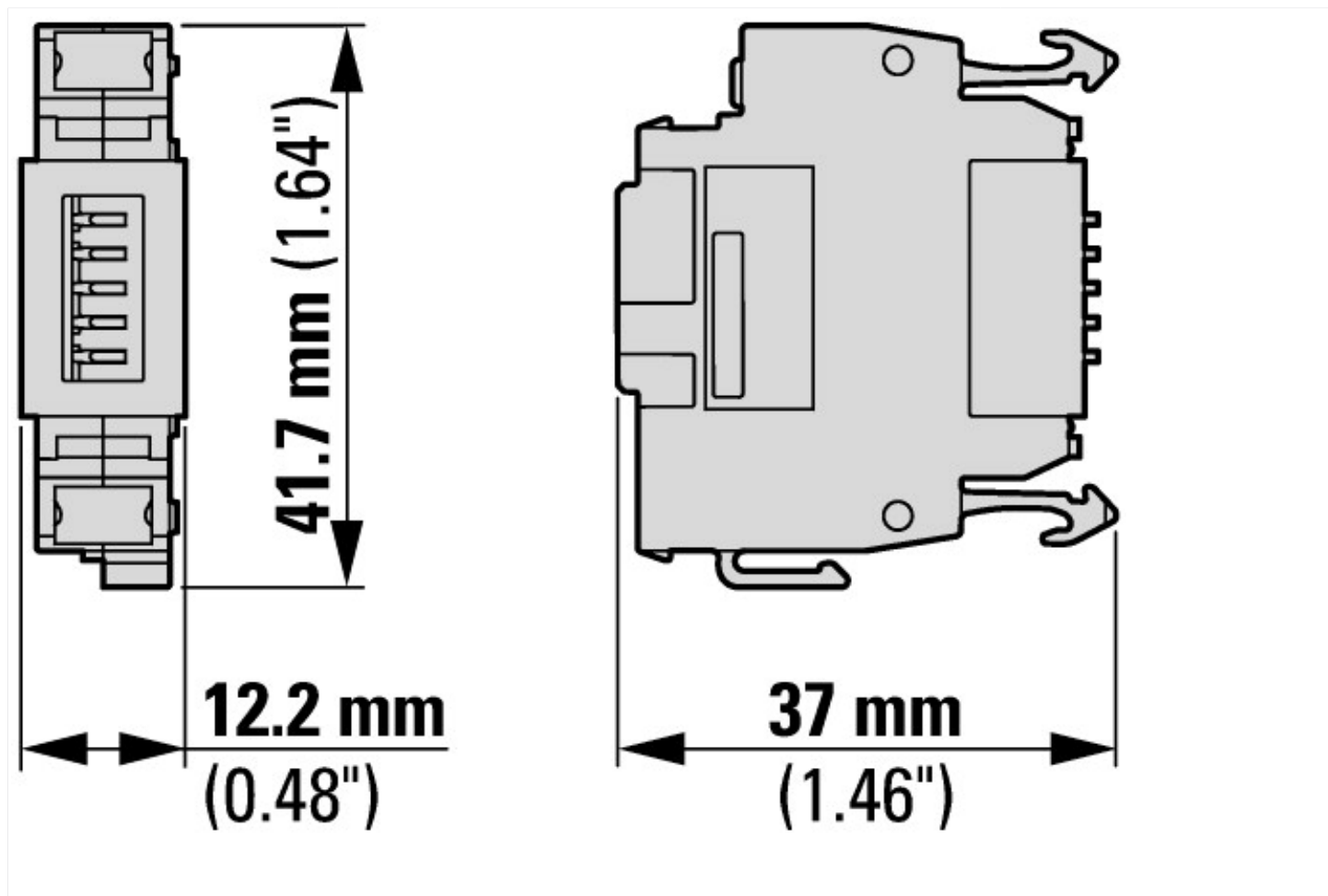
Technical data ETIM 7.0

Low-voltage industrial components (EG000017) / Accessories for low-voltage switch technology (EC002498)		
Electric engineering, automation, process control engineering / Low-voltage switch technology / Component for low-voltage switching technology / Component for low-voltage switch technology (accessories) (ecl@ss10.0.1-27-37-13-92 [AKN570013])		
Type of accessory		Other

Approvals

UL File No.		E29184
UL Category Control No.		NKCR
CSA File No.		2324643
CSA Class No.		3211-07
North America Certification		UL listed, CSA certified

Dimensions





SCATTERGOOD & JOHNSON LTD

ELECTRICAL ENGINEERING & FLUID CONTROL DISTRIBUTORS

Est.1899

At Scattergood & Johnson Ltd, we pride ourselves on being a technical distributor to specialist industries.

Working with a range of quality product suppliers across a number of specialist markets, we are not your average 'box shifter' - we are your technical and supply chain partner.

We fully support every product we sell - for free! Our internal team and external sales engineers can answer any product or application question, no matter the complexity.

Backing up this technical ability is a range of 50,000+ products available from stock for nationwide next day delivery (same day if required!), or you can collect what you need from any of our trade counters around the UK.

Select your specialist interest below to learn more about how we can help.



Online, In Branch and On the Road - Scattergood & Johnson Ltd, there when you need us.

www.scatts.co.uk