

DATASHEET - FI-16/2/003-A



Residual current circuit-breaker, 16A, 2p, 03A, A-Char

Part no. FI-16/2/003-A
 Catalog No. 279183
 Alternate Catalog No. FI-16-2-003-A



Similar to illustration

Delivery program

Basic function			Residual current circuit-breakers
Number of poles			2 pole
Rated current	I_n	A	16
Rated short-circuit strength	I_{cn}	kA	10
Rated fault current	$I_{\Delta N}$	A	0.03
Type			Type A
Tripping		s...	non-delayed
Product range			FI
Sensitivity			AC and pulsating DC current sensitive
Impulse withstand current			Partly surge-proof 250 A

Technical data

Electrical

Standards			IEC/EN 61008
Tripping		s...	non-delayed
Rated operating voltage	U_e	V AC	230/400
Limit values of the operating voltage		V AC	184 ... 440
Rated frequency	f	Hz	50
Rated fault currents	$I_{\Delta n}$	mA	30, 100, 300, 500
Rated non-tripping current	$I_{\Delta no}$		$0.5 \times I_{\Delta n}$
Rated fault switching capacity			
Rated fault switching capacity	$I_{\Delta m}$	A	$I_n = 16 \dots 40$ A: 500 $I_n = 63$ A: 630 $I_n = 80$ A: 800 $I_n = 100$ A: 1000
Sensitivity			DC and pulsed current
Rated switching capacity	I_{cn}	kA	10
Rated current	I_e	A	16
Rated impulse withstand voltage	U_{imp}	kV	6
Maximum max. as short-circuit protective device		A gL	$I_n = 16 - 63$ A: 63 $I_n = 80$ A: 80 $I_n = 100$ A: 100
Lifespan		S	
Electrical		Operations	> 4000
Mechanical		Operations	> 20000

Mechanical

Standard front dimension		mm	45
Enclosure height		mm	80
Terminal protection			Protection against electric shock to IEC 536
Mounting width		mm	35 (2 space unit), 70 (4 space units)
Mounting			Top-hat rail IEC/EN 60715
Degree of protection			
Integrated			IP40
Terminals top and bottom			Twin-purpose terminals
Terminal capacities		mm ²	

Solid	mm ²	1.5 ... 35
flexible	mm ²	2 x 16
Thickness of busbar material	mm	0.8 ... 2
Admissible ambient temperature range	°C	-25 ... +40
Climatic proofing		IEC/EN 61008

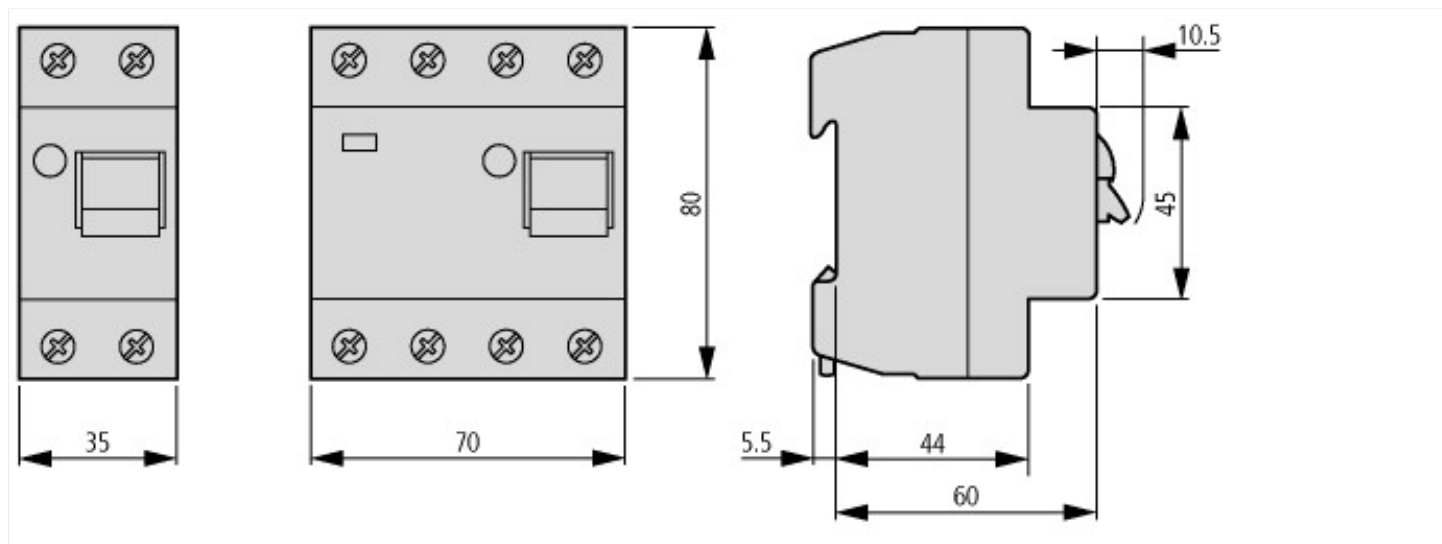
Design verification as per IEC/EN 61439

Technical data for design verification			
Rated operational current for specified heat dissipation	I _n	A	16
Heat dissipation per pole, current-dependent	P _{vid}	W	0
Equipment heat dissipation, current-dependent	P _{vid}	W	1.2
Static heat dissipation, non-current-dependent	P _{vs}	W	0
Heat dissipation capacity	P _{diss}	W	0
Operating ambient temperature min.		°C	-25
Operating ambient temperature max.		°C	55
			Starting at 40 °C, the max. permissible continuous current decreases by 3% for every 1 °C

Technical data ETIM 7.0

Circuit breakers and fuses (EG000020) / Residual current circuit breaker (RCCB) (EC000003)			
Electric engineering, automation, process control engineering / Electrical installation, device / Residual current protection system / Residual current circuit breaker (RCCB) (ecI@ss10.0.1-27-14-22-01 [AAB906014])			
Number of poles			2
Rated voltage		V	230
Rated current		A	16
Rated fault current		mA	30
Rated insulation voltage U _i		V	440
Rated impulse withstand voltage U _{imp}		kV	4
Mounting method			DIN rail
Leakage current type			A
Selective protection			No
Short-time delayed tripping			No
Short-circuit breaking capacity (I _{cw})		kA	10
Surge current capacity		kA	0.25
Frequency			50 Hz
Additional equipment possible			Yes
With interlocking device			Yes
Degree of protection (IP)			IP20
Width in number of modular spacings			2
Built-in depth		mm	69.5
Ambient temperature during operating		°C	-25 - 40
Pollution degree			2
Connectable conductor cross section multi-wired		mm ²	1.5 - 16
Connectable conductor cross section solid-core		mm ²	1.5 - 35

Dimensions





SCATTERGOOD & JOHNSON LTD

ELECTRICAL ENGINEERING & FLUID CONTROL DISTRIBUTORS

Est.1899

At Scattergood & Johnson Ltd, we pride ourselves on being a technical distributor to specialist industries.

Working with a range of quality product suppliers across a number of specialist markets, we are not your average 'box shifter' - we are your technical and supply chain partner.

We fully support every product we sell - for free! Our internal team and external sales engineers can answer any product or application question, no matter the complexity.

Backing up this technical ability is a range of 50,000+ products available from stock for nationwide next day delivery (same day if required!), or you can collect what you need from any of our trade counters around the UK.

Select your specialist interest below to learn more about how we can help.



Online, In Branch and On the Road - Scattergood & Johnson Ltd, there when you need us.

www.scatts.co.uk