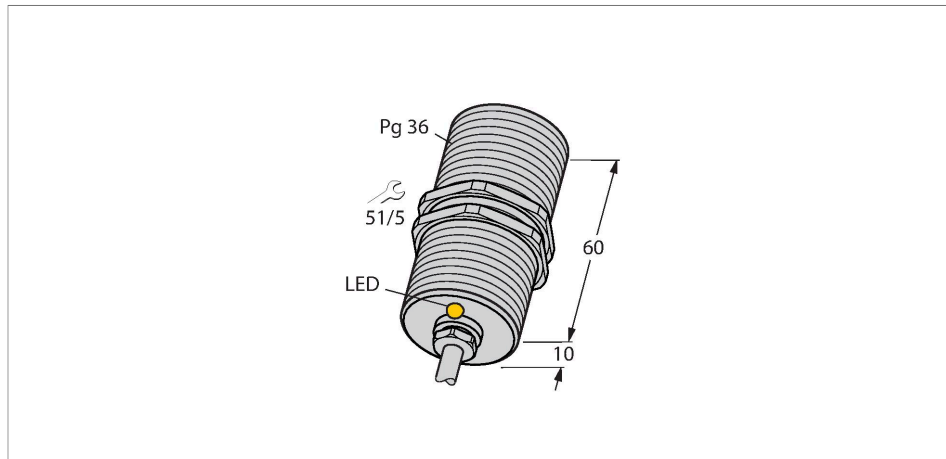


BI20-G47-AN4X

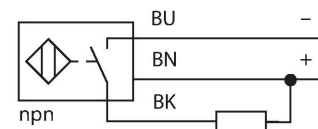
Inductive sensor



Features

- Threaded barrel, PG36
- Chrome-plated brass
- DC 3-wire, 10...65 VDC
- NO contact, NPN output
- Cable connection

Wiring diagram



Technical data

| | |
|---|---|
| Type | BI20-G47-AN4X |
| Ident. no. | 15745 |
| Rated switching distance | 20 mm |
| Mounting conditions | Flush |
| Secured operating distance | $\leq (0,81 \times S_n)$ mm |
| Correction factors | St37 = 1; Al = 0.3; stainless steel = 0.7; Ms = 0.4 |
| Repeat accuracy | $\leq 2\%$ of full scale |
| Temperature drift | $\leq \pm 10\%$ |
| Hysteresis | 3...15 % |
| Ambient temperature | -25...+70 °C |
| Operating voltage | 10...65 VDC |
| Residual ripple | $\leq 10\% U_{ss}$ |
| DC rated operational current | ≤ 200 mA |
| No-load current | ≤ 15 mA |
| Residual current | ≤ 0.1 mA |
| Isolation test voltage | ≤ 0.5 kV |
| Short-circuit protection | yes / Cyclic |
| Voltage drop at | ≤ 1.8 V |
| Wire breakage/Reverse polarity protection | yes / Complete |
| Output function | 3-wire, NO contact, NPN |
| Switching frequency | 0.1 kHz |
| Design | Threaded barrel,G47 |
| Dimensions | 70 mm |
| Housing material | Metal, CuZn, Chrome-plated |

Functional principle

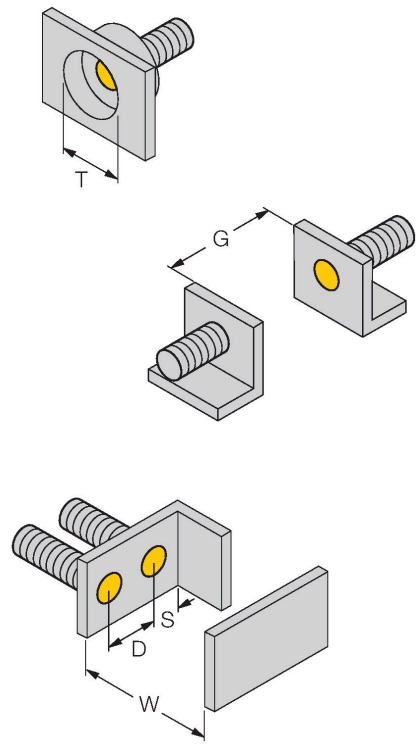
Inductive sensors detect metal objects contactless and wear-free. For this, they use a high-frequency electromagnetic AC field that interacts with the target. Inductive sensors generate this field via an RLC circuit with a ferrite coil.

Technical data

| | |
|------------------------------------|--|
| Active area material | Plastic, PA12-GF30 |
| End cap | Plastic, PA66-GF25 |
| Max. tightening torque housing nut | 90 Nm |
| Electrical connection | Cable |
| Cable quality | Ø 6.3 mm, LiÖlflex, Ölflex®, 2 m |
| Core cross-section | 3 x 0.5 mm ² |
| Vibration resistance | 55 Hz (1 mm) |
| Shock resistance | 30 g (11 ms) |
| Protection class | IP67 |
| MTTF | 2283 years acc. to SN 29500 (Ed. 99) 40 °C |
| Switching state | LED, Yellow |

Mounting instructions

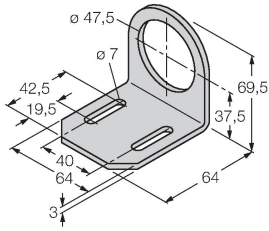
Mounting instructions/Description



| | |
|------------------------|---------|
| Distance D | 2 x B |
| Distance T | 3 x B |
| Diameter active area B | Ø 47 mm |

B120-G47-AN4X | 11/19/2019 14:37 | technical changes reserved

Accessories

MW47**69452**Mounting bracket; material: Steel plate,
galvanized



SCATTERGOOD & JOHNSON LTD

ELECTRICAL ENGINEERING & FLUID CONTROL DISTRIBUTORS

Est.1899

At Scattergood & Johnson Ltd, we pride ourselves on being a technical distributor to specialist industries.

Working with a range of quality product suppliers across a number of specialist markets, we are not your average 'box shifter' - we are your technical and supply chain partner.

We fully support every product we sell - for free! Our internal team and external sales engineers can answer any product or application question, no matter the complexity.

Backing up this technical ability is a range of 50,000+ products available from stock for nationwide next day delivery (same day if required!), or you can collect what you need from any of our trade counters around the UK.

Select your specialist interest below to learn more about how we can help.



Online, In Branch and On the Road - Scattergood & Johnson Ltd, there when you need us.

www.scatts.co.uk