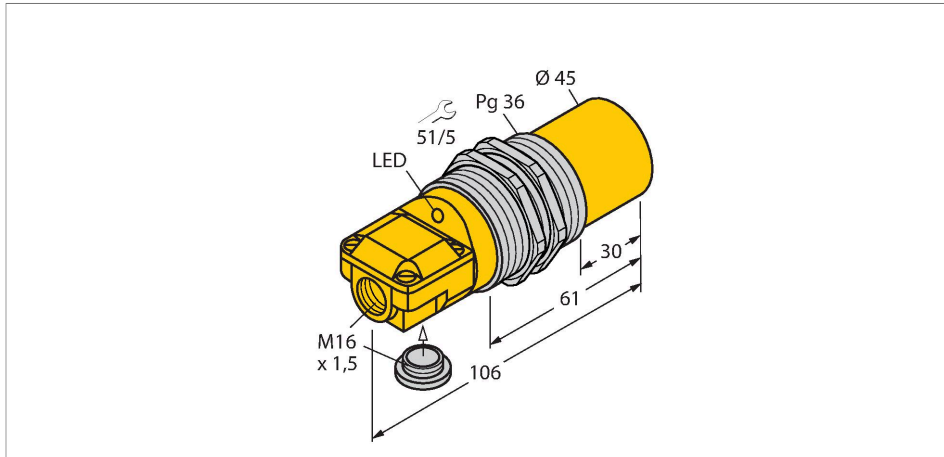


NI40-G47SR-FZ3X2

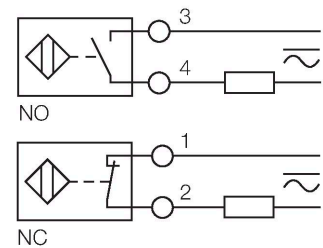
Inductive sensor



Features

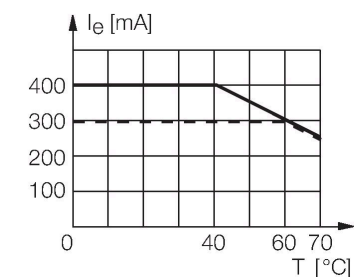
- 2 cable entries (axial, radial)
- Threaded barrel, Pg36
- Chrome-plated brass
- AC 2-wire, 20...250 VDC
- DC 2-wire, 10...300 VDC
- NC/NO programmable
- Terminal chamber

Wiring diagram



Functional principle

Inductive sensors detect metal objects contactless and wear-free. For this, they use a high-frequency electromagnetic AC field that interacts with the target. Inductive sensors generate this field via an RLC circuit with a ferrite coil.



Technical data

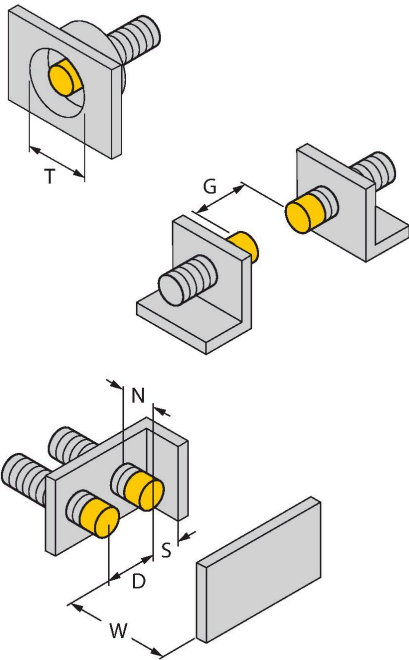
| | |
|--------------------------------|---|
| Type | NI40-G47SR-FZ3X2 |
| Ident. no. | 13428 |
| Rated switching distance | 40 mm |
| Mounting conditions | Non-flush |
| Secured operating distance | ≤ (0.81 × S _n) mm |
| Correction factors | St37 = 1; Al = 0.3; stainless steel = 0.7; Ms = 0.4 |
| Repeat accuracy | ≤ 2 % of full scale |
| Temperature drift | ≤ ± 10 % |
| Hysteresis | 3...15 % |
| Ambient temperature | -25...+70 °C |
| Operating voltage | 20...250 VAC |
| Operating voltage | 10...300 VDC |
| DC rated operational current | ≤ 300 mA |
| Frequency | ≥ 50...≤ 60 Hz |
| Residual current | ≤ 1.7 mA |
| Isolation test voltage | ≤ 1.5 kV |
| Surge current | ≤ 8 A (≤ 10 ms max. 5 Hz) |
| Voltage drop at I _e | ≤ 6 V |
| Output function | 2-wire, Connection programmable |
| Smallest operating current | ≥ 3 mA |
| Switching frequency | 0.02 kHz |
| Design | Threaded barrel, G47 |
| Dimensions | 106 mm |
| Housing material | Metal, CuZn, Chrome-plated |

Technical data

| | |
|------------------------------------|--|
| Active area material | Plastic, PA12-GF30 |
| Max. tightening torque housing nut | 90 Nm |
| Electrical connection | Terminal chamber |
| Clamping ability | $\leq 2.5 \text{ mm}^2$ |
| Vibration resistance | 55 Hz (1 mm) |
| Shock resistance | 30 g (11 ms) |
| Protection class | IP67 |
| MTTF | 2283 years acc. to SN 29500 (Ed. 99) 40 °C |
| Power-on indication | LED, Green |
| Switching state | LED, Red |
| Included in delivery | cable gland, blanking plug |

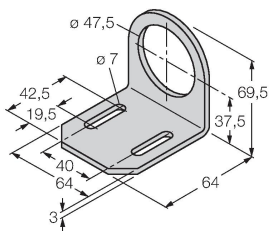
Mounting instructions

Mounting instructions/Description



| | |
|---------------------------|---------|
| Distance D | 3 x B |
| Distance W | 3 x Sn |
| Distance T | 3 x B |
| Distance S | 1.5 x B |
| Distance G | 6 x Sn |
| Distance N | 40 mm |
| Diameter active area B | Ø 47 mm |

Accessories

MW47**69452**Mounting bracket; material: Steel plate,
galvanized



SCATTERGOOD & JOHNSON LTD

ELECTRICAL ENGINEERING & FLUID CONTROL DISTRIBUTORS

Est.1899

At Scattergood & Johnson Ltd, we pride ourselves on being a technical distributor to specialist industries.

Working with a range of quality product suppliers across a number of specialist markets, we are not your average 'box shifter' - we are your technical and supply chain partner.

We fully support every product we sell - for free! Our internal team and external sales engineers can answer any product or application question, no matter the complexity.

Backing up this technical ability is a range of 50,000+ products available from stock for nationwide next day delivery (same day if required!), or you can collect what you need from any of our trade counters around the UK.

Select your specialist interest below to learn more about how we can help.



Online, In Branch and On the Road - Scattergood & Johnson Ltd, there when you need us.

www.scatts.co.uk