

# Ferrule fuse-links 22x58 gG 500 to 690VAC

## LOW VOLTAGE IEC FUSES

### IEC CYLINDRICAL FUSE-LINKS



Mersen aM and gG fuse-links cover a wide range of physical sizes and ampere ratings for 400, 500, and 690VAC for protection in electrical distribution circuits and various industrial applications. Most ratings are available in size 8x31 and size 10x38 with an optional indicator, and in size 14x51 and 22x58 with an optional striker to activate an auxiliary contact. Size 10x38 is also available with striker. All cylindrical fuse-links have ceramic bodies and silver-plated contacts. Cylindrical fuse-links “gG” are used for the protection of cables, motors and LV-networks. They limit and cut off unacceptable overcurrents and short-circuit currents up to their nominal breaking capacity. Cylindrical fuse-links “gG” also protect electrical equipment and installations against the dynamic effect of high short-currents. Our technology and process was designed to ensure highly reliable technical performance.

## TECHNICAL DATA OVERVIEW

|                      |                      |
|----------------------|----------------------|
| Voltage Range AC     | 500 ... 690 VAC      |
| Ampere Range (A)     | 2 ... 125 A          |
| Speed/Characteristic | gG                   |
| I.R. AC (IEC)        | 120 kA               |
| Body Material        | Ceramic              |
| Body Style           | cylindrical          |
| Contact Materials    | Silver plated copper |
| Product Size         | 22x58 mm             |

## FEATURES & BENEFITS

- Reduced size
- Full range protection
- Striker version available for remote indication of fuse operation
- Safest and most reliable protection system

## APPLICATIONS

- gG type for protection of line, cable against overload and short circuit in various industrial application and electrical distribution circuits.

## STANDARDS

- IEC 60269-1 & -2
- Approved by Lloyd's Register of Shipping and Bureau Veritas



# Ferrule fuse-links 22x58 gG 500 to 690VAC

## PRODUCT RANGE



FR22GG69V2

### Size 22x58 gG 500/690VAC without indicator

| Catalog number | Item number | Rated voltage AC (IEC) | Rated current I <sub>n</sub> | Rated breaking capacity AC | Power dissipation at I <sub>n</sub> | Weight |
|----------------|-------------|------------------------|------------------------------|----------------------------|-------------------------------------|--------|
| FR22GG69V2     | F219241     | 690 V                  | 2 A                          | 120 kA                     | 0.9 W                               | 54 g   |
| FR22GG69V4     | H219772     | 690 V                  | 4 A                          | 120 kA                     | 1.25 W                              | 54 g   |
| FR22GG69V6     | P222216     | 690 V                  | 6 A                          | 120 kA                     | 1.4 W                               | 54 g   |
| FR22GG69V8     | L222972     | 690 V                  | 8 A                          | 120 kA                     | 1.6 W                               | 54 g   |
| FR22GG69V10    | T200761     | 690 V                  | 10 A                         | 120 kA                     | 1.9 W                               | 54 g   |
| FR22GG69V12    | J201304     | 690 V                  | 12 A                         | 120 kA                     | 2 W                                 | 54 g   |
| FR22GG69V16    | S201818     | 690 V                  | 16 A                         | 120 kA                     | 2.5 W                               | 54 g   |
| FR22GG69V20    | P211038     | 690 V                  | 20 A                         | 120 kA                     | 3.4 W                               | 54 g   |
| FR22GG69V25    | N212072     | 690 V                  | 25 A                         | 120 kA                     | 3.5 W                               | 54 g   |
| FR22GG69V32    | F212594     | 690 V                  | 32 A                         | 120 kA                     | 3.7 W                               | 54 g   |
| FR22GG69V40    | J213609     | 690 V                  | 40 A                         | 120 kA                     | 4.3 W                               | 54 g   |
| FR22GG69V50    | P214626     | 690 V                  | 50 A                         | 120 kA                     | 5.3 W                               | 54 g   |
| FR22GG69V63    | Y215646     | 690 V                  | 63 A                         | 120 kA                     | 6.3 W                               | 54 g   |
| FR22GG69V80    | Q217180     | 690 V                  | 80 A                         | 120 kA                     | 7.4 W                               | 54 g   |
| FR22GG50V100   | E218205     | 500 V                  | 100 A                        | 120 kA                     | 8.3 W                               | 54 g   |
| FR22GG50V125   | J219773     | 500 V                  | 125 A                        | 120 kA                     | 11.3 W                              | 54 g   |



FR22GG50V125P

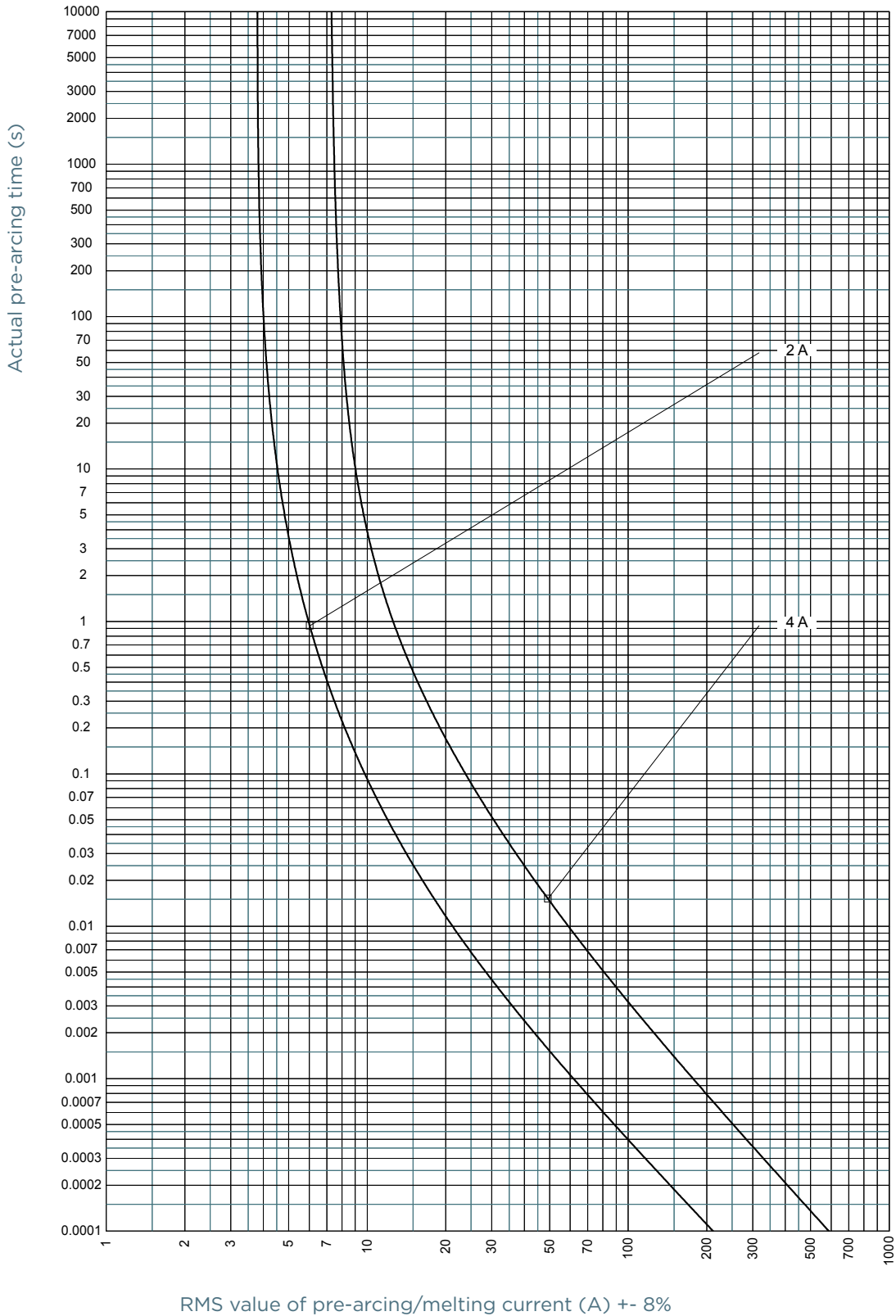
### Size 22x58 gG 500/690VAC with striker

| Catalog number | Item number | Rated voltage AC (IEC) | Rated current I <sub>n</sub> | Rated breaking capacity AC | Power dissipation at I <sub>n</sub> | Weight |
|----------------|-------------|------------------------|------------------------------|----------------------------|-------------------------------------|--------|
| FR22GG69V2P    | N093760     | 690 V                  | 2 A                          | 120 kA                     | 0.9 W                               | 54 g   |
| FR22GG69V4P    | R214628     | 690 V                  | 4 A                          | 120 kA                     | 1.25 W                              | 54 g   |
| FR22GG69V6P    | A215648     | 690 V                  | 6 A                          | 120 kA                     | 1.4 W                               | 54 g   |
| FR22GG69V8P    | F216665     | 690 V                  | 8 A                          | 120 kA                     | 1.6 W                               | 54 g   |
| FR22GG69V10P   | W217691     | 690 V                  | 10 A                         | 120 kA                     | 1.9 W                               | 54 g   |
| FR22GG69V12P   | W218726     | 690 V                  | 12 A                         | 120 kA                     | 2 W                                 | 54 g   |
| FR22GG69V16P   | L219775     | 690 V                  | 16 A                         | 120 kA                     | 2.5 W                               | 54 g   |
| FR22GG69V20P   | P222975     | 690 V                  | 20 A                         | 120 kA                     | 3.4 W                               | 54 g   |
| FR22GG69V25P   | M201307     | 690 V                  | 25 A                         | 120 kA                     | 3.5 W                               | 54 g   |
| FR22GG69V32P   | S211041     | 690 V                  | 32 A                         | 120 kA                     | 3.7 W                               | 54 g   |
| FR22GG69V40P   | R212075     | 690 V                  | 40 A                         | 120 kA                     | 4.3 W                               | 54 g   |
| FR22GG69V50P   | M213612     | 690 V                  | 50 A                         | 120 kA                     | 5.3 W                               | 54 g   |
| FR22GG69V63P   | T1022160    | 690 V                  | 63 A                         | 120 kA                     | 4.8 W                               | 54 g   |
| FR22GG69V80P   | Z1022165    | 690 V                  | 80 A                         | 120 kA                     | 6.2 W                               | 54 g   |
| FR22GG50V63P   | S214629     | 500 V                  | 63 A                         | 120 kA                     | 4.8 W                               | 54 g   |
| FR22GG50V80P   | F216159     | 500 V                  | 80 A                         | 120 kA                     | 6.2 W                               | 54 g   |
| FR22GG50V100P  | T217183     | 500 V                  | 100 A                        | 120 kA                     | 8.3 W                               | 54 g   |
| FR22GG50V125P  | H218208     | 500 V                  | 125 A                        | 120 kA                     | 11.3 W                              | 54 g   |

# Ferrule fuse-links 22x58 gG 500 to 690VAC

## TIME CURRENT CHARACTERISTIC CURVES

Size 22x58 690V gG

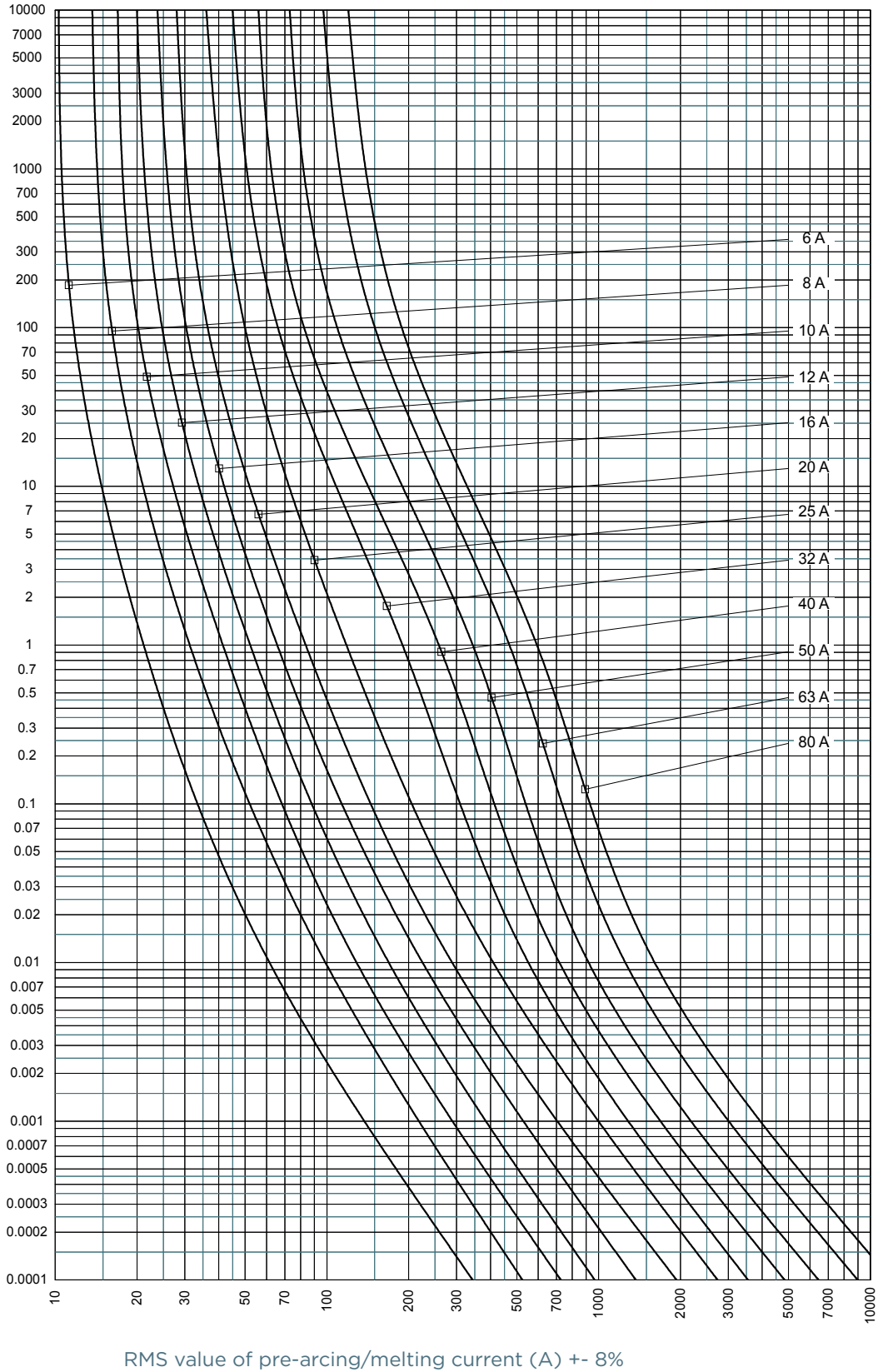


MERSEN reserves the right to change, update or correct, without notice, any information contained in this datasheet.

# Ferrule fuse-links 22x58 gG 500 to 690VAC

## TIME CURRENT CHARACTERISTIC CURVES

Size 22x58 690V gG

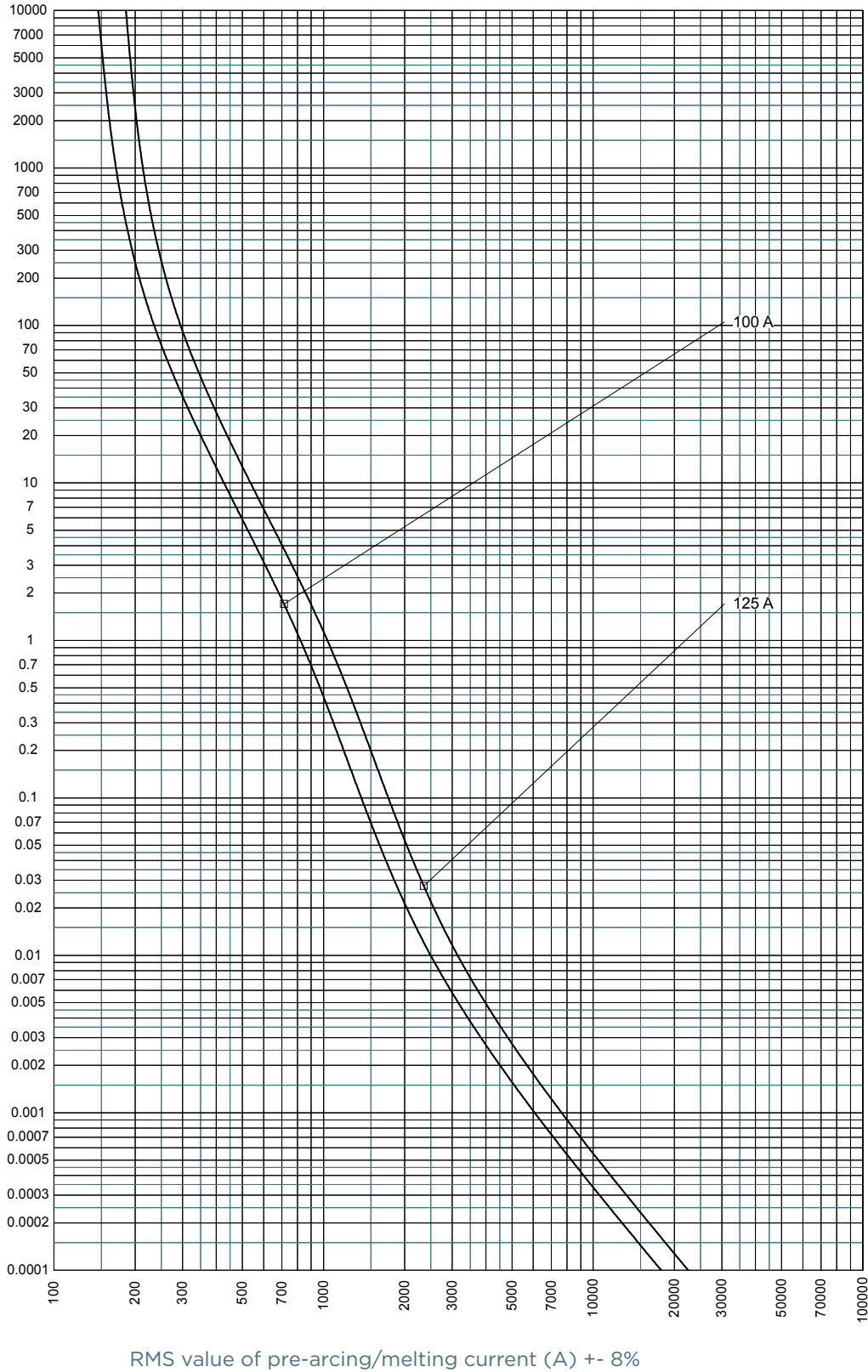


MERSEN reserves the right to change, update or correct, without notice, any information contained in this datasheet.

# Ferrule fuse-links 22x58 gG 500 to 690VAC

## TIME CURRENT CHARACTERISTIC CURVES

Size 22x58 500V gG

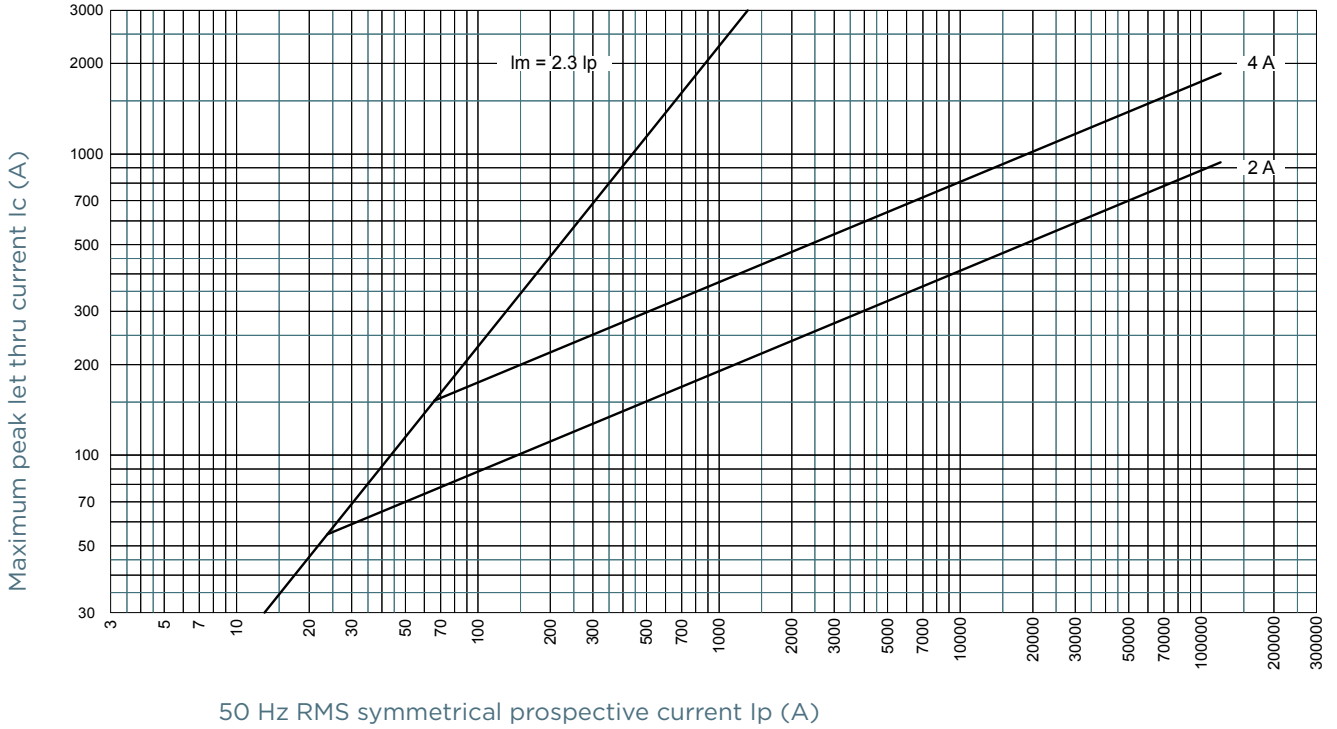


MERSEN reserves the right to change, update or correct, without notice, any information contained in this datasheet.

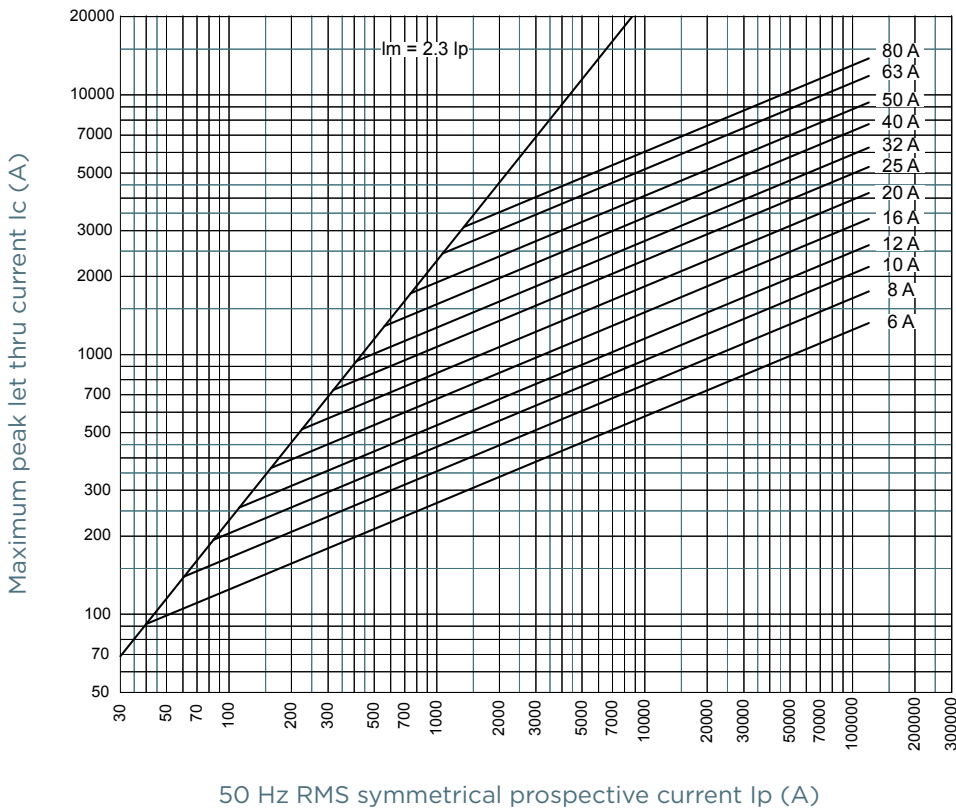
# Ferrule fuse-links 22x58 gG 500 to 690VAC

## CUT-OFF CURRENT CHARACTERISTIC

Size 22x58 690V gG



Size 22x58 690V gG

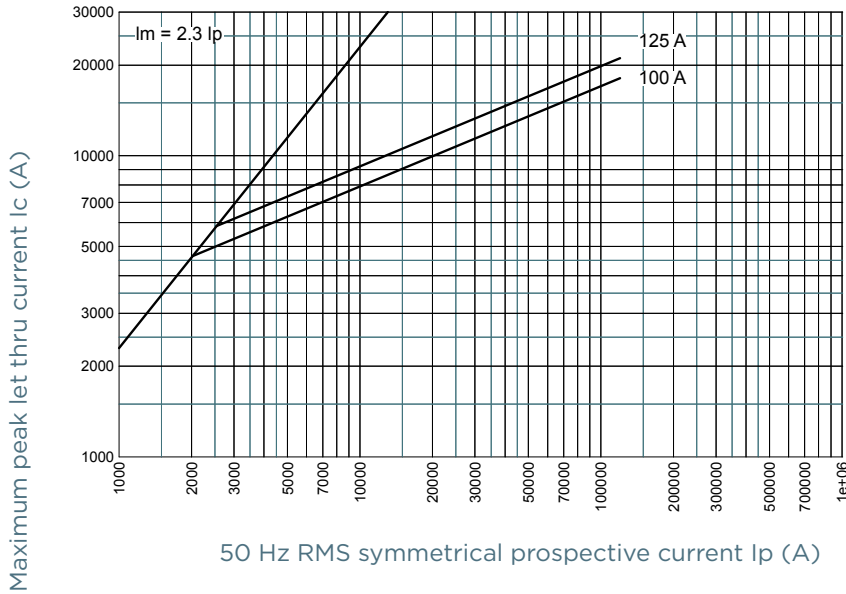


MERSEN reserves the right to change, update or correct, without notice, any information contained in this datasheet.

# Ferrule fuse-links 22x58 gG 500 to 690VAC

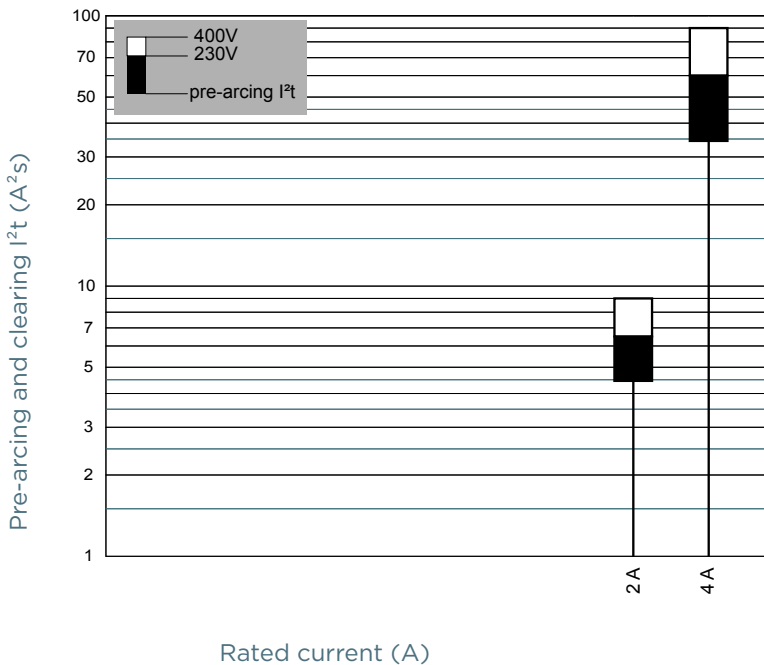
## CUT-OFF CURRENT CHARACTERISTIC

Size 22x58 500V gG



## PRE-ARCING AND OPERATING $I^2t$ CHARACTERISTICS

Size 22x58 690V gG

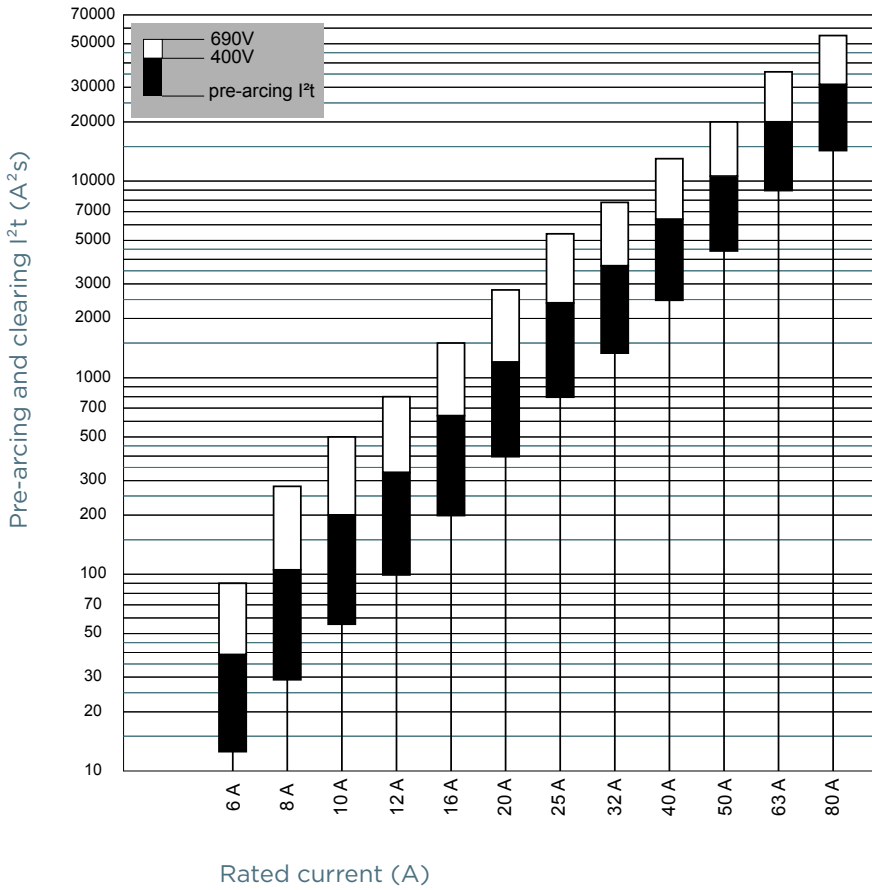


MERSEN reserves the right to change, update or correct, without notice, any information contained in this datasheet.

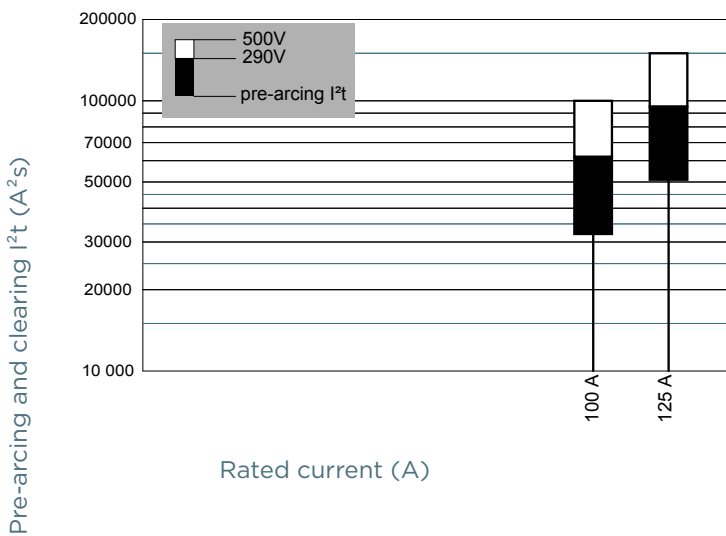
# Ferrule fuse-links 22x58 gG 500 to 690VAC

## PRE-ARCING AND OPERATING I<sup>2</sup>T CHARACTERISTICS

### Size 22x58 690V gG



### Size 22x58 500V gG

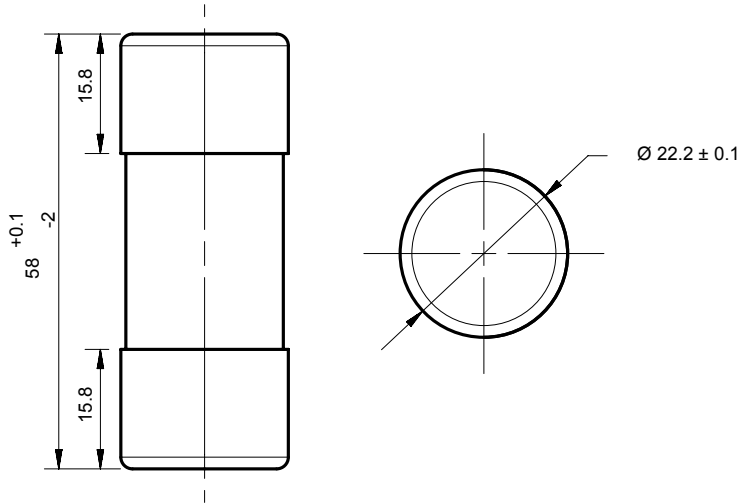


MERSEN reserves the right to change, update or correct, without notice, any information contained in this datasheet.

# Ferrule fuse-links 22x58 gG 500 to 690VAC

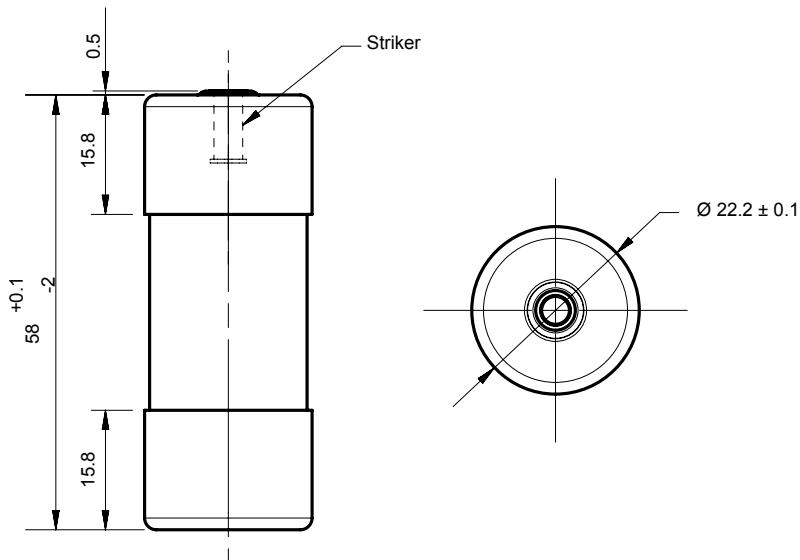
## DIMENSIONS

**Size 22x58 gG without indicator** (10012114)



Dimensions in mm

**Size 22x58 gG with striker** (1001213)



Dimensions in mm

MERSEN reserves the right to change, update or correct, without notice, any information contained in this datasheet.



# SCATTERGOOD & JOHNSON LTD

ELECTRICAL ENGINEERING & FLUID CONTROL DISTRIBUTORS

Est.1899

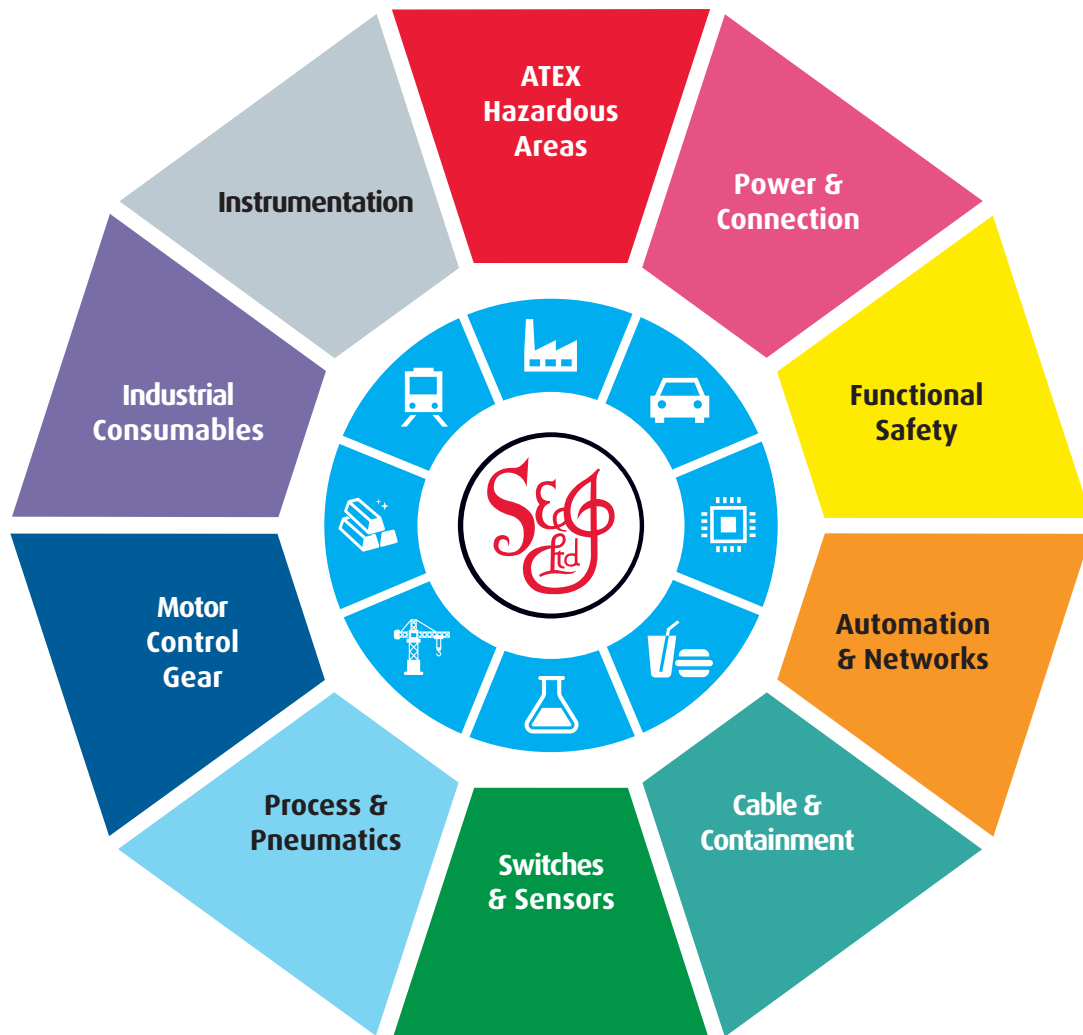
At Scattergood & Johnson Ltd, we pride ourselves on being a technical distributor to specialist industries.

Working with a range of quality product suppliers across a number of specialist markets, we are not your average 'box shifter' - we are your technical and supply chain partner.

We fully support every product we sell - for free! Our internal team and external sales engineers can answer any product or application question, no matter the complexity.

Backing up this technical ability is a range of 50,000+ products available from stock for nationwide next day delivery (same day if required!), or you can collect what you need from any of our trade counters around the UK.

Select your specialist interest below to learn more about how we can help.



Online, In Branch and On the Road - Scattergood & Johnson Ltd, there when you need us.

# [www.scatts.co.uk](http://www.scatts.co.uk)