

Bailey & Mackey Ltd



Type 1382 & 1482

This series of pressure switches are used to monitor the difference between two pressures. For example, they can be used to monitor filter condition and signal when the filter is becoming blocked. They can also be used as flow monitoring switches if used across orifice plates etc.

- Robust and Reliable
- Diaphragm Operated
- Proven Performance
- Fully Adjustable
- Enclosure Rating IP65
- CE Marked



Mechanical Specifications

Pressures

Type	Pressure Ranges	Hysteresis Typical
1382	0.07 to 1 bar	0.04 bar
1382	0.2 to 4 bar	0.07 bar
1382	0.5 to 11 bar	0.3 bar
1382	2 to 28 bar	0.6 bar
1482	5 to 125 mbar	2.5 mbar
1482	15 to 250 mbar	4 mbar
1482	25 to 400 mbar	10 mbar

Max. Line Pressure

Pressure range \geq 250mbar	34 bar
Pressure range $<$ 250mbar	14 bar

Standard Materials

Diaphragm	Beryllium Copper
All Seals	Nitrile Rubber
Connection	Brass
Housing	Aluminium / Zinc Diecast
Cover	Glass filled Nylon with Neoprene Seal
Base	Brass

Electrical Ratings

10 amp at 250V 50Hz Inductive Load

1 amp at 30V dc Inductive Load

For the other voltages and current ratings please consult our Technical Sales Team.

Alternative Wetted Parts

Connections	316 Stainless Steel
Diaphragm	17 / 7 PH Stainless Steel
Seals	Viton Rubber

Further Information

Installation

These Pressure Switches can be mounted directly on the connecting thread, a mounting bracket is available if required

Vacuum Use

If used to detect the difference between two levels of vacuum a slight modification is needed and vacuum use must be specified when ordering.

At ambient pressure the switches will be in the operated condition consequently the wiring should be reversed i.e NO becomes NC.

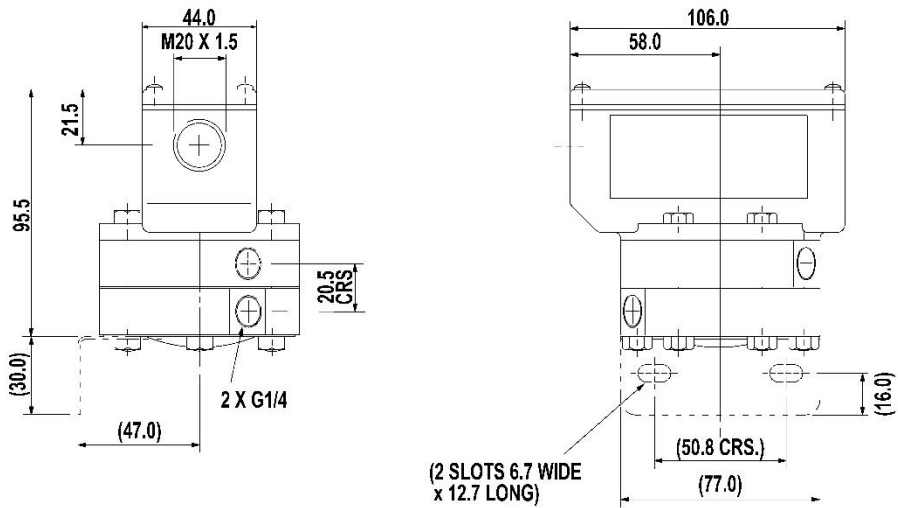
Overload

Dimensions of the Diaphragm housing are such that the movement of the diaphragm is stopped when the diaphragm exceeds the range. This ensures that the differential pressure switches will accept the accidental application of 4 times the range without damage except for a possible setting shift of up to 2% of range. It is possible that these switches can be modified to accept the full line pressure on one side of the diaphragm.

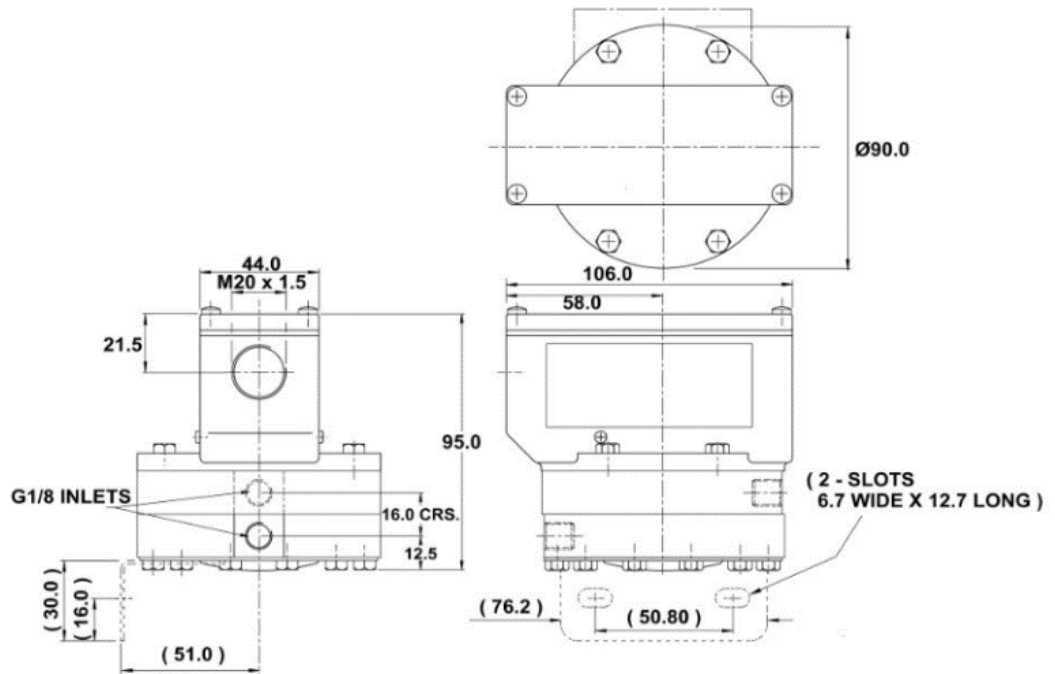
Twin Circuit Options also available.

Technical Drawings

1382



1482



Switches



SCATTERGOOD & JOHNSON LTD

ELECTRICAL ENGINEERING & FLUID CONTROL DISTRIBUTORS

Est.1899

At Scattergood & Johnson Ltd, we pride ourselves on being a technical distributor to specialist industries.

Working with a range of quality product suppliers across a number of specialist markets, we are not your average 'box shifter' - we are your technical and supply chain partner.

We fully support every product we sell - for free! Our internal team and external sales engineers can answer any product or application question, no matter the complexity.

Backing up this technical ability is a range of 50,000+ products available from stock for nationwide next day delivery (same day if required!), or you can collect what you need from any of our trade counters around the UK.

Select your specialist interest below to learn more about how we can help.



Online, In Branch and On the Road - Scattergood & Johnson Ltd, there when you need us.

www.scatts.co.uk