

ARCA 203015



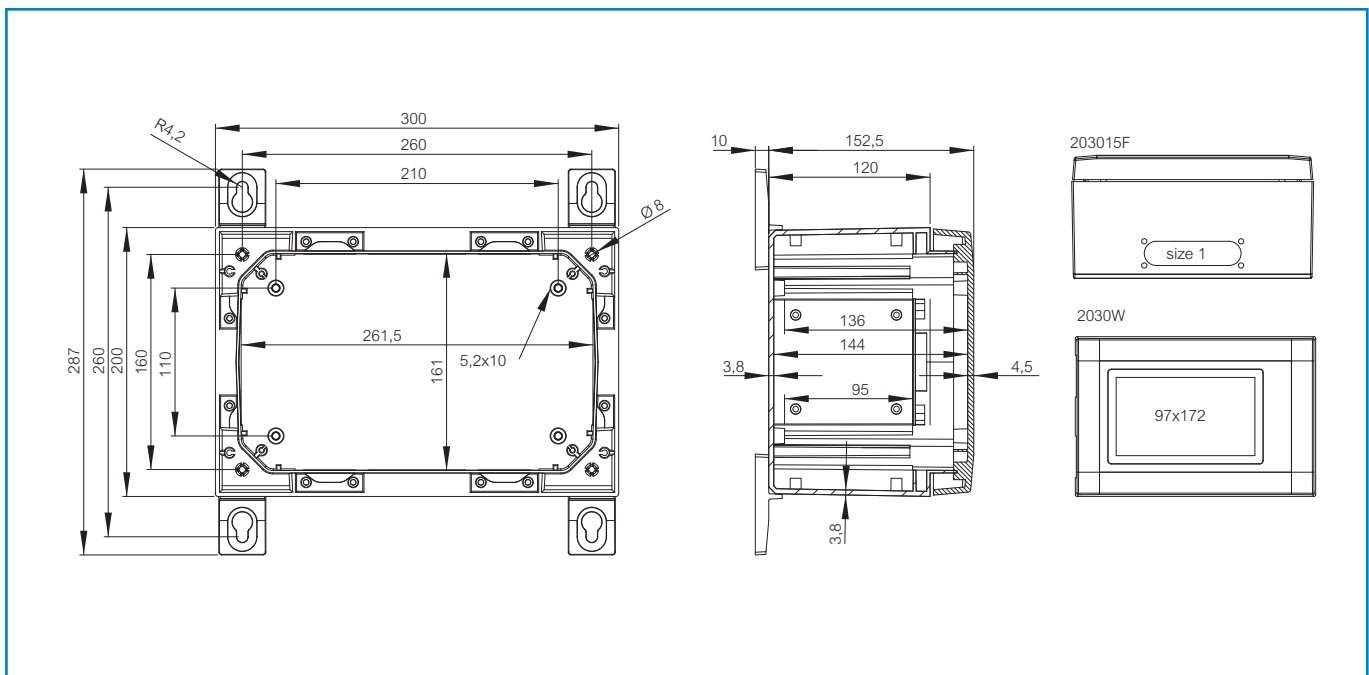
Sample photo

Order symbol: ARCA 203015
Product nbr: 8120020
Description: Cabinet, PC
Remarks: 1-point locking

EAN: 6418074079312
EI. number:
 Finland: 3423117
 Electric No. 8212091184
 Denmark:
 Electric No. Sweden: 2500109

Including: Cabinet base, door with PUR gasket, mounting plate, screws for mounting plate. 3mm double bit lock(s) with key. S versions with swinghandle 2-point locking system. F versions with flange opening (including gasket and screws). Door guide included.

Dimensions:				Accessories:	
	Length	Width	Height		
mm:	200	300	150	MPP ARCA 2030	Mounting plate perforated (250x150x2 mm - 26x11 mm)
inch:	7.9	11.8	5.9	MPMP ARCA 3020	Mounting plate multiperforated (250x150x2 mm - □3.6 mm)
Materials:				MPX ARCA 3020	Mounting plate (250x150 mm)
Material:	Polycarbonate			DRS ARCA 203015	DIN rail frame set
Base colour:	RAL 7035 -light grey			IDS ARCA 2030	Inner door set
Cover colour:	RAL 7035 -light grey			PMK ARCA 30	Pole mounting kit
Gasket material:	Polyurethane			RCS ARCA 2030	Rain canopy set
Temperatures:				SBK ARCA 20	Support bar kit
Temperature °C (short term):	-40 ... 120 °C			SBK ARCA 30	Support bar kit
Temperature °C (continuous):	-40 ... 80 °C			Rating:	
Temperature °F (short term):	-40 ... 250 °F			Ingress Protection (EN 60529): IP66	
Temperature °F (continuous):	-40 ... 175 °F			Impact Resistance (EN 62262): IK10 +35°C /IK08 -25°C	
Accessories:				Electrical insulation: Totally insulated	
MPS ARCA 3020	Mounting plate (250x150x2 mm)			Halogen free (DIN/VDE 0472, Part 815): 1	
				UV resistance: UL 508	
				Flammability Rating: UL 94 5VA	
				Glow Wire Test (IEC 695-2-1) °C: 960	
				NEMA Class: NEMA 4, 4X, 12 and 13	
				Certificates:	
				SGS Fimko	





SCATTERGOOD & JOHNSON LTD

ELECTRICAL ENGINEERING & FLUID CONTROL DISTRIBUTORS

Est.1899

At Scattergood & Johnson Ltd, we pride ourselves on being a technical distributor to specialist industries.

Working with a range of quality product suppliers across a number of specialist markets, we are not your average 'box shifter' - we are your technical and supply chain partner.

We fully support every product we sell - for free! Our internal team and external sales engineers can answer any product or application question, no matter the complexity.

Backing up this technical ability is a range of 50,000+ products available from stock for nationwide next day delivery (same day if required!), or you can collect what you need from any of our trade counters around the UK.

Select your specialist interest below to learn more about how we can help.



Online, In Branch and On the Road - Scattergood & Johnson Ltd, there when you need us.

www.scatts.co.uk