

ARCA 304015



Sample photo

Order symbol: ARCA 304015
Product nbr: 8120022
Description: Cabinet, PC
Remarks: 2-point locking

EAN: 6418074079336
EI. number:
 Finland: 3423119
 Electric No. 8212091207
 Denmark:
 Electric No. Sweden: 2500111

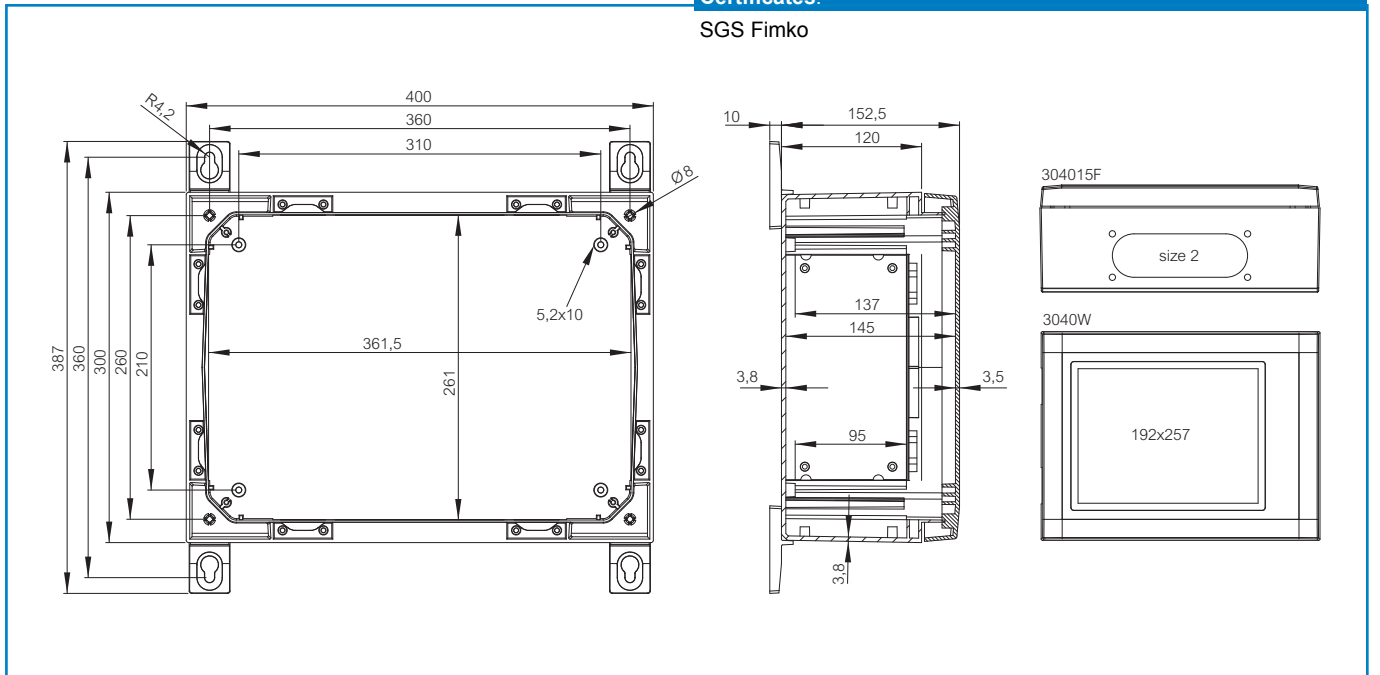
Including: Cabinet base, door with PUR gasket, mounting plate, screws for mounting plate. 3mm double bit lock(s) with key. S versions with swinghandle 2-point locking system. F versions with flange opening (including gasket and screws). Door guide included.

Dimensions:				Accessories:	
	Length	Width	Height		
mm:	300	400	150	MPP ARCA 3040	Mounting plate perforated (350x250x2 mm - 26x11 mm)
inch:	11.8	15.7	5.9	MPMP ARCA 4030	Mounting plate multiperforated (350x250x2 mm - □3.6 mm)
Materials:				MPX ARCA 4030	Mounting plate (350x250 mm)
Material:	Polycarbonate			DRS ARCA 304015	DIN rail frame set
Base colour:	RAL 7035 -light grey			IDS ARCA 3040	Inner door set
Cover colour:	RAL 7035 -light grey			PMK ARCA 40	Pole mounting kit
Gasket material:	Polyurethane			RCS ARCA 3040	Rain canopy set
Temperatures:				SBK ARCA 30	Support bar kit
Temperature °C (short term):	-40 ... 120 °C			SBK ARCA 40	Support bar kit
Temperature °C (continuous):	-40 ... 80 °C			DSP ARCA HLS	Door stopper ARCA, horizontal, left, small
Temperature °F (short term):	-40 ... 250 °F			DSP ARCA HRS	Door stopper ARCA, horizontal, right, small
Temperature °F (continuous):	-40 ... 175 °F				

Accessories:	
MPS ARCA 4030	Mounting plate (350x250x2 mm)

Rating:
 Ingress Protection (EN 60529): IP66
 Impact Resistance (EN 62262): IK10 +35°C /IK08 -25°C
 Electrical insulation: Totally insulated
 Halogen free (DIN/VDE 0472, Part 815): 1
 UV resistance: UL 508
 Flammability Rating: UL 94 5VA
 Glow Wire Test (IEC 695-2-1) °C: 960
 NEMA Class: NEMA 4, 4X, 12 and 13

Certificates:
 SGS Fimko





SCATTERGOOD & JOHNSON LTD

ELECTRICAL ENGINEERING & FLUID CONTROL DISTRIBUTORS

Est.1899

At Scattergood & Johnson Ltd, we pride ourselves on being a technical distributor to specialist industries.

Working with a range of quality product suppliers across a number of specialist markets, we are not your average 'box shifter' - we are your technical and supply chain partner.

We fully support every product we sell - for free! Our internal team and external sales engineers can answer any product or application question, no matter the complexity.

Backing up this technical ability is a range of 50,000+ products available from stock for nationwide next day delivery (same day if required!), or you can collect what you need from any of our trade counters around the UK.

Select your specialist interest below to learn more about how we can help.



Online, In Branch and On the Road - Scattergood & Johnson Ltd, there when you need us.

www.scatts.co.uk