

ARCA 403015

Order symbol: ARCA 403015
Product nbr: 8120006
Description: Cabinet, PC
Remarks: 2-point locking

EAN: 6418074079176
EI. number:
 Finland: 3423051
 Electric No. 8212091045
 Denmark:
 Electric No. Sweden: 2500112



Sample photo

Including: Cabinet base, door with PUR gasket, mounting plate, screws for mounting plate. 3mm double bit lock(s) with key. S versions with swinghandle 2-point locking system. F versions with flange opening (including gasket and screws). Door guide included.

Dimensions:	Length	Width	Height	Accessories:
mm:	400	300	150	MPP ARCA 4030
inch:	15.7	11.8	5.9	MPMP ARCA 4030

Materials:

Material:	Polycarbonate
Base colour:	RAL 7035 -light grey
Cover colour:	RAL 7035 -light grey
Gasket material:	Polyurethane

Temperatures:

Temperature °C (short term):	-40 ... 120 °C
Temperature °C (continuous):	-40 ... 80 °C
Temperature °F (short term):	-40 ... 250 °F
Temperature °F (continuous):	-40 ... 175 °F

Accessories:

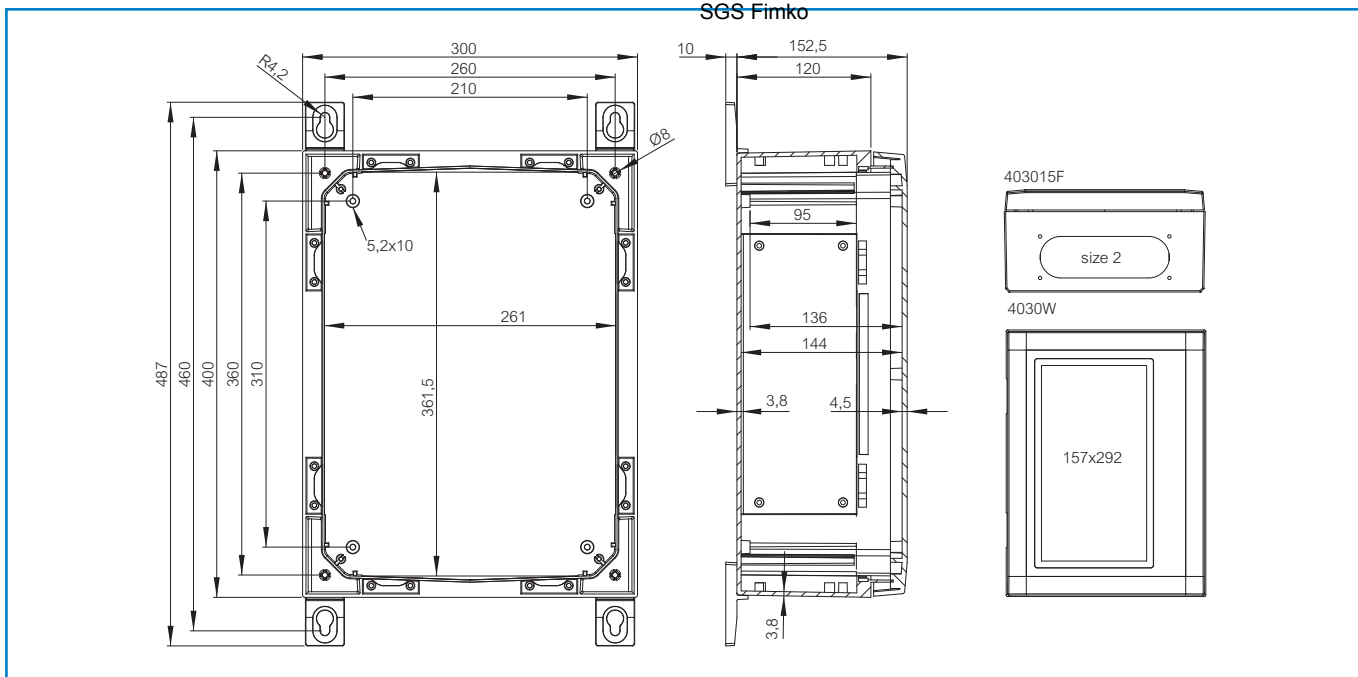
MPS ARCA 4030	Mounting plate (350x250x2 mm)
---------------	-------------------------------

MPP ARCA 4030	Mounting plate perforated (350x250x2 mm - 26x11 mm)
MPMP ARCA 4030	Mounting plate multiperforated (350x250x2 mm - □3.6 mm)
MPX ARCA 4030	Mounting plate (350x250 mm)
DRS ARCA 403015	DIN rail frame set
IDS ARCA 4030	Inner door set
PMK ARCA 30	Pole mounting kit
RCS ARCA 4030	Rain canopy set
SBK ARCA 30	Support bar kit
SBK ARCA 40	Support bar kit
DSP ARCA VLS	Door stopper ARCA, vertical, left, small
DSP ARCA VRS	Door stopper ARCA, vertical, right, small

Rating:

Ingress Protection (EN 60529):	IP66
Impact Resistance (EN 62262):	IK10 +35°C /IK08 -25°C
Electrical insulation:	Totally insulated
Halogen free (DIN/VDE 0472, Part 815):	1
UV resistance:	UL 508
Flammability Rating:	UL 94 5VA
Glow Wire Test (IEC 695-2-1) °C:	960
NEMA Class:	NEMA 4, 4X, 12 and 13

Certificates:
SGS Fimko





SCATTERGOOD & JOHNSON LTD

ELECTRICAL ENGINEERING & FLUID CONTROL DISTRIBUTORS

Est.1899

At Scattergood & Johnson Ltd, we pride ourselves on being a technical distributor to specialist industries.

Working with a range of quality product suppliers across a number of specialist markets, we are not your average 'box shifter' - we are your technical and supply chain partner.

We fully support every product we sell - for free! Our internal team and external sales engineers can answer any product or application question, no matter the complexity.

Backing up this technical ability is a range of 50,000+ products available from stock for nationwide next day delivery (same day if required!), or you can collect what you need from any of our trade counters around the UK.

Select your specialist interest below to learn more about how we can help.



Online, In Branch and On the Road - Scattergood & Johnson Ltd, there when you need us.

www.scatts.co.uk