

ARCA 406021



Sample photo

Order symbol: ARCA 406021
Product nbr: 8120026
Description: Cabinet, PC
Remarks: 2-point locking

EAN: 6418074079374
EI. number:
 Finland: 3423124
 Electric No. 8212091249
 Denmark:
 Electric No. Sweden: 2500117

Including: Cabinet base, door with PUR gasket, mounting plate, screws for mounting plate. 3mm double bit lock(s) with key. S versions with swinghandle 2-point locking system. F versions with flange opening (including gasket and screws). Door guide included.

Dimensions:	Length	Width	Height	Accessories:
mm:	400	600	210	MPP ARCA 4060 Mounting plate perforated (550x350x2 mm - 26x11 mm)
inch:	15.7	23.6	8.3	MPMP ARCA 6040 Mounting plate multiperforated (550x350x2 mm - □3.6 mm)

Materials:	
Material:	Polycarbonate
Base colour:	RAL 7035 -light grey
Cover colour:	RAL 7035 -light grey
Gasket material:	Polyurethane

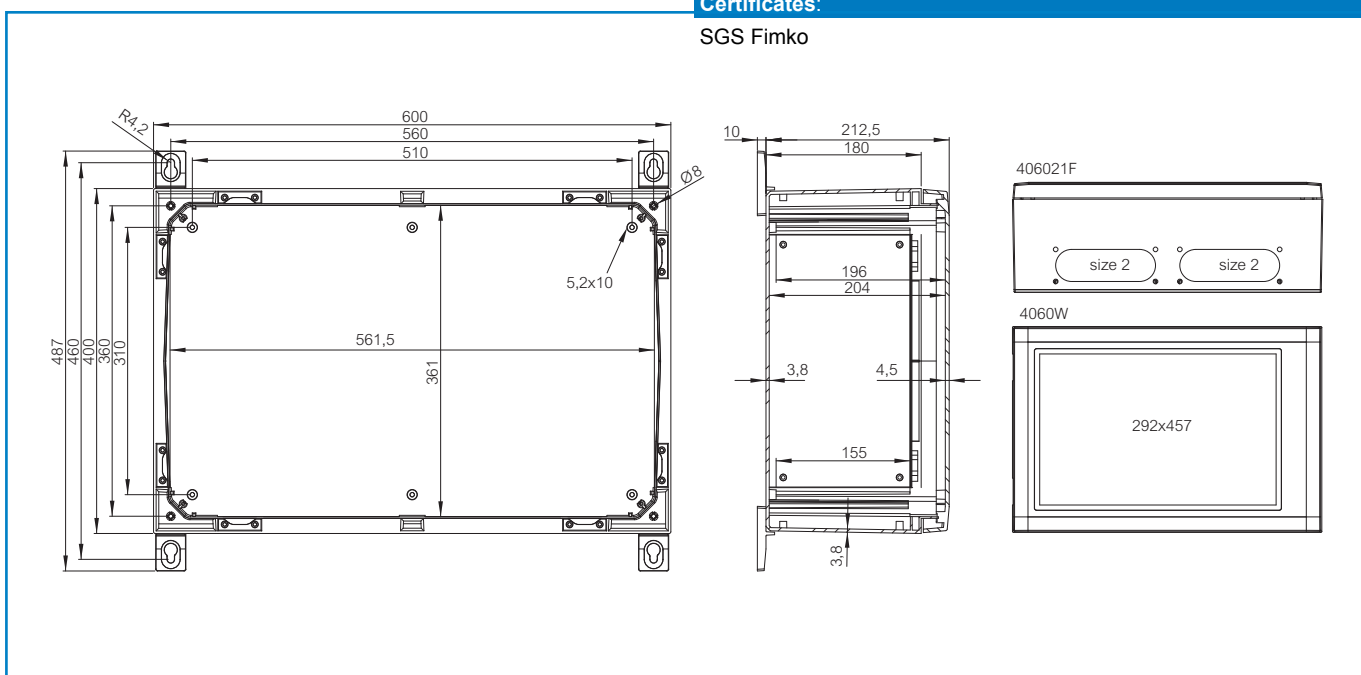
Temperatures:	
Temperature °C (short term):	-40 ... 120 °C
Temperature °C (continuous):	-40 ... 80 °C
Temperature °F (short term):	-40 ... 250 °F
Temperature °F (continuous):	-40 ... 175 °F

Accessories:	
MPS ARCA 6040	Mounting plate (550x350x2 mm)

MPX ARCA 6040	Mounting plate (550x350 mm)
DRS ARCA 406021	DIN rail frame set
IDS ARCA 4060	Inner door set
PMK ARCA 60	Pole mounting kit
RCS ARCA 4060	Rain canopy set
SBK ARCA 40	Support bar kit
SBK ARCA 60	Support bar kit
DSP ARCA HLS	Door stopper ARCA, horizontal, left, small
DSP ARCA HRS	Door stopper ARCA, horizontal, right, small

Rating:
Ingress Protection (EN 60529): IP66
Impact Resistance (EN 62262): IK10 +35°C /IK08 -25°C
Electrical insulation: Totally insulated
Halogen free (DIN/VDE 0472, Part 815): 1
UV resistance: UL 508
Flammability Rating: UL 94 5VA
Glow Wire Test (IEC 695-2-1) °C: 960
NEMA Class: NEMA 4, 4X, 12 and 13

Certificates:
SGS Fimko





SCATTERGOOD & JOHNSON LTD

ELECTRICAL ENGINEERING & FLUID CONTROL DISTRIBUTORS

Est.1899

At Scattergood & Johnson Ltd, we pride ourselves on being a technical distributor to specialist industries.

Working with a range of quality product suppliers across a number of specialist markets, we are not your average 'box shifter' - we are your technical and supply chain partner.

We fully support every product we sell - for free! Our internal team and external sales engineers can answer any product or application question, no matter the complexity.

Backing up this technical ability is a range of 50,000+ products available from stock for nationwide next day delivery (same day if required!), or you can collect what you need from any of our trade counters around the UK.

Select your specialist interest below to learn more about how we can help.



Online, In Branch and On the Road - Scattergood & Johnson Ltd, there when you need us.

www.scatts.co.uk