

MNX PC 125/75 HG



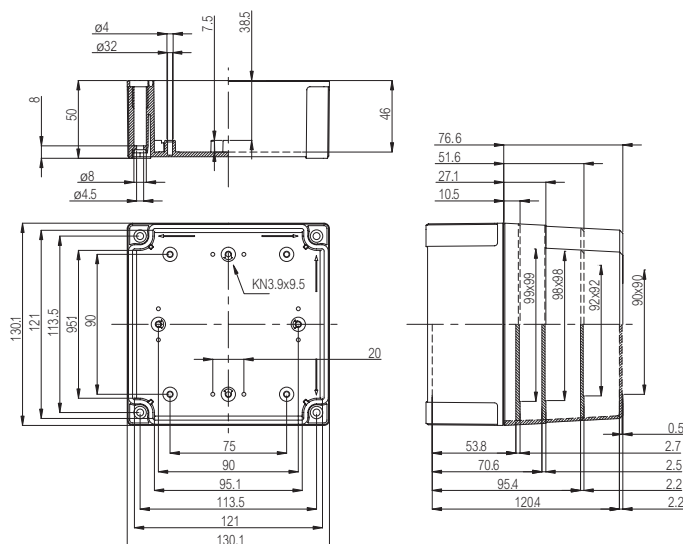
Sample photo

Order symbol: PC 125/75 HG
Product nbr: 6011308
Description: Enclosure, PC
Remarks: Grey cover

EAN: 6418074014023
El. number:
 Finland: 3420332
 Electric No. 8212022276
 Denmark:
 Electric No. Italy: 7351057
 Electric No. Sweden: 6011308

Including: Base with TPE gasket, screws for mounting plate/DIN-rail and cover with polyamide cover screws. The cabinets were designed and tested for wall-/pole mounting in upright position.

Dimensions:				Accessories:	
	Length	Width	Height		
mm:	130	130	75	MIN 10	DIN-15 Mounting rail
inch:	5.1	5.1	3.0	MIV 10	DIN-35 Mounting rail
Materials:				FP A 125/130	Front plate (Aluminium)
Material:	Polycarbonate			HFP 130	Front plate hinge series
Base colour:	RAL 7035 -light grey			FP 22046	Wall fastening lug (4 pcs)
Cover screws material:	Polyamide			Rating:	
Cover colour:	RAL 7035 -light grey			Ingress Protection (EN 60529): IP66/IP67	
Cover screws colour:	Grey			Impact Resistance (EN 62262): IK08	
Gasket material:	TPE			Electrical insulation: Totally insulated	
Temperatures:				Halogen free (DIN/VDE 0472, Part 815): 1	
Temperature °C (short term):	-40 ... 120 °C			UV resistance: UL 508	
Temperature °C (continuous):	-40 ... 80 °C			Flammability Rating: UL 746C 5"	
Temperature °F (short term):	-40 ... 250 °F			Glow Wire Test (IEC 695-2-1) °C: 960	
Temperature °F (continuous):	-40 ... 175 °F			NEMA Class: NEMA 1, 4, 4X, 6	
Accessories:				Certificates:	
MIV 125	Mounting plate (Galvanized steel)			SGS Fimko	





SCATTERGOOD & JOHNSON LTD

ELECTRICAL ENGINEERING & FLUID CONTROL DISTRIBUTORS

Est.1899

At Scattergood & Johnson Ltd, we pride ourselves on being a technical distributor to specialist industries.

Working with a range of quality product suppliers across a number of specialist markets, we are not your average 'box shifter' - we are your technical and supply chain partner.

We fully support every product we sell - for free! Our internal team and external sales engineers can answer any product or application question, no matter the complexity.

Backing up this technical ability is a range of 50,000+ products available from stock for nationwide next day delivery (same day if required!), or you can collect what you need from any of our trade counters around the UK.

Select your specialist interest below to learn more about how we can help.



Online, In Branch and On the Road - Scattergood & Johnson Ltd, there when you need us.

www.scatts.co.uk