

MNX PC 150/125 HG



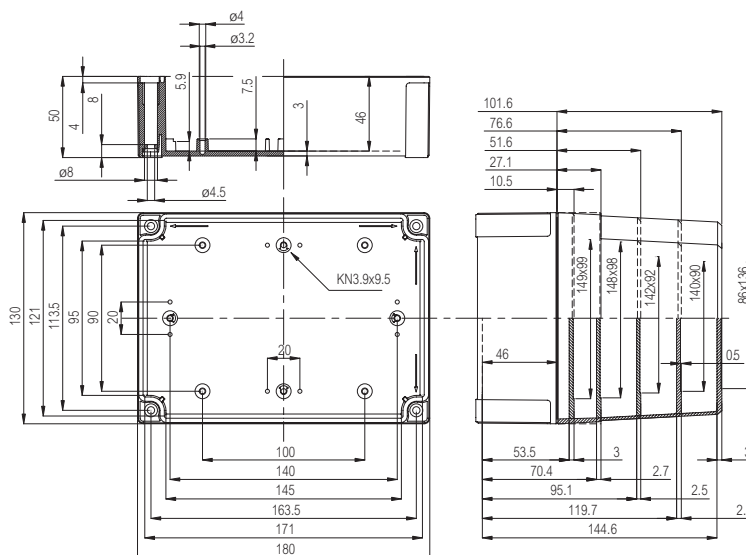
Sample photo

Order symbol: PC 150/125 HG
Product nbr: 6011316
Description: Enclosure, PC
Remarks: Grey cover

EAN: 6418074022202
EI. number:
 Finland: 3420357
 Electric No. Denmark: 8212022195
 Electric No. Italy: 7351105
 Electric No. Sweden: 2535560

Including: Base with TPE gasket, screws for mounting plate/DIN-rail and cover with polyamide cover screws. The cabinets were designed and tested for wall-/pole mounting in upright position.

Dimensions:				Accessories:	
	Length	Width	Height		
mm:	180	130	125	MIN 10	DIN-15 Mounting rail
inch:	7.1	5.1	4.9	MIN 15	DIN-15 Mounting rail
Materials:				MIV 10	DIN-35 Mounting rail
Material:	Polycarbonate			MIV 15	DIN-35 Mounting rail
Base colour:	RAL 7035 -light grey			FP A 150/180	Front plate (Aluminium)
Cover screws material:	Polyamide			HFP 180	Front plate hinge series
Cover colour:	RAL 7035 -light grey			FP 22046	Wall fastening lug (4 pcs)
Cover screws colour:	Grey			Rating:	
Gasket material:	TPE			Ingress Protection (EN 60529): IP66/IP67	
Temperatures:				Impact Resistance (EN 62262): IK08	
Temperature °C (short term):	-40 ... 120 °C			Electrical insulation: Totally insulated	
Temperature °C (continuous):	-40 ... 80 °C			Halogen free (DIN/VDE 0472, Part 815): 1	
Temperature °F (short term):	-40 ... 250 °F			UV resistance: UL 508	
Temperature °F (continuous):	-40 ... 175 °F			Flammability Rating: UL 746C 5"	
Accessories:				Glow Wire Test (IEC 695-2-1) °C: 960	
MIV 150	Mounting plate (Galvanized steel)			NEMA Class: NEMA 1, 4, 4X, 6	
				Certificates:	
				SGS Fimko	





SCATTERGOOD & JOHNSON LTD

ELECTRICAL ENGINEERING & FLUID CONTROL DISTRIBUTORS

Est.1899

At Scattergood & Johnson Ltd, we pride ourselves on being a technical distributor to specialist industries.

Working with a range of quality product suppliers across a number of specialist markets, we are not your average 'box shifter' - we are your technical and supply chain partner.

We fully support every product we sell - for free! Our internal team and external sales engineers can answer any product or application question, no matter the complexity.

Backing up this technical ability is a range of 50,000+ products available from stock for nationwide next day delivery (same day if required!), or you can collect what you need from any of our trade counters around the UK.

Select your specialist interest below to learn more about how we can help.



Online, In Branch and On the Road - Scattergood & Johnson Ltd, there when you need us.

www.scatts.co.uk