

MNX PC 150/150 HT



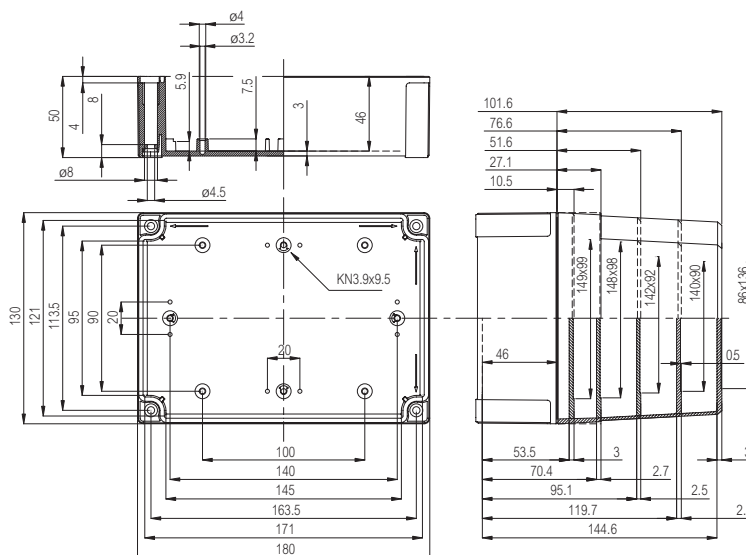
Sample photo

Order symbol: PC 150/150 HT
Product nbr: 6011917
Description: Enclosure, PC
Remarks: Smoked transparent cover

EAN: 6418074052186
EI. number:
 Finland: 3435216
 Electric No. Denmark: 8212027653
 Electric No. Sweden: 6011917

Including: Base with TPE gasket, screws for mounting plate/DIN-rail and cover with polyamide cover screws. The cabinets were designed and tested for wall-/pole mounting in upright position.

Dimensions:				Accessories:	
	Length	Width	Height		
mm:	180	130	150	MIN 10	DIN-15 Mounting rail
inch:	7.1	5.1	5.9	MIN 15	DIN-15 Mounting rail
				MIV 10	DIN-35 Mounting rail
				MIV 15	DIN-35 Mounting rail
				FP A 150/180	Front plate (Aluminium)
				HFP 180	Front plate hinge series
				FP 22046	Wall fastening lug (4 pcs)
Materials:				Rating:	
Material:	Polycarbonate			Ingress Protection (EN 60529): IP66/IP67	
Base colour:	RAL 7035 -light grey			Impact Resistance (EN 62262): IK08	
Cover screws material:	Polyamide			Electrical insulation: Totally insulated	
Cover colour:	Smoked grey			Halogen free (DIN/VDE 0472, Part 815): 1	
Cover screws colour:	Black			UV resistance: UL 508	
Gasket material:	TPE			Flammability Rating: UL 746C 5"	
				Glow Wire Test (IEC 695-2-1) °C: 960	
				NEMA Class: NEMA 1, 4, 4X, 6	
Temperatures:				Certificates:	
Temperature °C (short term):	-40 ... 120 °C			SGS Fimko	
Temperature °C (continuous):	-40 ... 80 °C				
Temperature °F (short term):	-40 ... 250 °F				
Temperature °F (continuous):	-40 ... 175 °F				
Accessories:					
MIV 150	Mounting plate (Galvanized steel)				





SCATTERGOOD & JOHNSON LTD

ELECTRICAL ENGINEERING & FLUID CONTROL DISTRIBUTORS

Est.1899

At Scattergood & Johnson Ltd, we pride ourselves on being a technical distributor to specialist industries.

Working with a range of quality product suppliers across a number of specialist markets, we are not your average 'box shifter' - we are your technical and supply chain partner.

We fully support every product we sell - for free! Our internal team and external sales engineers can answer any product or application question, no matter the complexity.

Backing up this technical ability is a range of 50,000+ products available from stock for nationwide next day delivery (same day if required!), or you can collect what you need from any of our trade counters around the UK.

Select your specialist interest below to learn more about how we can help.



Online, In Branch and On the Road - Scattergood & Johnson Ltd, there when you need us.

www.scatts.co.uk