

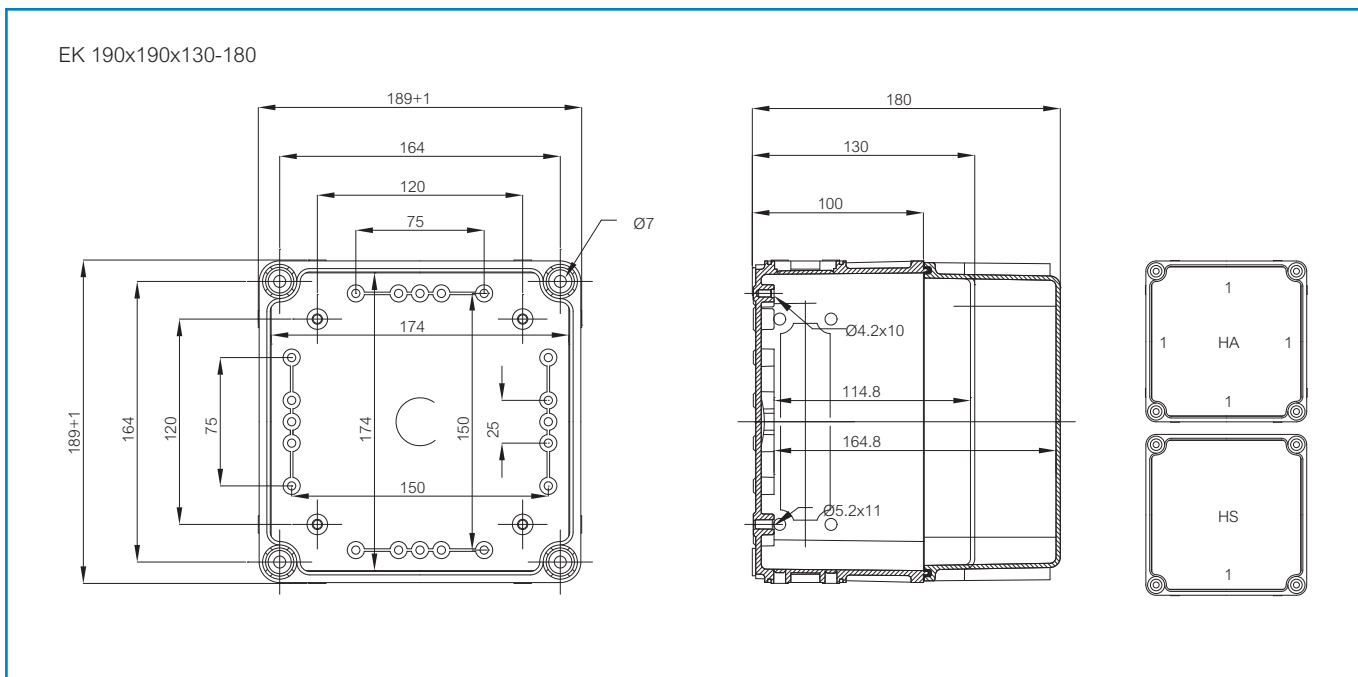
**EK EKH 30-G**

**Order symbol:** EKH 30-G  
**Product nbr:** 3730147  
**Description:** Cover  
**Remarks:** Grey, PC

**EAN:** 6418074000200  
**EI. number:**  
 Finland: 3420151  
 Electric No. Denmark: 8212007026  
 Electric No. Italy: 7590150  
 Electric No. Sweden: 2537852  
 Electric No. Norway: 2536236

Including:

Dimensions:				Accessories:	
	Length	Width	Height		
mm:	190	190	30	EKHS	Base, PC
inch:	7.5	7.5	1.2	EKH 80-G	Cover
<b>Materials:</b>				EKH 30-T	Cover
<b>Material:</b>	Polycarbonate			EKH 80-T	Cover
<b>Gasket material:</b>	Polyurethane			EKHVT	Mounting plate
<b>Temperatures:</b>				EKHXT	Mounting plate isolated
<b>Temperature °C (short term):</b>	-40 ... 120 °C			EKV 12	DIN-35 Mounting rail
<b>Temperature °C (continuous):</b>	-40 ... 80 °C			<b>Rating:</b>	
<b>Temperature °F (short term):</b>	-40 ... 250 °F				
<b>Temperature °F (continuous):</b>	-40 ... 175 °F				
<b>Accessories:</b>					
EKHA	Base, PC				





# SCATTERGOOD & JOHNSON LTD

ELECTRICAL ENGINEERING & FLUID CONTROL DISTRIBUTORS

Est.1899

At Scattergood & Johnson Ltd, we pride ourselves on being a technical distributor to specialist industries.

Working with a range of quality product suppliers across a number of specialist markets, we are not your average 'box shifter' - we are your technical and supply chain partner.

We fully support every product we sell - for free! Our internal team and external sales engineers can answer any product or application question, no matter the complexity.

Backing up this technical ability is a range of 50,000+ products available from stock for nationwide next day delivery (same day if required!), or you can collect what you need from any of our trade counters around the UK.

Select your specialist interest below to learn more about how we can help.



Online, In Branch and On the Road - Scattergood & Johnson Ltd, there when you need us.

# [www.scatts.co.uk](http://www.scatts.co.uk)